

# Autonomous

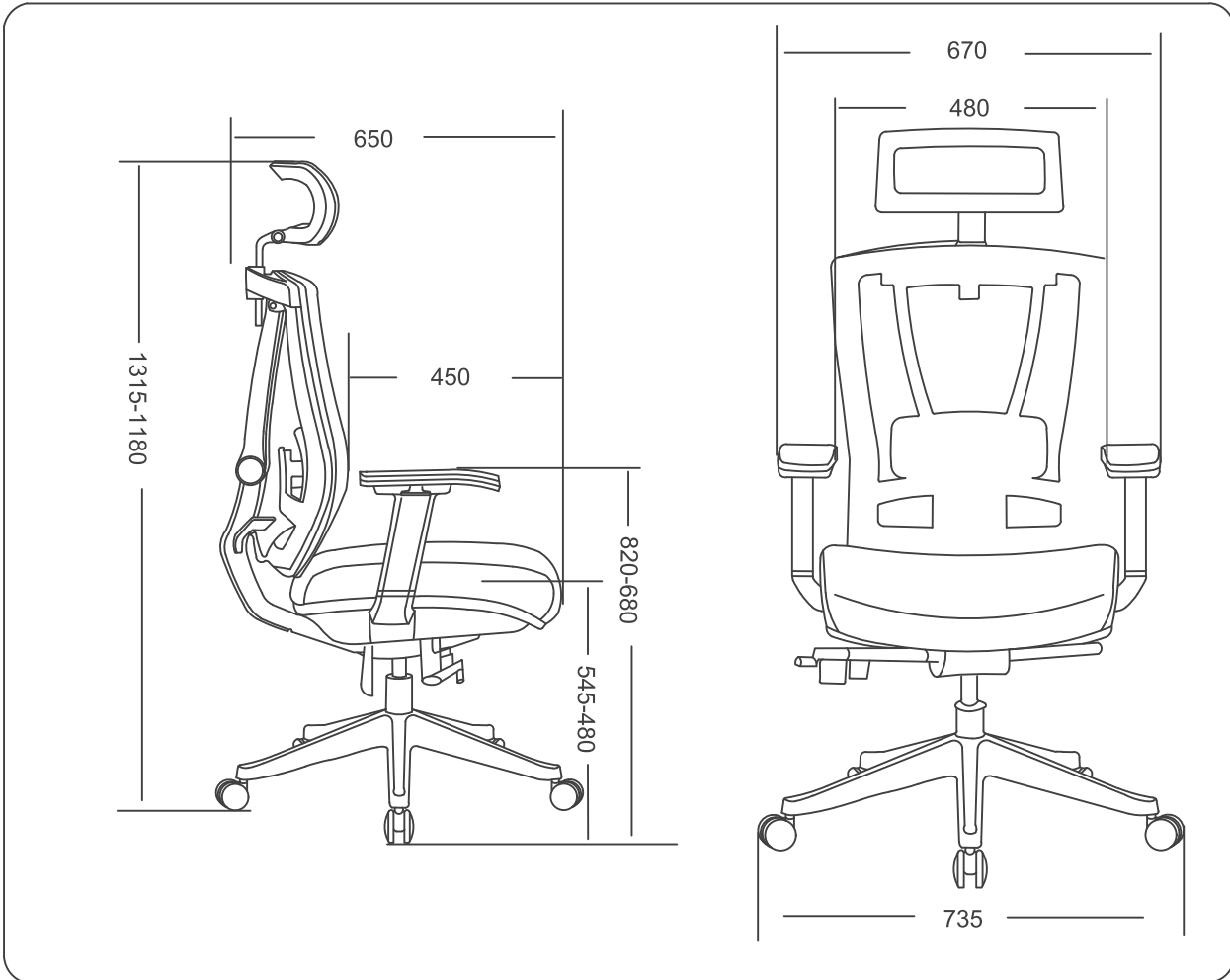
## ErgoChair Pro







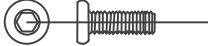
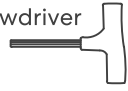
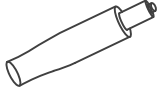


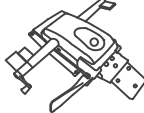






## Assembly Instructions

# OVERALL SIZE

UNIT:MM

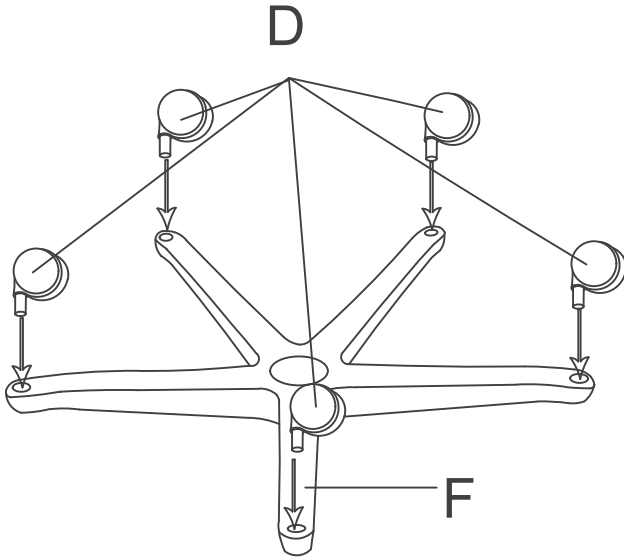


## PARTS LIST

(A) Backrest 	(B) Headrest 	(C) Seat 	(D) 5 x Castor Wheels 	(I) 4 x M8*25mm Bolt 	(M) 1 x Screwdriver 
(E) Gas Lift 	(F) Base 	(G) Armrest 	(H) Control Mechanism 	(J) 3 x M6*22mm Screws 	(N) 7 x Ø6*14*1.5mm Washers 
				(K) 7 x M6*35mm Bolt 	(O) 8 x Ø8*17*1.5mm Washers 
				(L) 5 x M8*60mm Bolt 	(P) 8 x M8 Spring Lock Washers 

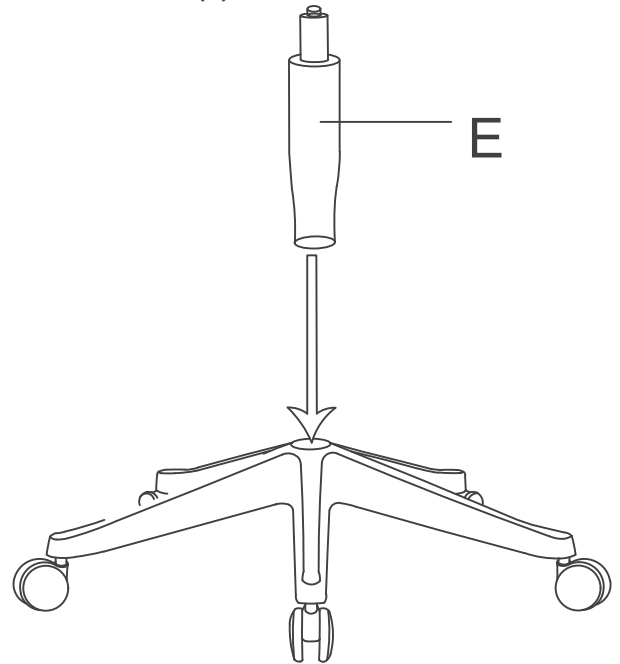
## Step 1

Flip Base (F) upside down.  
Insert Castor Wheel (D) into each of the  
5 legs and push down firmly.



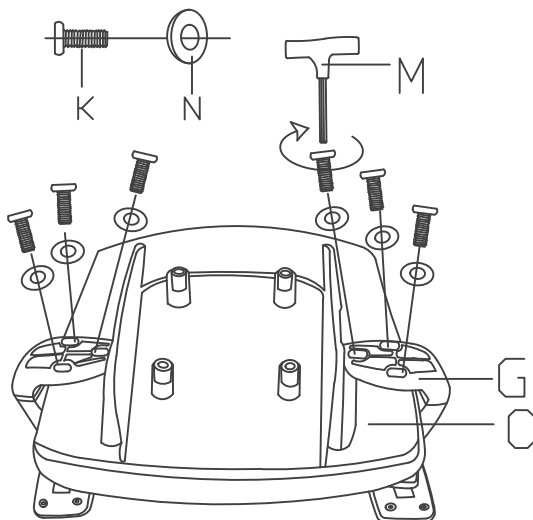
## Step 2

Flip Base (F) back up.  
Insert Gas Lift (E) into the centre of the base.



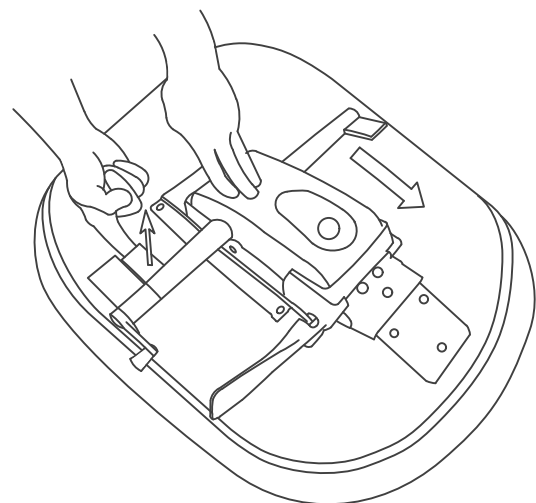
## Step 3

Take both R+L Armrests (G) and attach  
underneath the Seat Pan (C) using the  
Bolts (K), Washers (N), and Screwdriver (M)  
provided.



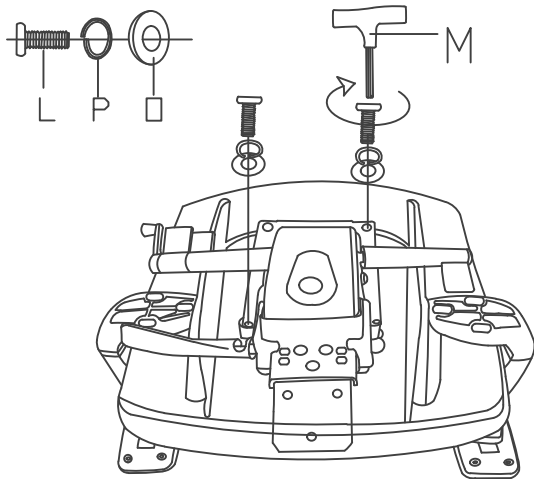
## Step 4

Place Control Mechanism (H) on the  
underside of the Seat (C) as shown in the  
diagram below and push into place as  
indicated by the direction of the large  
arrow in the diagram.



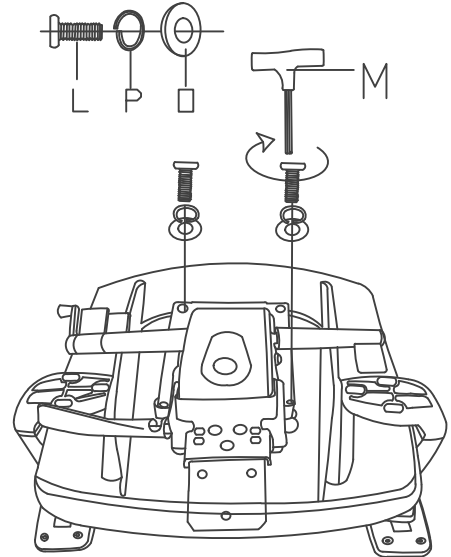
## Step 5

Attach Control Mechanism (H) to Seat (C):  
Insert Bolts (L) together with Spring Lock Washers (P) and Washers (O) into diagonally opposite holes as indicated in the diagram below. Tighten bolts using Screwdriver (M) provided.



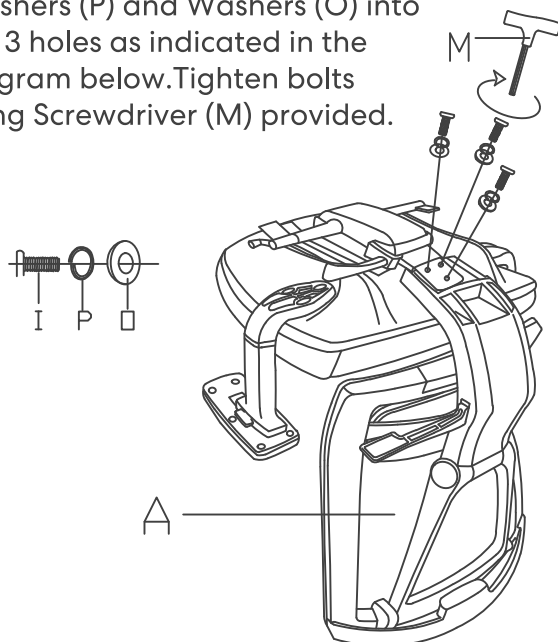
## Step 6

Repeat Step 5 with the 2 remaining holes.



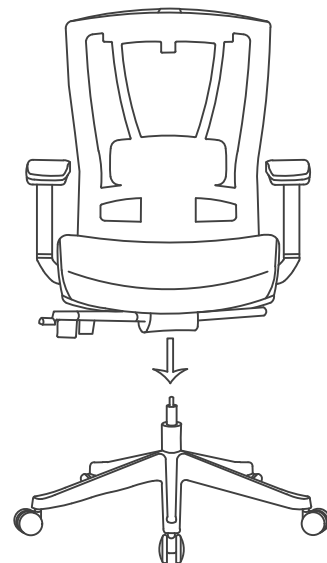
## Step 7

Attach Backrest (A) to the Seat (C):  
Insert Bolts (I) together with Spring Lock Washers (P) and Washers (O) into the 3 holes as indicated in the diagram below. Tighten bolts using Screwdriver (M) provided.

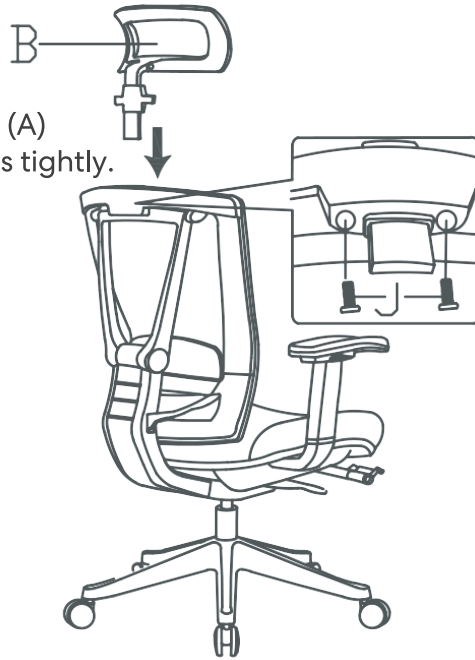


## Step 8

Once the Backrest (A), Seat (C), Armrests (G), and Control Mechanism (H) have been firmly attached and secured. Lower onto the previously assembled Gas Lift Base.



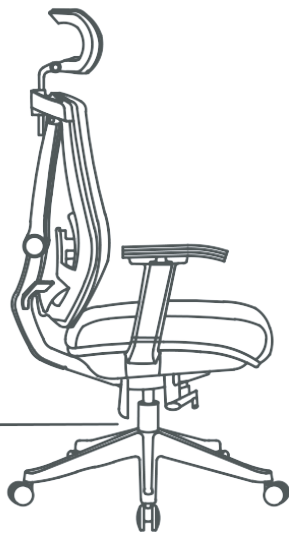
## Step 9



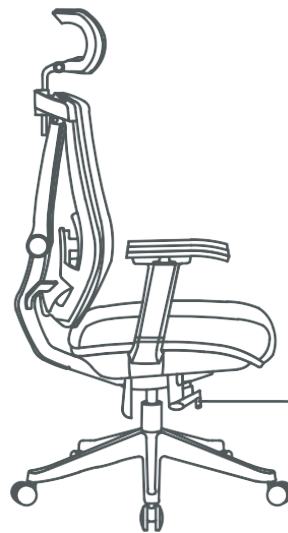
Attach Headrest (B) to Backrest (A) using 2 Screws (J). Fasten screws tightly.

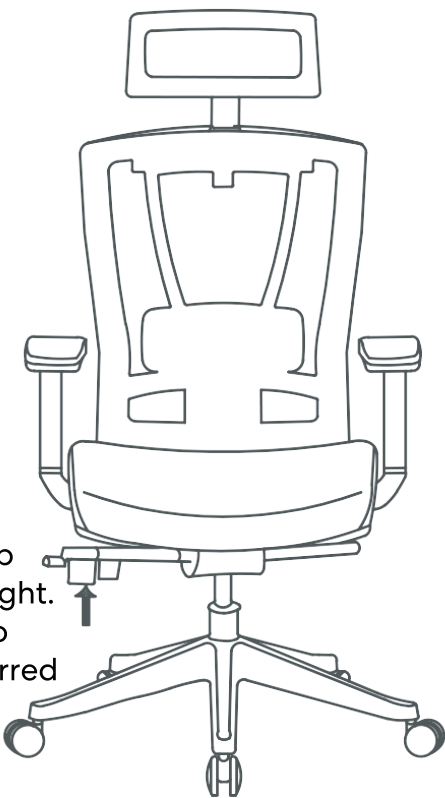
## Function Guide

Flip this handle clockwise to activate seat tilt function. To lock your preferred seat position, flip handle counter-clockwise.

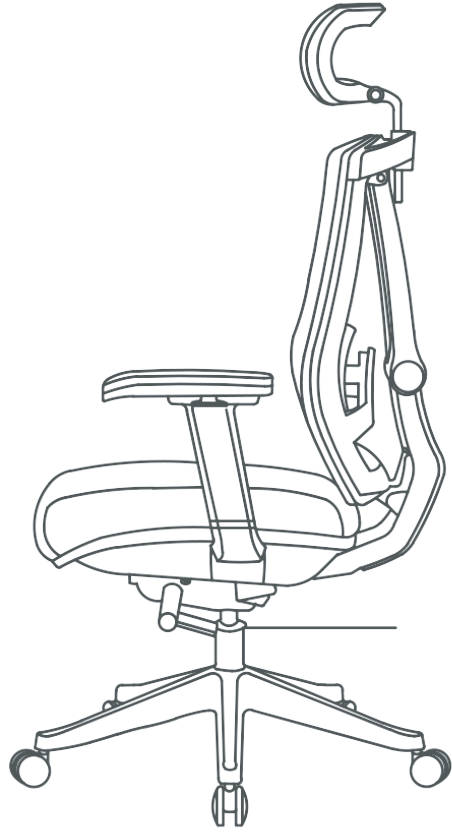


Rotate this handle clockwise to increase back tilt tension. To decrease back tilt tension, rotate handle counter-clockwise.



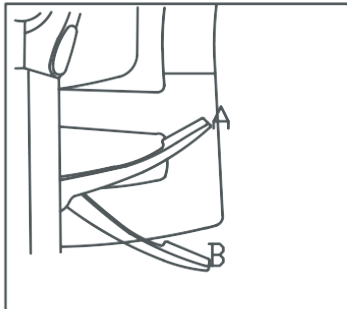


Pull this handle up to adjust seat height. Release handle to lock in your preferred seat height.

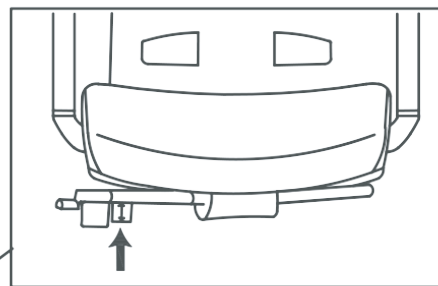


Push this handle down to activate Backrest tilt function. Lean back to find your preferred angle then pull handle back up to lock in position.

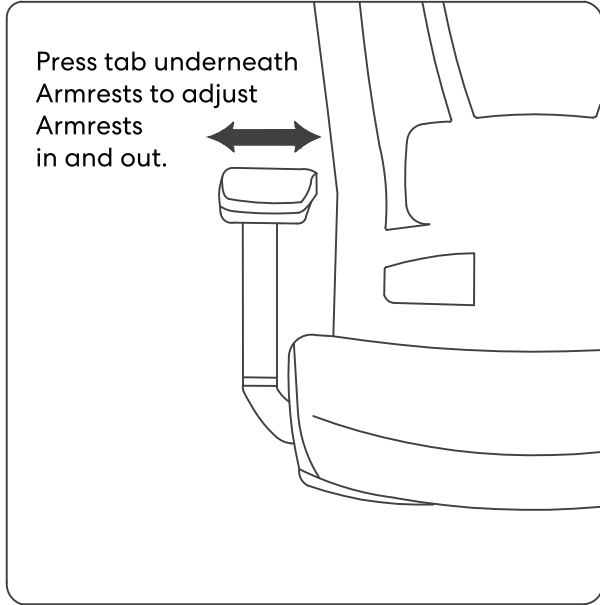
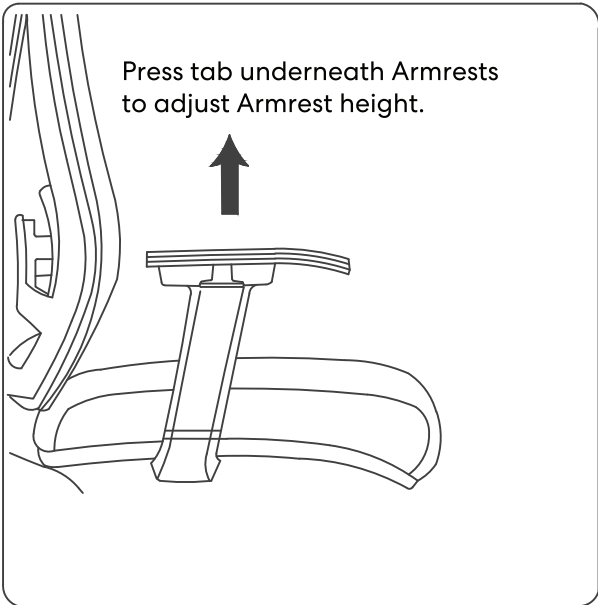
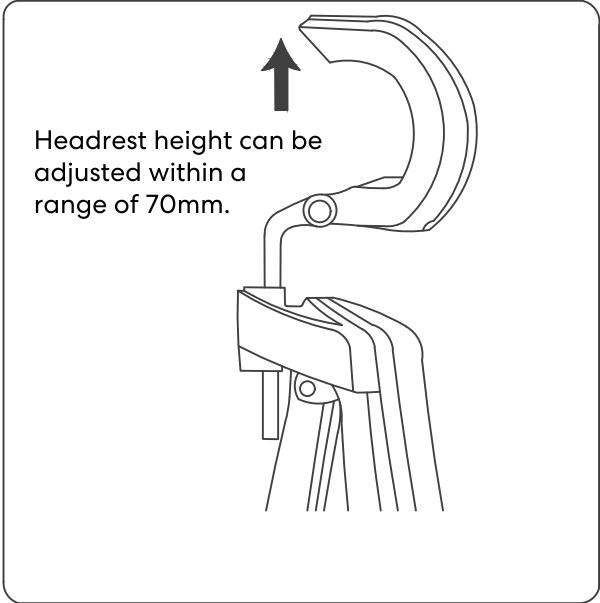
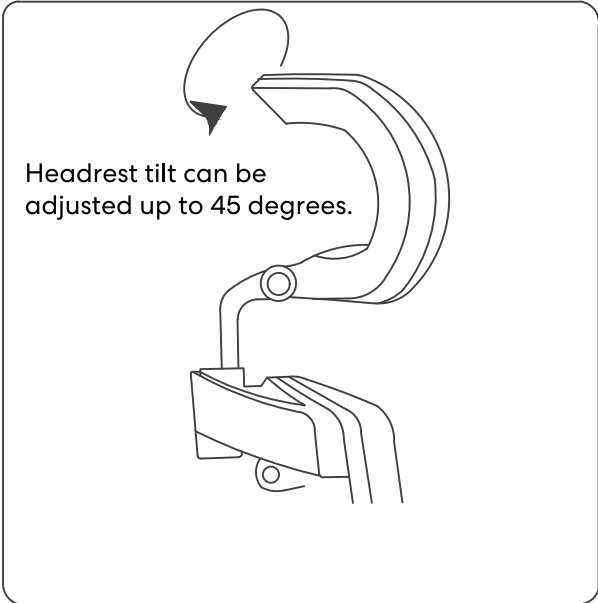
This lever is to adjust your lumbar support.



A is the locked position.  
B is the unlocked position.



Push this handle up to adjust the Seat Pan forward up to 60mm. Release handle to lock into position.



# WARNING

**Failure to follow these instructions thoroughly may result in serious injury.**

1. This product is for sitting only. Do not stand on the seat.
2. Do not use this product unless all bolts and parts are firmly tightened and secure.
3. If any parts are missing, damaged, or worn, request for replacement parts from the manufacturer before using the product.
4. Do not sit on the armrest of this product.
5. This product is designed to seat only one person at a time.
6. Children under 10 may require assistance and supervision to use this product.

# Autonomous

## ErgoChair Pro

9469-5 Opal Ave.- Mentone, CA 92359

[www.autonomous.ai](http://www.autonomous.ai)

[human@autonomous.ai](mailto:human@autonomous.ai)