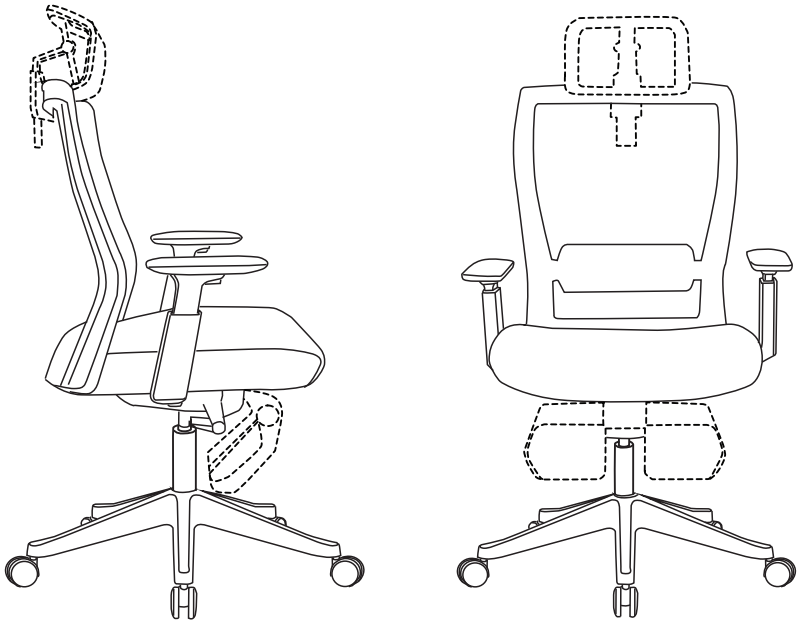


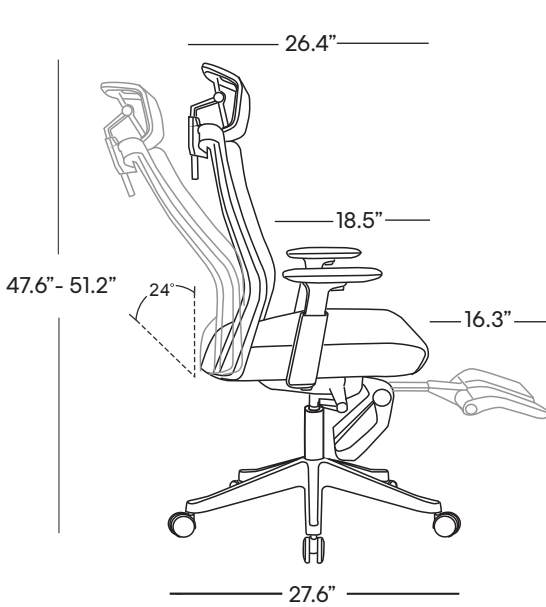
# Autonomous

smart office

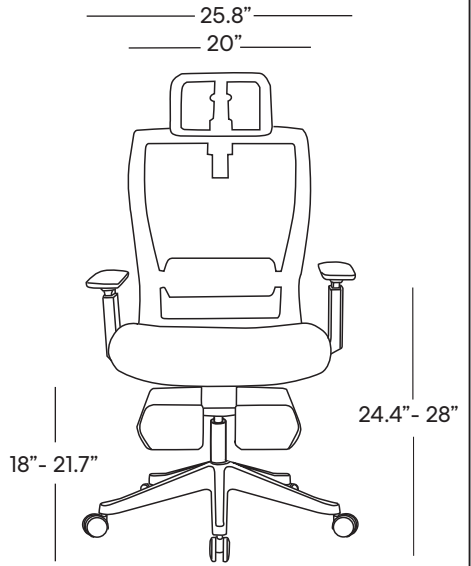


# ErgoChair Core

Assembly Instructions



Side view



Front view

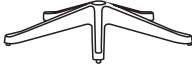
OVERALL SIZE

# — ErgoChair Core —

# PART LIST

## COMPONENTS

A



B



C



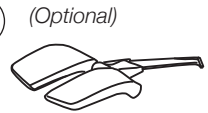
D



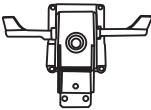
E



F



G



H



I

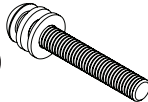


## HARDWARE/ TOOLS

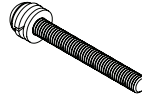
J



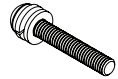
K



L



M



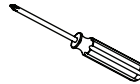
N



O



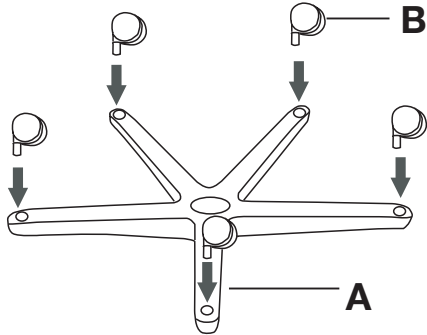
P



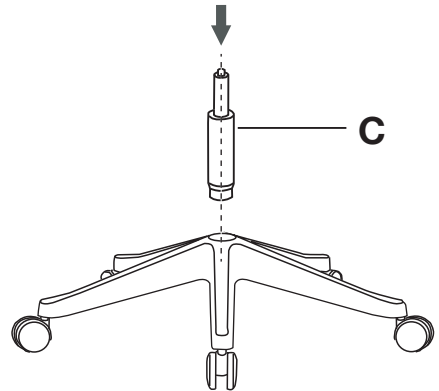
A	Base x 1	G	Mechanism x 1	M	Combo Machine screws (M6x40) x 8
B	Casters x 5	H	Backrest x 1	N	Machine screws (M6x8) x 2
C	Gas lift x 1	I	Headrest x 1	O	Screws M5 x 2
D	Seat x 1	J	Speed Wrench x 1	P	Screwdriver x 1 (with Gas lift)
E	Armrest x 1	K	Combo Machine screws (M8x55) x 3		
F	Leg rest x 1	L	Combo Machine screws (M6x55) x 2		

## Step 1

Insert 5 Wheels to the holes on each prong of chair Base.

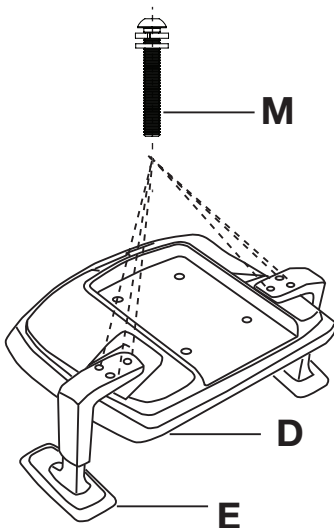


## Step 2



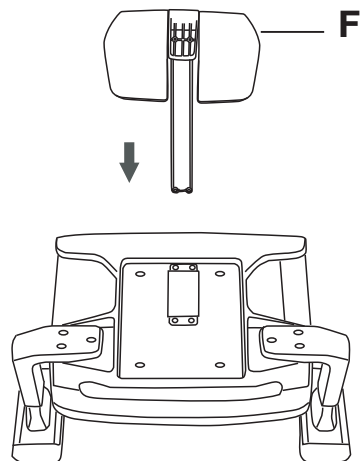
For full-option ErgoChair Core, please follow Step 4 and Step 5 to install the leg rest before tightening the mechanism to the seat. Otherwise, please skip these two steps if you own a basic ErgoChair Core.

## Step 3



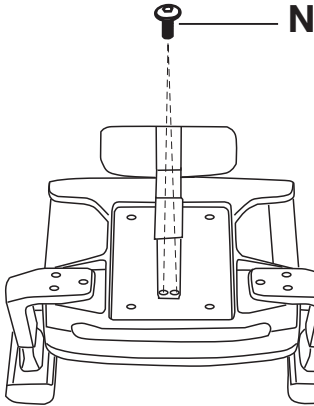
## Step 4

Screws pre-installed on the leg rest.



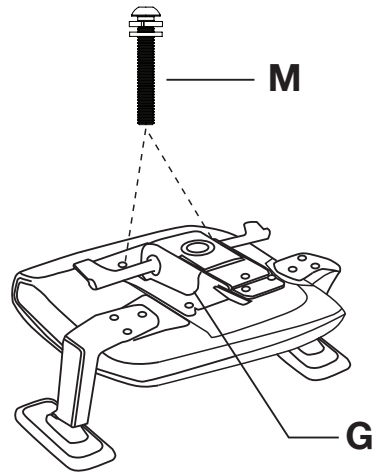
## Step 5

The N screws are ready on the leg rest. Slot the base of the leg rest through the support bracket, and tighten the screws into place.



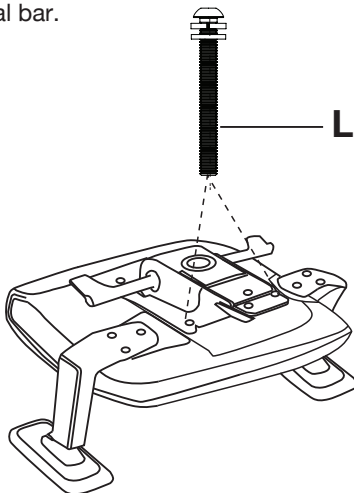
## Step 6

Prepare 2 combos of M. Tighten the combo into the metal bar and the seat bottom.



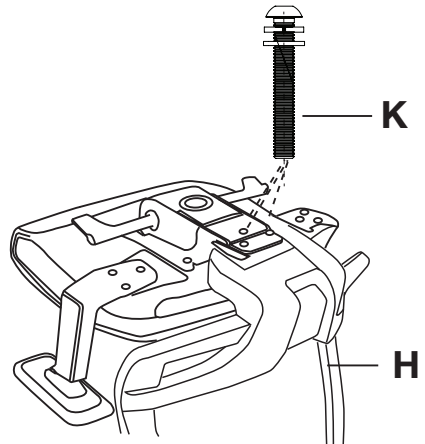
## Step 7

Prepare 2 combos of L. Tighten screws remaining in the metal bar.



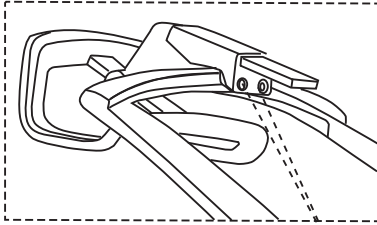
## Step 8

Prepare 3 combos of K. Tighten screws, connect the metal bar with the base of the backrest.

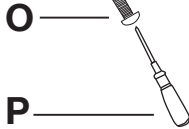


## Step 9

For full-option ErgoChair Core, please follow Step 9 to install the headrest to backrest.

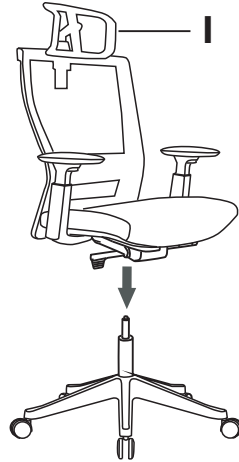


The screws are ready on the headrest. Tighten the screws when it is in position.



## Step 10

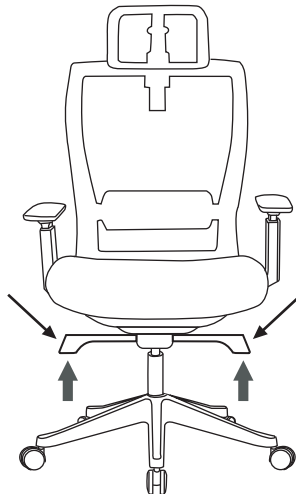
From the top, lift down slightly the seat into the base, connect by the center hole.



*Congratulations! You've done the assembly. Enjoy your ErgoChair Core now.*

## Function

**Right side.**  
Pull the handle up to adjust the seat height.

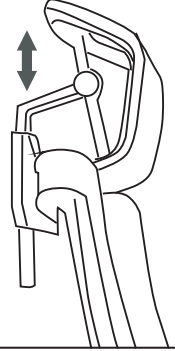


**Left side.**  
This handle controls the backrest's angle.  
**Pull up:** release  
**Push down:** lock

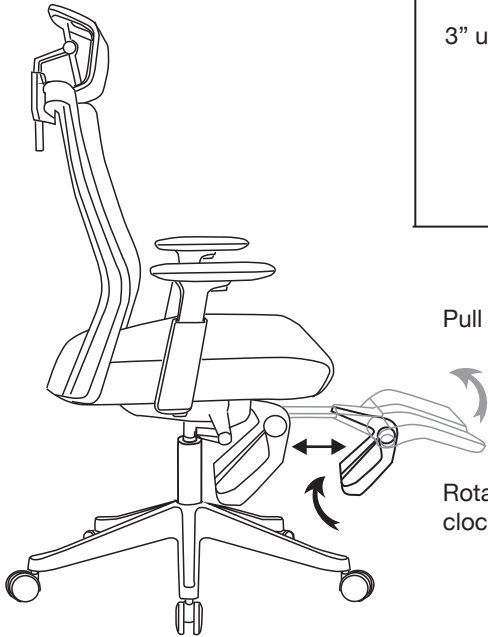
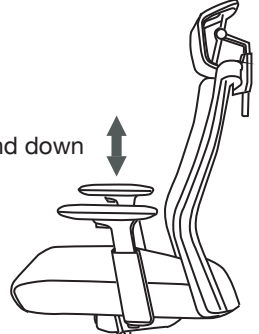
25 degrees adjustment



3" up and down



3" up and down



Pull the leg rest out.

Rotate the leg rest clockwise before use.

# WARNING

## FAILURE TO FOLLOW THESE INSTRUCTIONS MAY RESULT IN INJURY.

1. This product is designed for seating only, do not stand on this product. Do not use it as a step ladder.
2. Do not use this product unless all bolts and parts are firmly tightened.
3. If any parts are missing, damaged or worn, stop using this product. Repair the product with the replacement parts from manufacturer.
4. Do not sit on the armrest of this product.
5. This product is designed for one person sitting at a time.
6. Keep out of reach of children under the age of 10 unless assistance from an adult is provided.

# $\lambda$ utonomous



**Autonomous-Smart office**  
Smart Office  
21800 Opportunity Way, Riverside, CA 92508  
[www.autonomous.ai](http://www.autonomous.ai)  
[human@autonomous.ai](mailto:human@autonomous.ai)