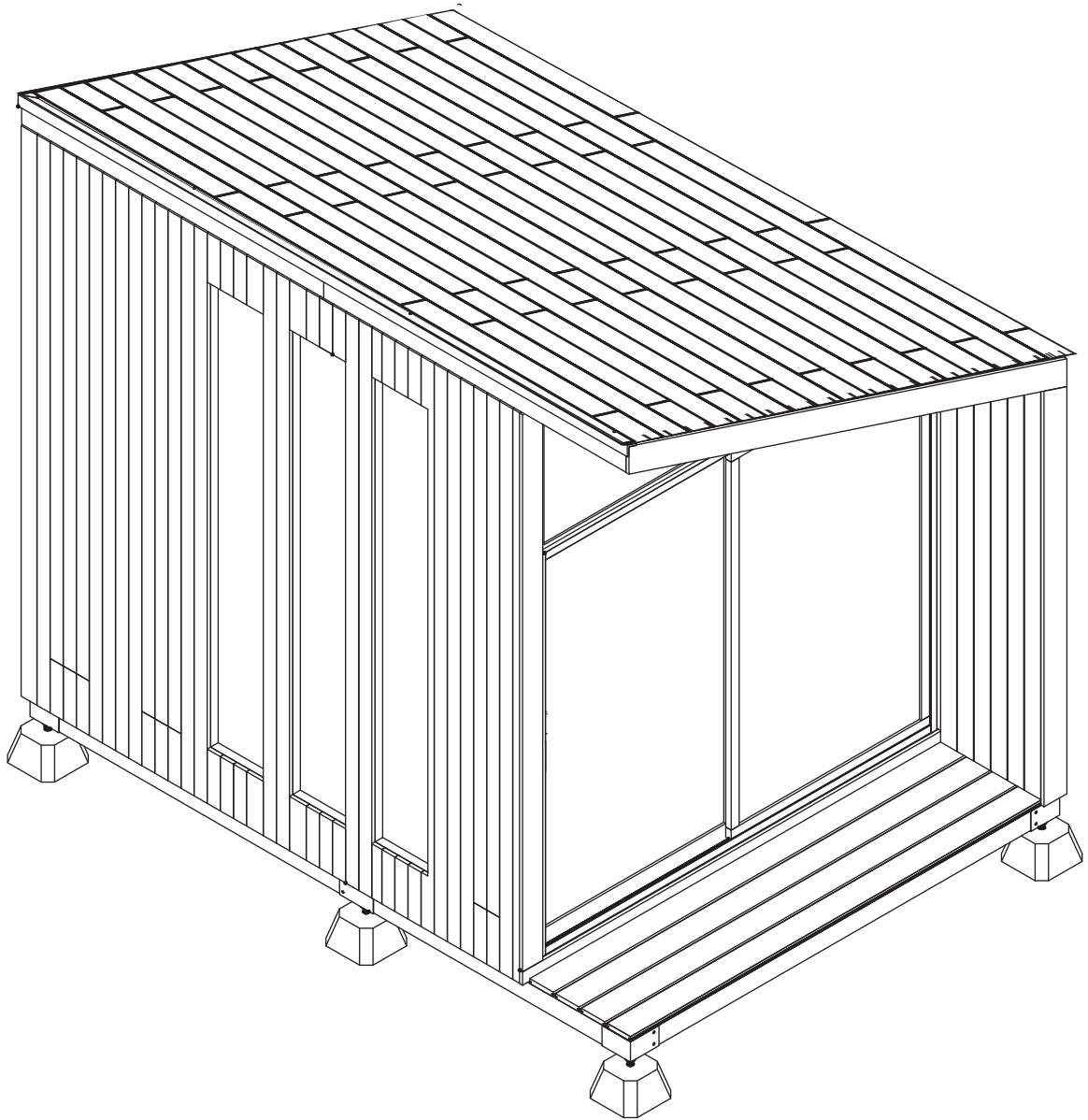


WorkPod

Windows location: **Left side**

How to build yours.

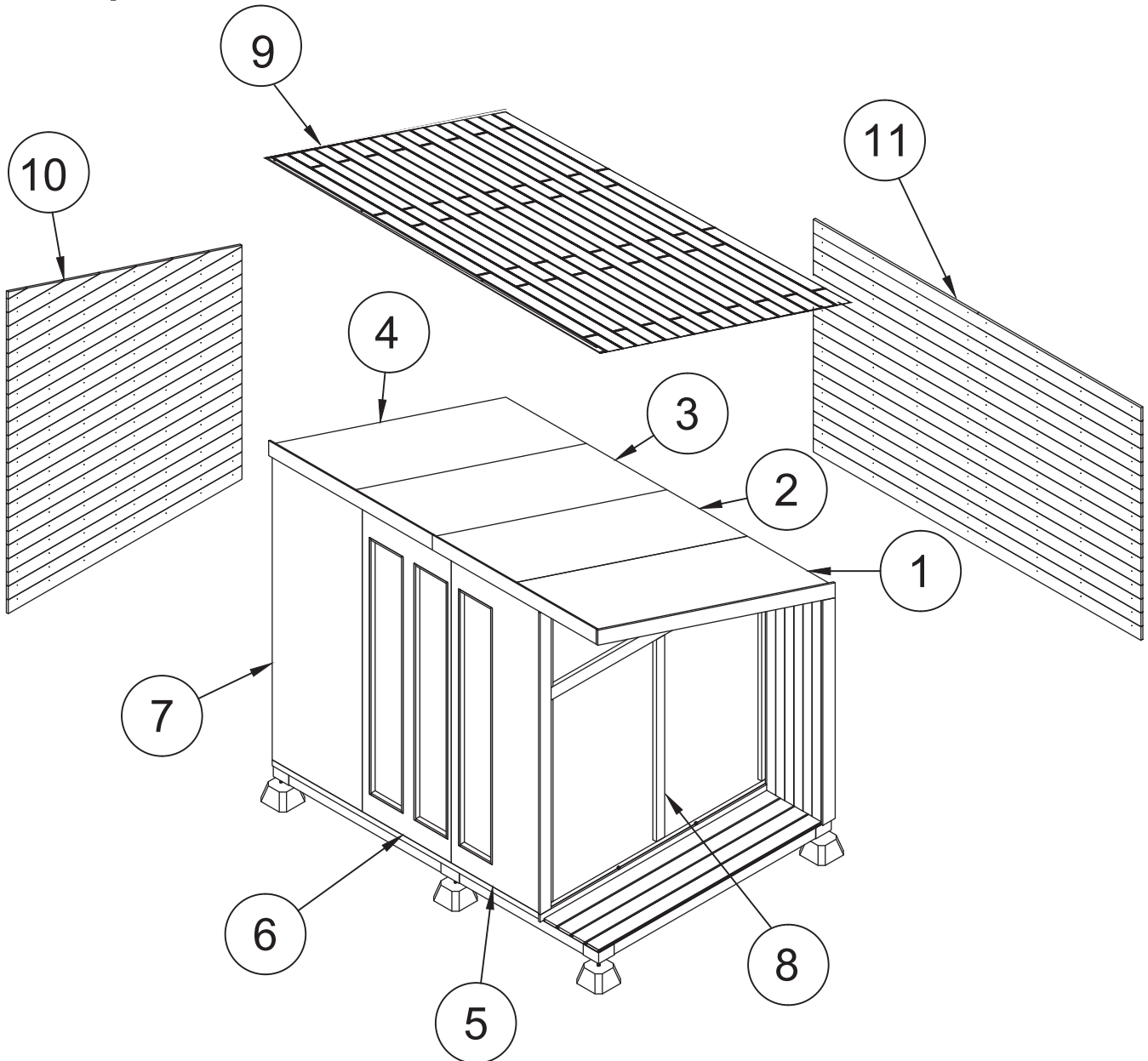


Hello from the Pod team!

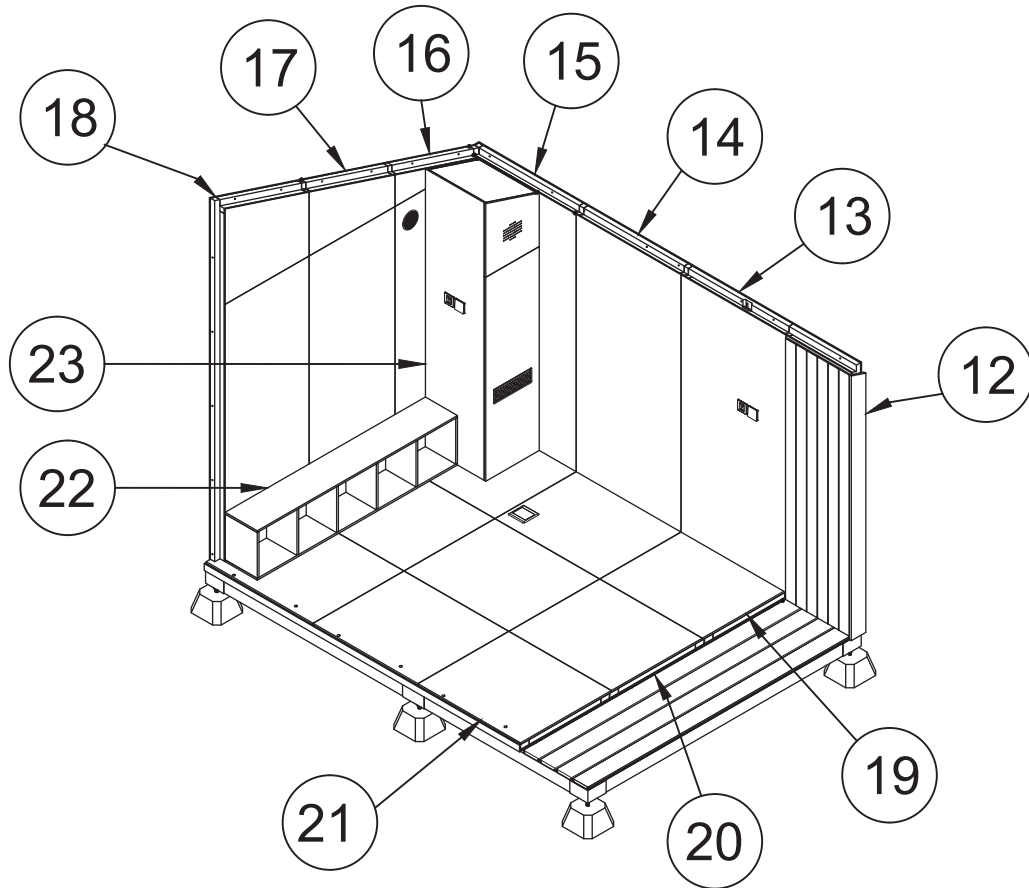
Here's how it all comes together.

In this document, you'll find notes on assembly, step-by-step instructions, a list of included tools, and detailed drawings of all components. If you have any follow up questions, you can reach us anytime at human@autonomous.ai. We can't wait for you to step into your new Pod!

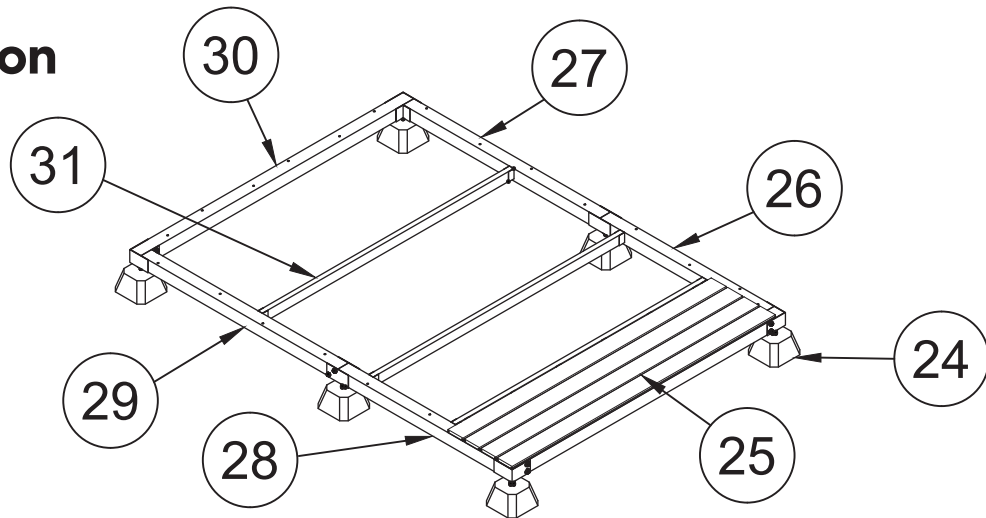
Components



No	Part name	SKU	No	Part name	SKU
1	Roof A	A330-P19	7	Right wall C	A330-P12
2	Roof B	A330-P20	8	Glass door	A330-P2A, A330-P2B
3	Roof C	A330-P21	9	Roof shingle	n/a
4	Roof D	A330-P22	10	Back cover	n/a
5	Right wall A	A330-P10	11	Left cover	n/a
6	Right wall B	A330-P11			



Foundation



No	Component	SKU	No	Component	SKU
12	Left wall A	A330-P6	22	Bookshelf	A330-P24
13	Left wall B	A330-P7	23	Electrical cabinet	A330-P23
14	Left wall C	A330-P8	24	Concrete base	A330-P1
15	Left wall D	A330-P9	25	Front frame	A330-P3A
16	Back wall A	A330-P13	26	Left frame A	A330-P4A
17	Back wall B	A330-P14	27	Left frame B	A330-P5A
18	Back wall C	A330-P15	28	Right frame A	A330-P4B
19	Floor A	A330-P16	29	Right frame B	A330-P5B
20	Floor B	A330-P17	30	Back frame	A330-P3B
21	Floor C	A330-P18	31	Frame	A330-P3C

Checking list

Crate	Package delivery	Qty	SKU	Components inside	Qty	SKU
A330-A	Concrete base	6	A330-P1			
	Left wall A	1	A330-P6			
	Left wall B	1	A330-P7			
	Left wall C	1	A330-P8			
	Left wall D	1	A330-P9			
	Steel frame	1	A330-P4	Right frame A	1	A330-P4B
				Left frame A	1	A330-P4A
	Steel frame	1	A330-P5	Right frame B	1	A330-P5B
				Left frame B	1	A330-P5A
	Electrical cabinet	1	A330-P23			
	Book shelf	1	A330-P24			
	Housewrap	1	n/a			
	Bitumen tape 4"	2	A330-P27A			
	Bitumen tape 6"	1	A330-P27B			
Ceiling light	1	A330-P32				
Power cord	1	A330-P33				
A330-B	Right wall A	1	A330-P10			
	Right wall B	1	A330-P11			
	Right wall C	1	A330-P12			
	Roof B	1	A330-P20			
	Roof C	1	A330-P21			
	Roof D	1	A330-P22			
	Steel frame	1	A330-P3	Front frame	1	A330-P3A
			Back frame	1	A330-P3B	
			Frame (package inside the back frame)	1	A330-P3C	
Glass door	1	A330-P2A	Sliding door			
Toolbox	1	A330-P29				
A330-C	Back wall A	1	A330-P13			
	Back wall B	1	A330-P14			
	Back wall C	1	A330-P15			
	Floor A	1	A330-P16			
	Floor B	1	A330-P17			
	Floor C	1	A330-P18			
	Roof A	1	A330-P19			
	Glass door	1	A330-P2B	Triangle windows and door frames		
	Composite Cover	1	A330-P28			
	Housewrap	1	A330-P30			
	Trim Cover	1	A330-P31			
	Cover - Black	1	A330-P26	Composite cover	A330-P28	
				Vinyl Sliding - Black	A330-P34	
				Metal Trim	A330-P31	

Preparation

Pod was specifically engineered to be DIY friendly but if you're a complete novice or feeling somewhat unsure, it can be helpful to have a spare pair of hands to help. Feel free to give us a call anytime, too. For optimal results, we recommend hiring professional help to assemble your Pod.

1. Receive Pod

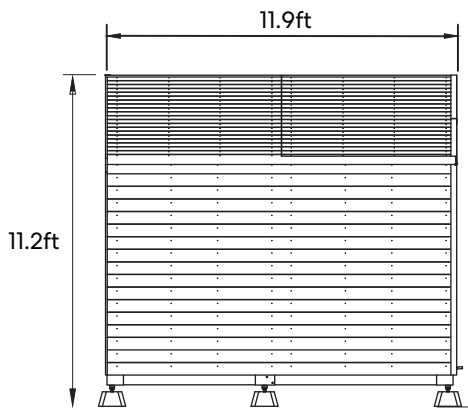
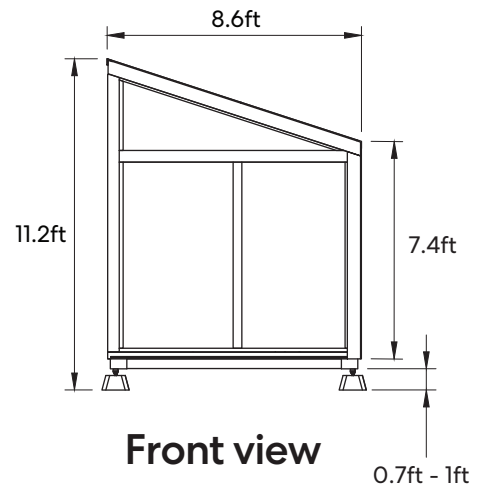
Pod will arrive by truck in 4 wooden crates. Packages inside weighing between 80 - 200 lbs. The largest package is about 82" in length and 50" in width, so please ensure there is a clear pathway with sufficient space.

2. Choose a location

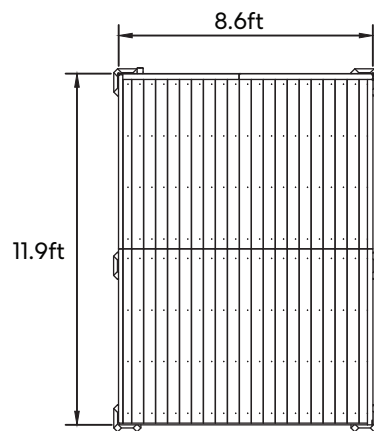
Select a location with good ventilation, plenty of clear space, and a solid surface.

Pod will be about 11.2ft in height once assembled, so make sure there aren't any trees in the way. The foundation is 11.9ft by 8.6ft, so for a comfortable fit, we recommend an area around double of that - 24ft by 17ft.

Most backyard surfaces are suitable, including soil, brick, concrete, gravel, grass, etc., - but please make sure there is as low a risk as possible of subsidence.



Side view



Top view

3. Tools & Equipment

No	Description	Qty
Pod Included:		
1	Level ruler 40"	1
2	Tap measure 16'	1
3	Silicone gun	1
4	Silicone sealant (clear)	2
5	Rubber mallet	1
6	Connector Bolts - 1/4" x 2 - 3/4"	80
7	Bolt & Nut - 5/16" x 5"	14
8	Bolt & Nut - 3/8" x 6"	3
9	Bolt & Nut - 3/8" x 10"	20
10	Wood screw #8 x 1 - 37/64"	500
11	Black screw #8 x 1 - 37/64"	30
12	Hex drill bit - 5/32"	2
13	Hex key - 5/32"	2
14	Outlet cover	1
15	Screwdriver	1

No	Description	Qty
16	Drill bit 3/8"	1
17	Adjustable Wrench	1
18	Wrench 11/16"	2
19	Wrench 1/2"	2
20	Paper cutter	1
21	F Clamp - 10"	1
22	Wood block	2
23	Vent cover - 5"	2
24	Vent cover - 6"	1
25	Plastic putty knife	1
26	Tape roll	2
27	Plastic cap nail	450

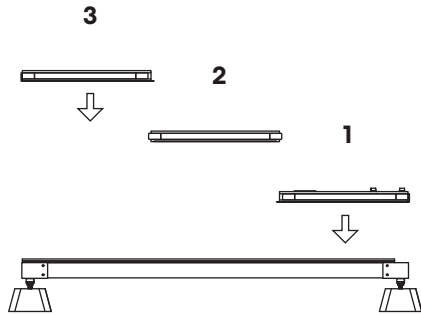
Need to prepare:

1	Electric screwdriver	2
2	Ladder 14'	1

Assembly

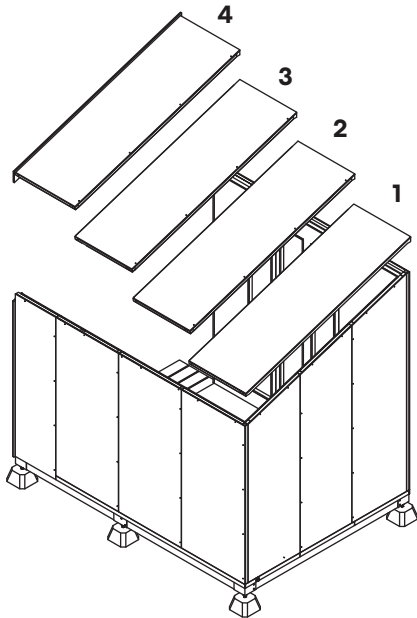
1. Floor

Install the floor in this order: Floor A - Floor B - Floor C. Take care not to collide with electrical parts on Floor A. Make sure the joints fit together and that the screw holes on the floor are aligned with the holes on the steel frame. Check that the floor is level before continuing.



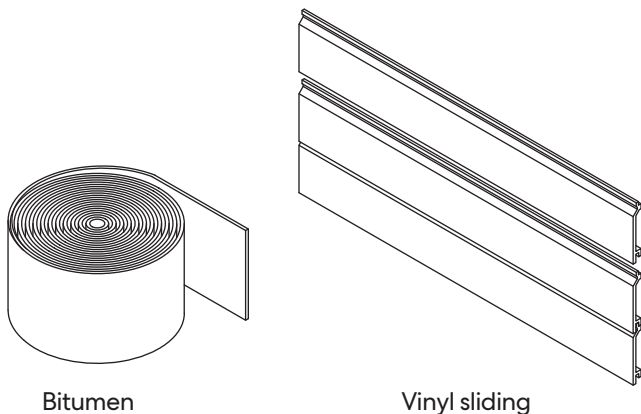
3. Roof

Install the roof in this order: Roof D - Roof C - Roof B - Roof A. Be careful with Roof A - it's the heaviest.



5. Waterproofing

Use the supplied bitumen roll & Wet cement to protect all seams between components and prevent water from entering. Install vinyl sliding to weatherproof the bitumen.



Bitumen

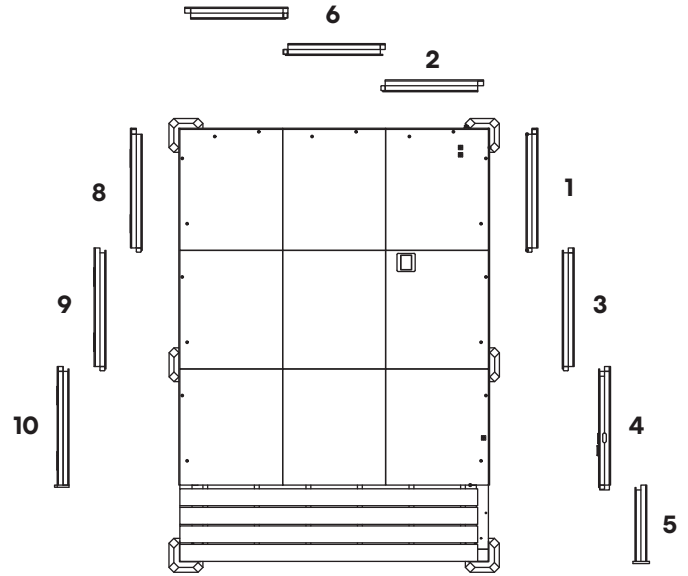
Vinyl sliding

2. Wall

Install the walls in this order: Left wall D - Back wall A - Left wall C - Left wall B - Left wall A - Back wall B - Back wall C - Right wall C - Right wall B - Right wall A.

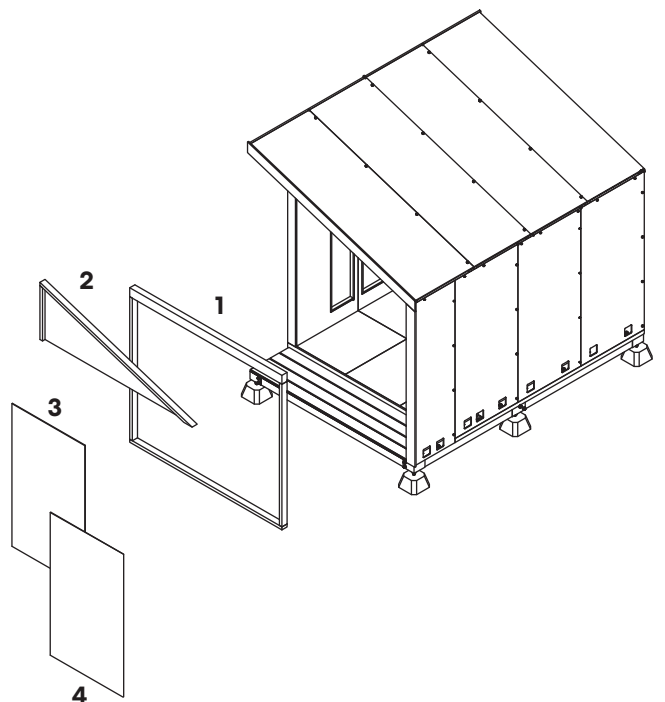
Pay special attention when installing Right wall A and Right wall B, as they contain glass on the inside. All walls must be perpendicular to the floor. Check that the seam between the two inner walls is tight before fixing with connector bolt. Remove the bitumen glue on the covers and seal after screwing.

Note: If you encounter difficulties connecting the walls with the connector bolt, use the supplied drill bit to widen the hole. **7**



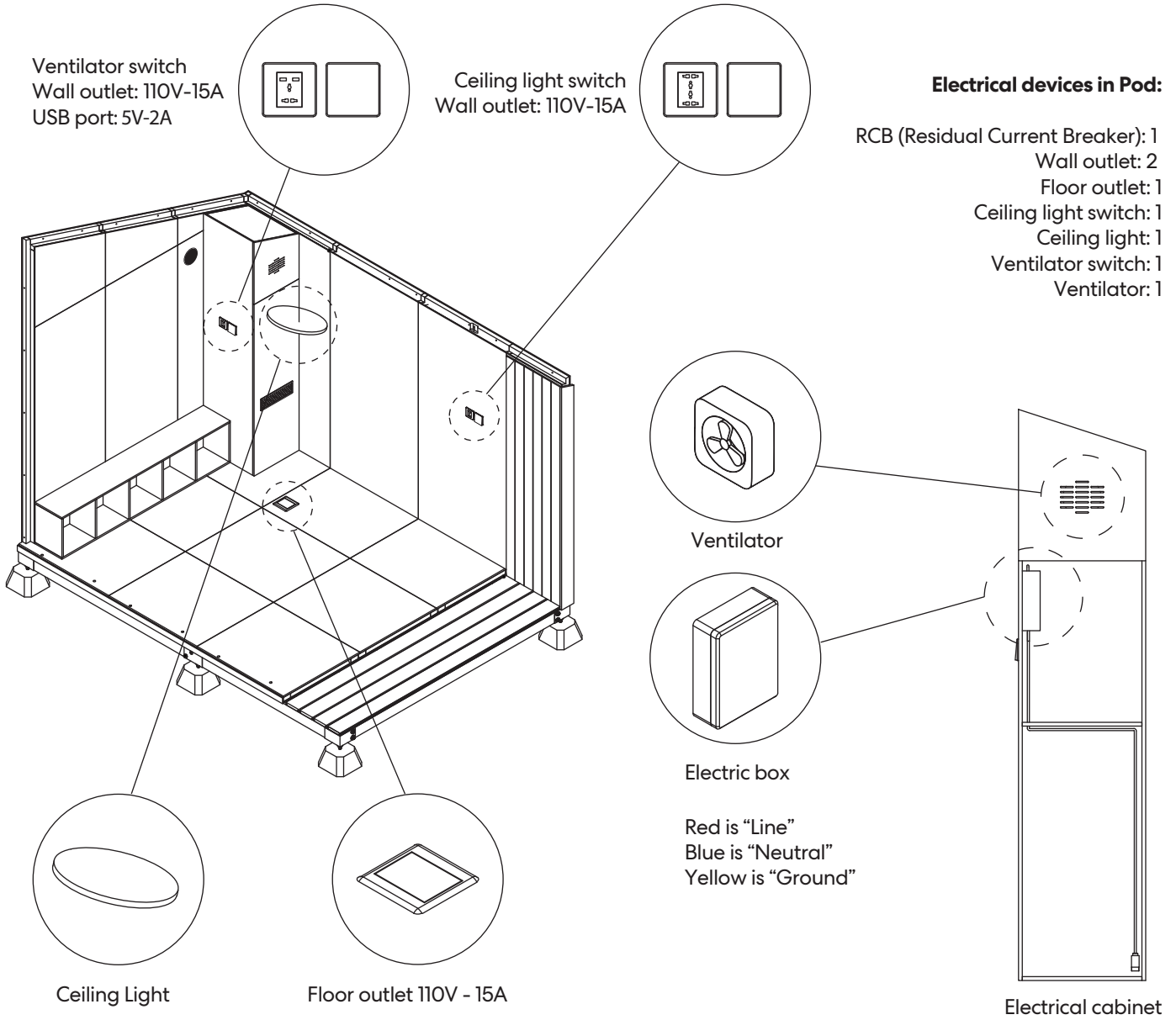
4. Glass door

Install the glass door with the handle on the inside rail, making sure all corners form 90 degree angles. Install the upper glass from inside the Pod. Spray silicone sealant around the border of the frame to prevent water from entering. Both doors should slide easily after installation.



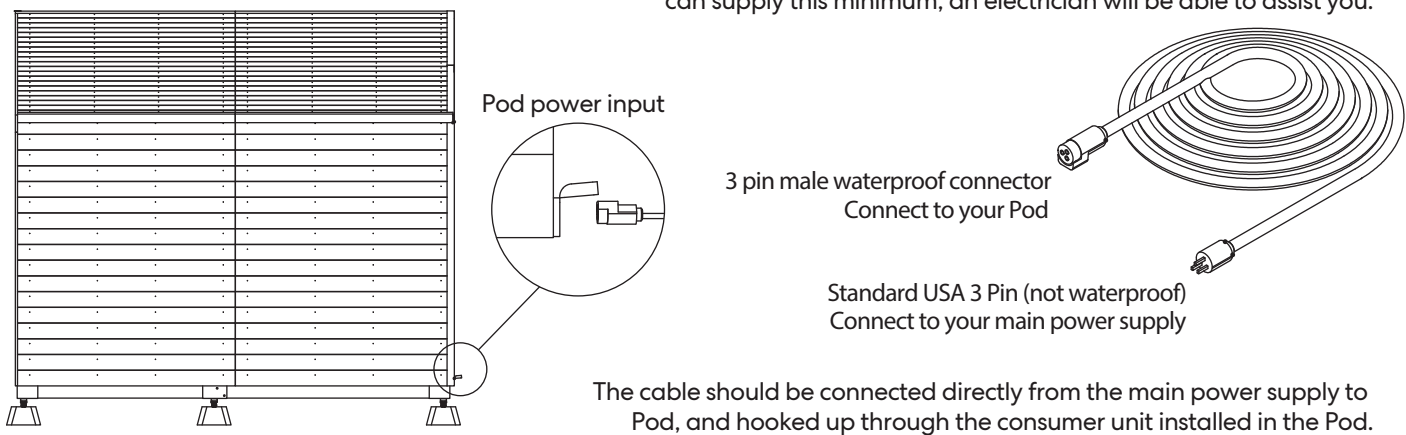
4

Electrical

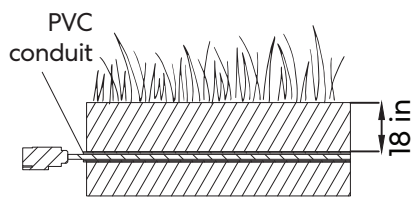


Connecting Pod to your power supply:

A 66ft power cable is provided, with 2 connectors – 1 that connects to the Pod, and one that connects to your main power supply. Your power supply should be at least 20A at 110 VAC 50Hz/60Hz. If you do not have an outlet which can supply this minimum, an electrician will be able to assist you.



The cable should be connected directly from the main power supply to Pod, and hooked up through the consumer unit installed in the Pod.



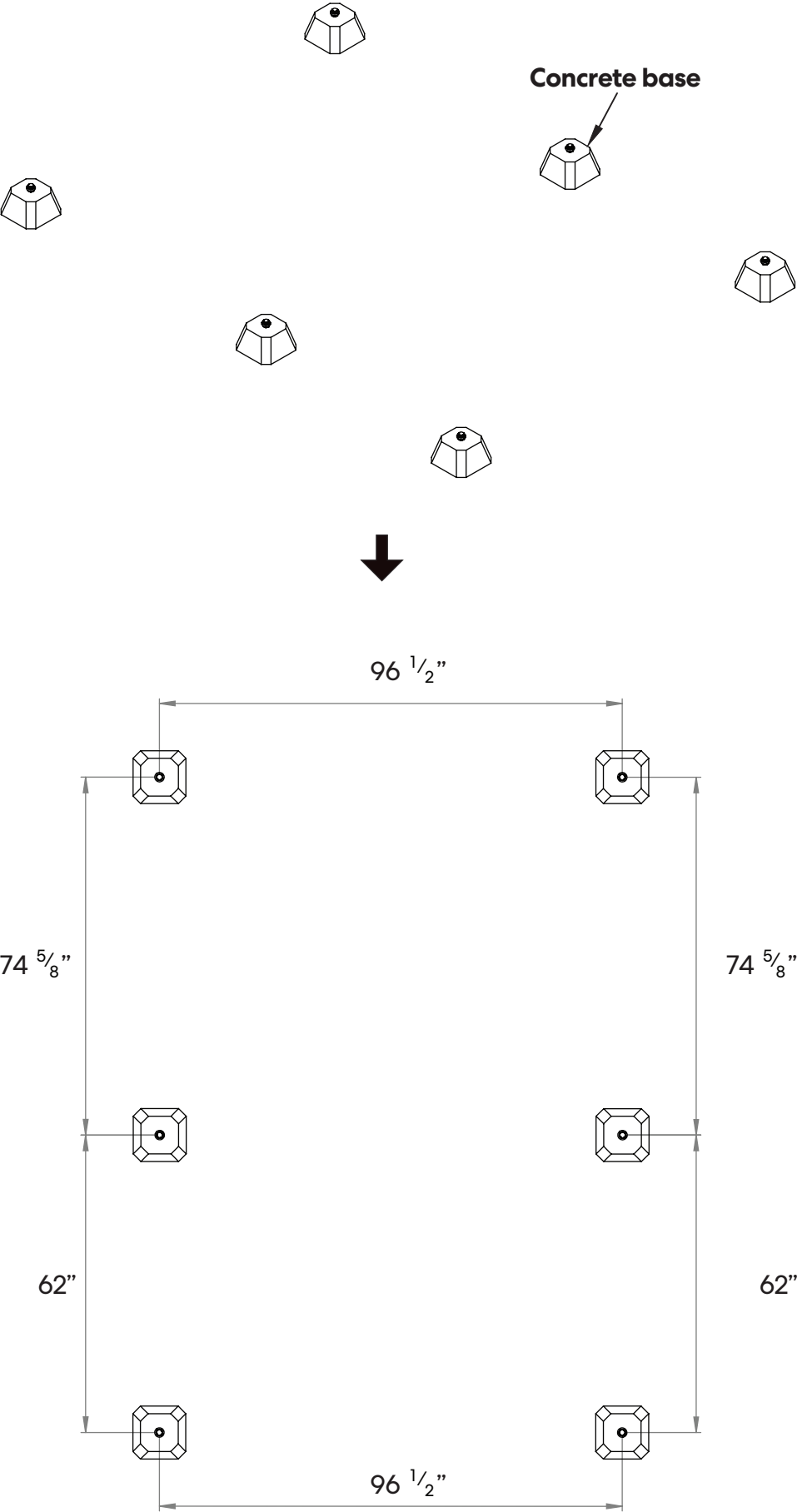
If the cable is to be buried underground*, it should be used with a PVC conduit, and buried at a depth of 18" beneath paths or patios, and 30" below grass and flower beds. If the distance between Pod and the main power supply is further than the cable (66ft), you will need an outlet extender with waterproof connectors.

Alternatively, this cable can be hung on a pole if there is only a short distance between Pod and the main power supply.

*This is not included when the customer uses the assembly service by Autonomous

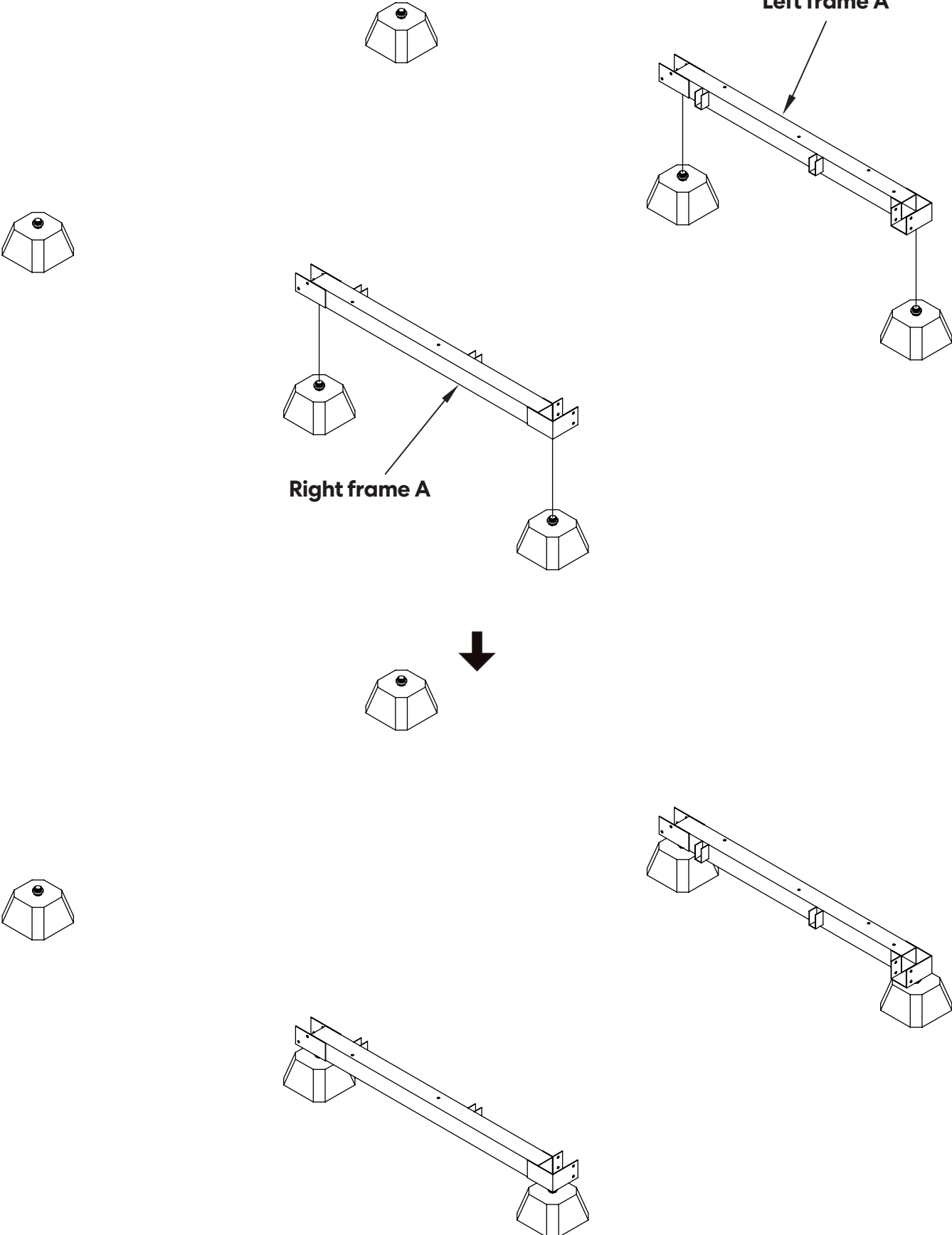
Step 1

Place the **Concrete bases** in position and make sure the distances between them adhere to the ones in the figure below.



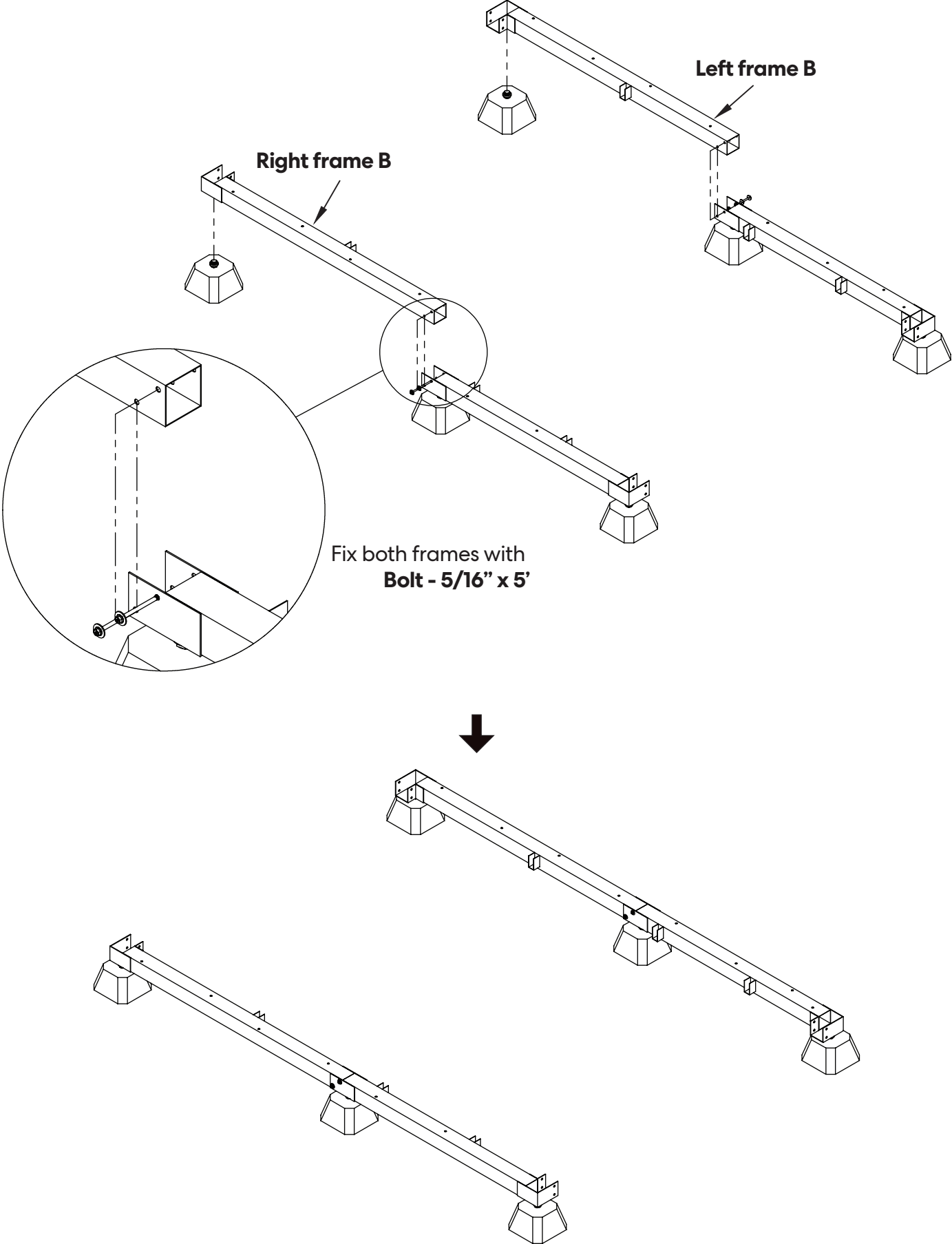
Step 2

Install **Left frame A** and **Right frame A**.



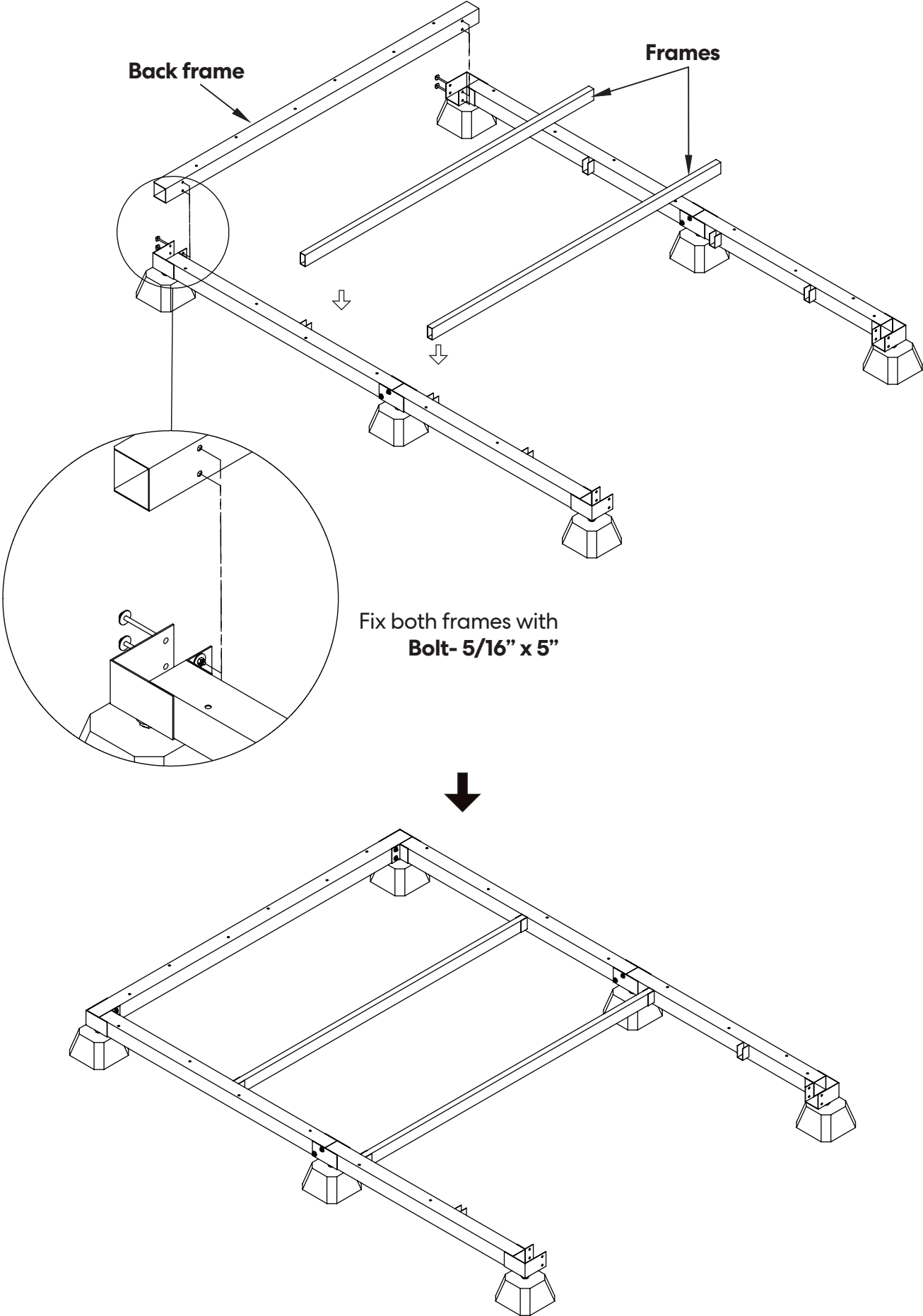
Step 3

Install **Left frame B** and **Right frame B**.



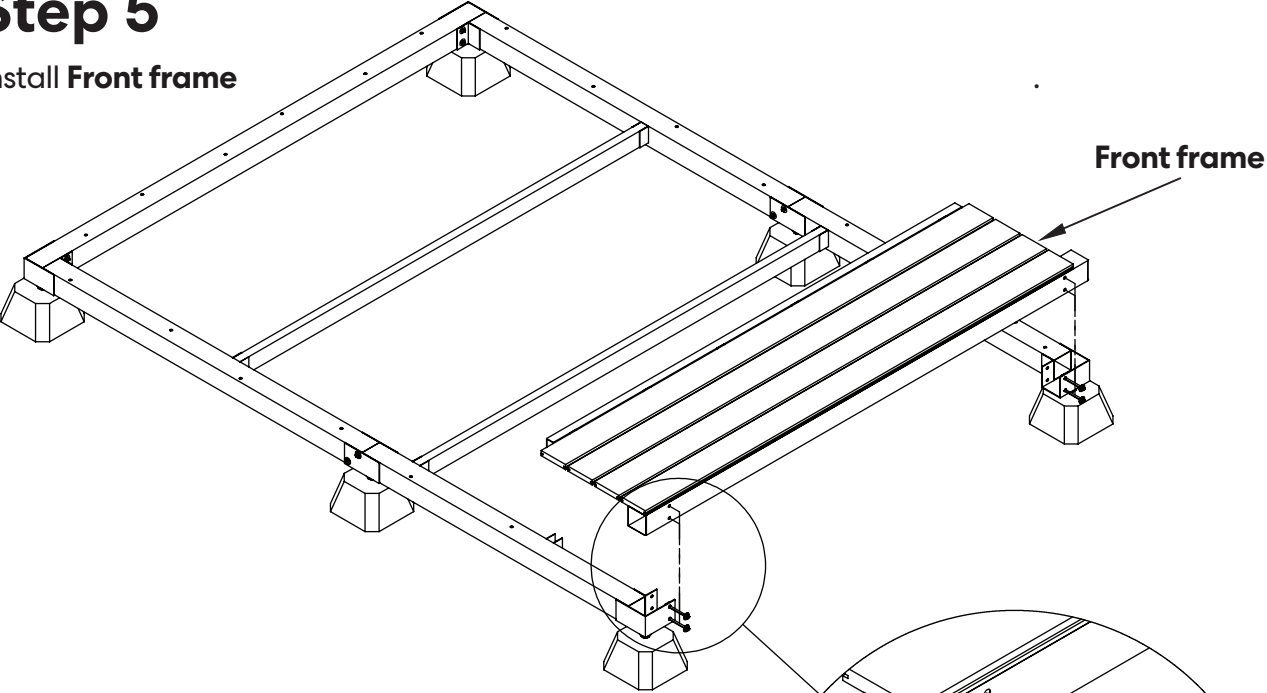
Step 4

Install **Back frame** and both **Frames**.

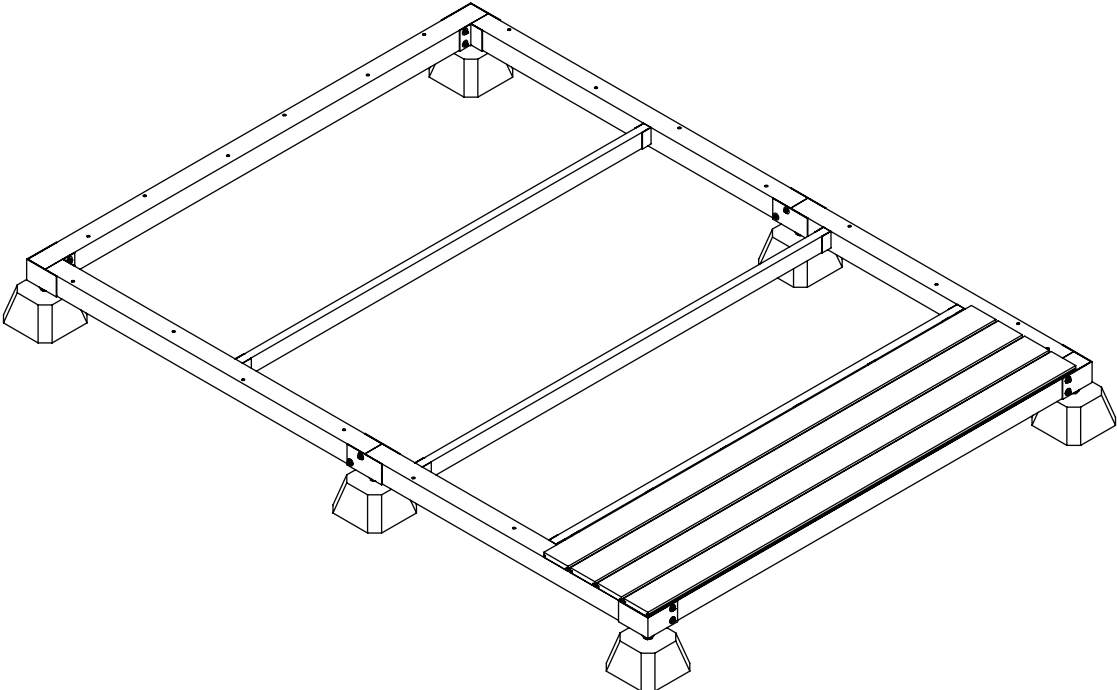
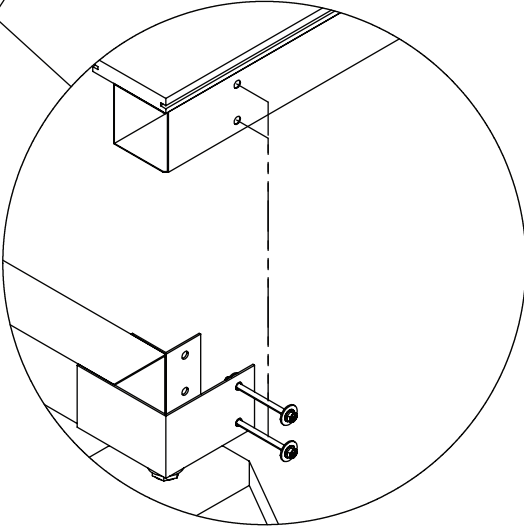


Step 5

Install **Front frame**

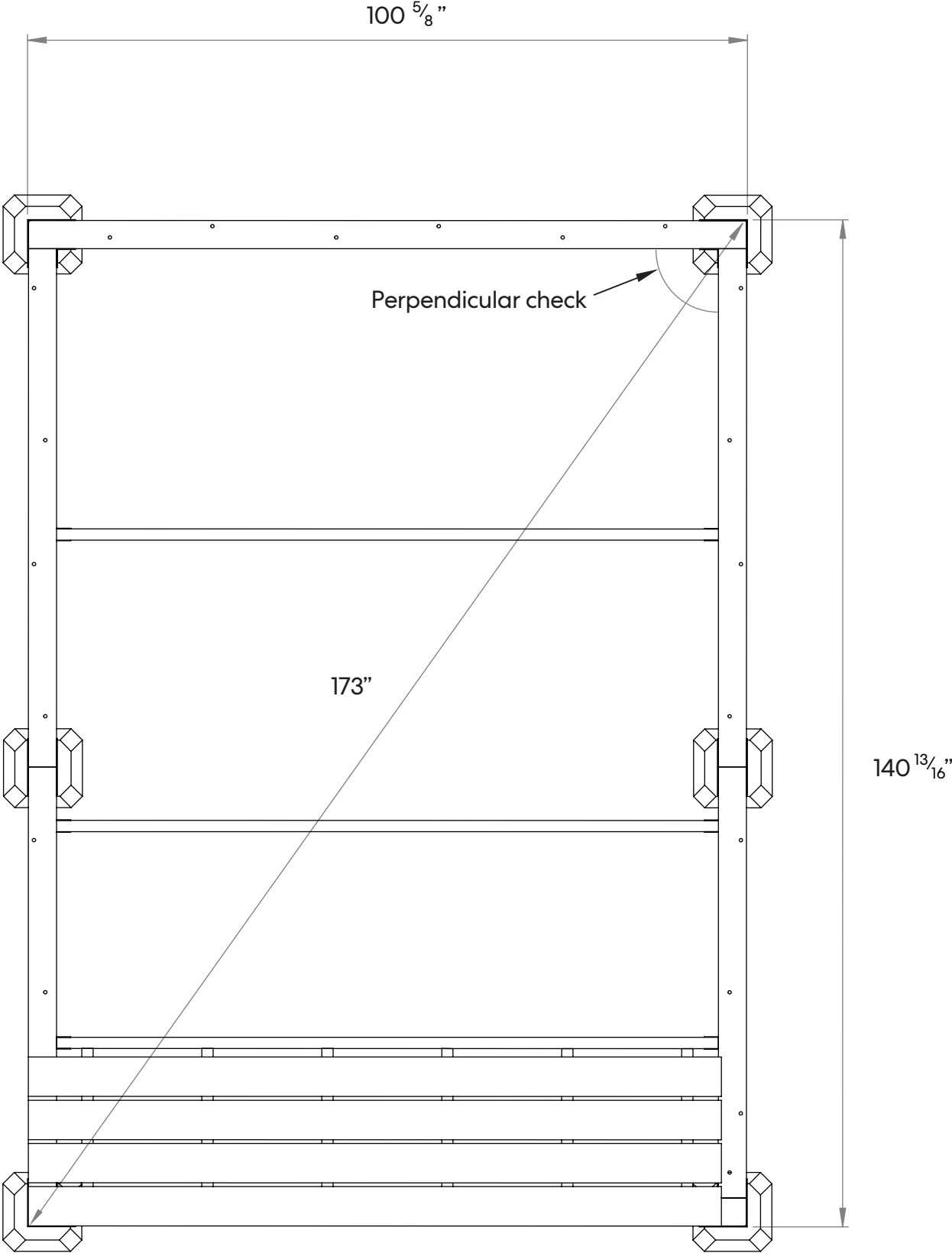


Fix both frames with
Bolt- 5/16" x 5"



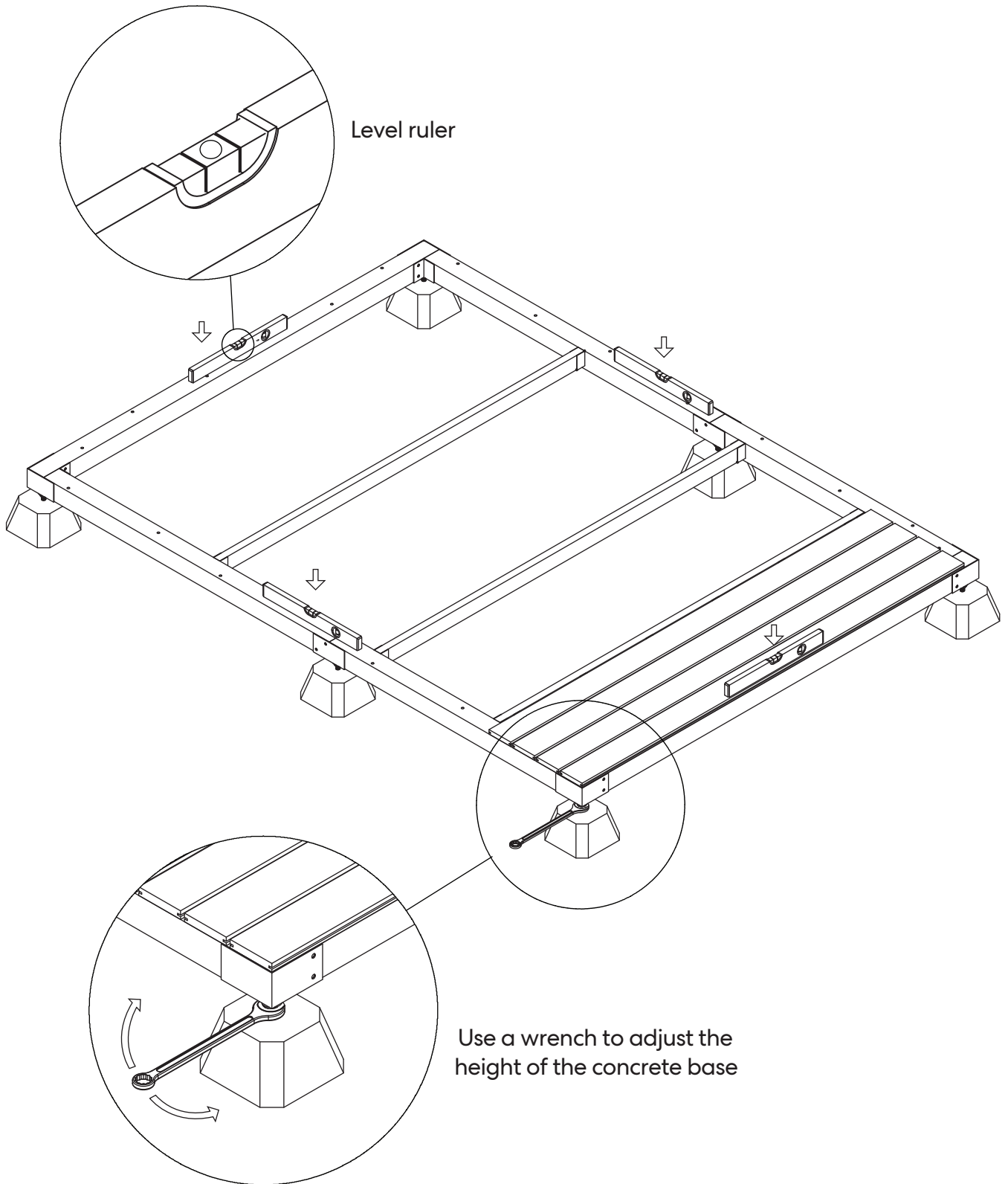
Step 6

Once you have completed the foundation, make sure the size adheres to the measurements in the figure below. It is very important that everything is square and the right dimension.



Step 7

Important: After you have completed the installation of the steel frame, use a level ruler to check all sides of the frame, making sure all are level.



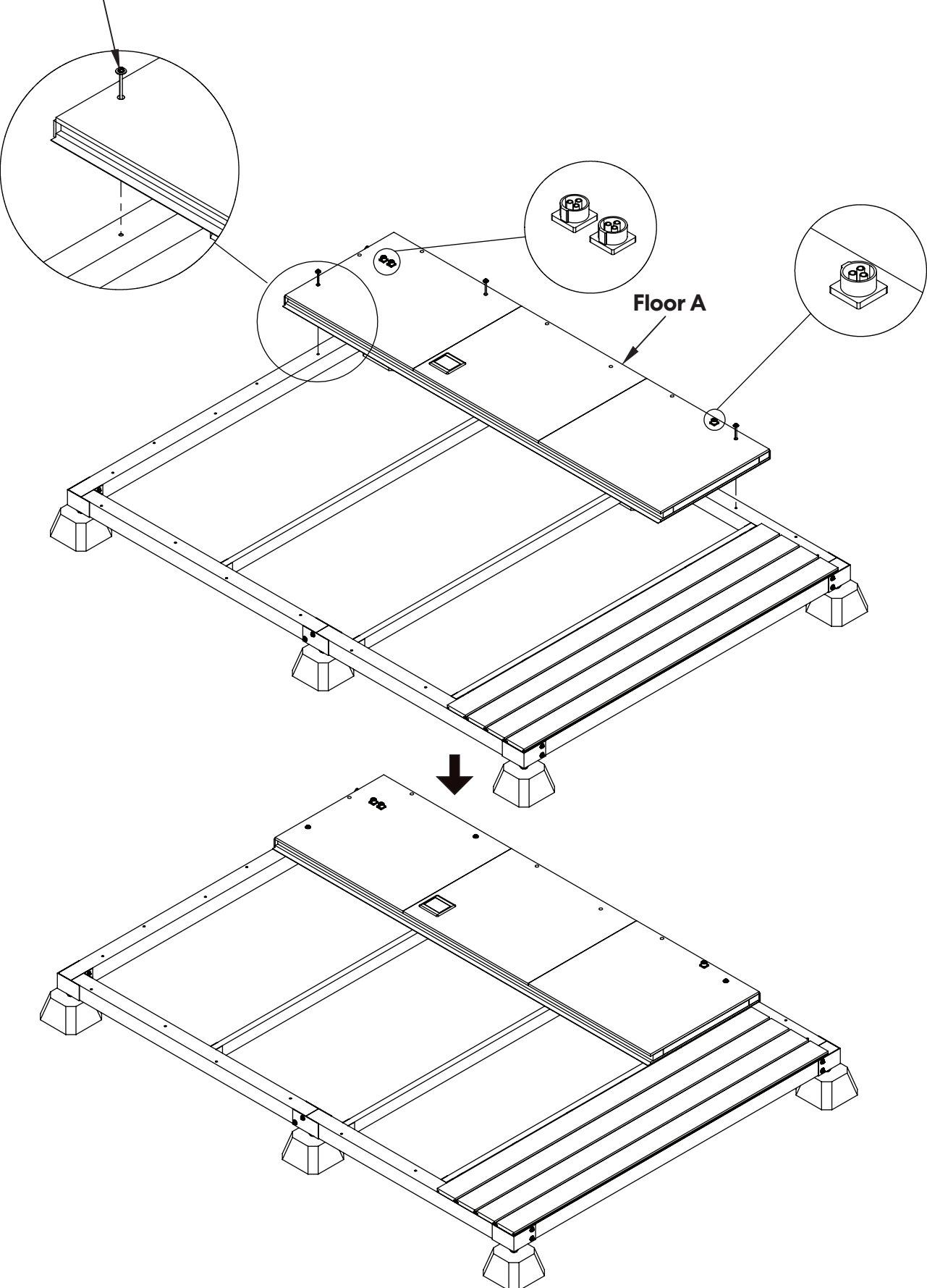
Checking the size and balance of the steel frame after assembly is extremely important, it helps to avoid many problems later, remember to pay attention.

Step 8

Install **Floor A**.

Use **Bolt - 3/8" x 10"** to position **Floor A** (there's no need to tighten the bolts), so it doesn't move when installing the following components.

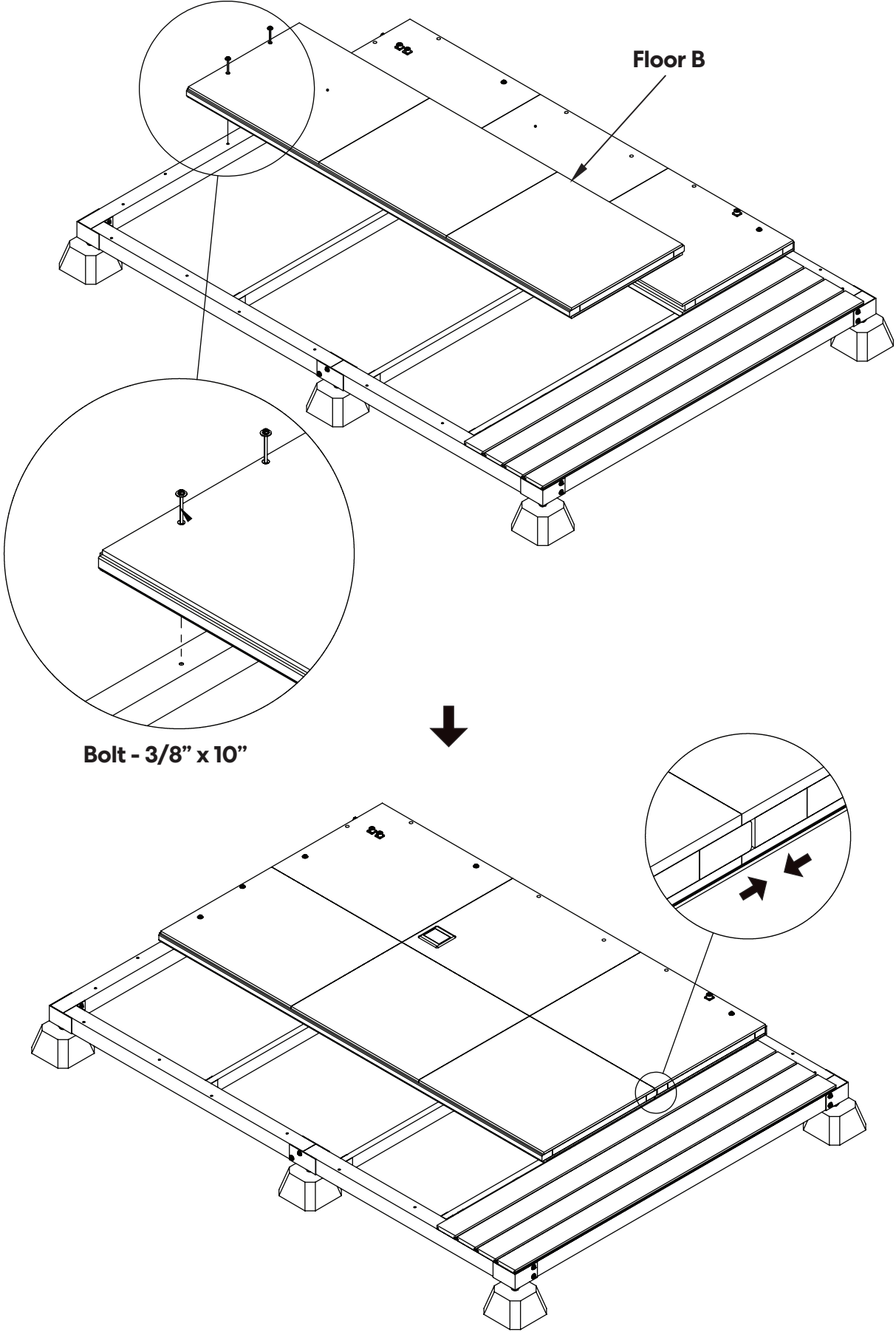
Bolt - 3/8" x 10"



Step 9

Install **Floor B**.

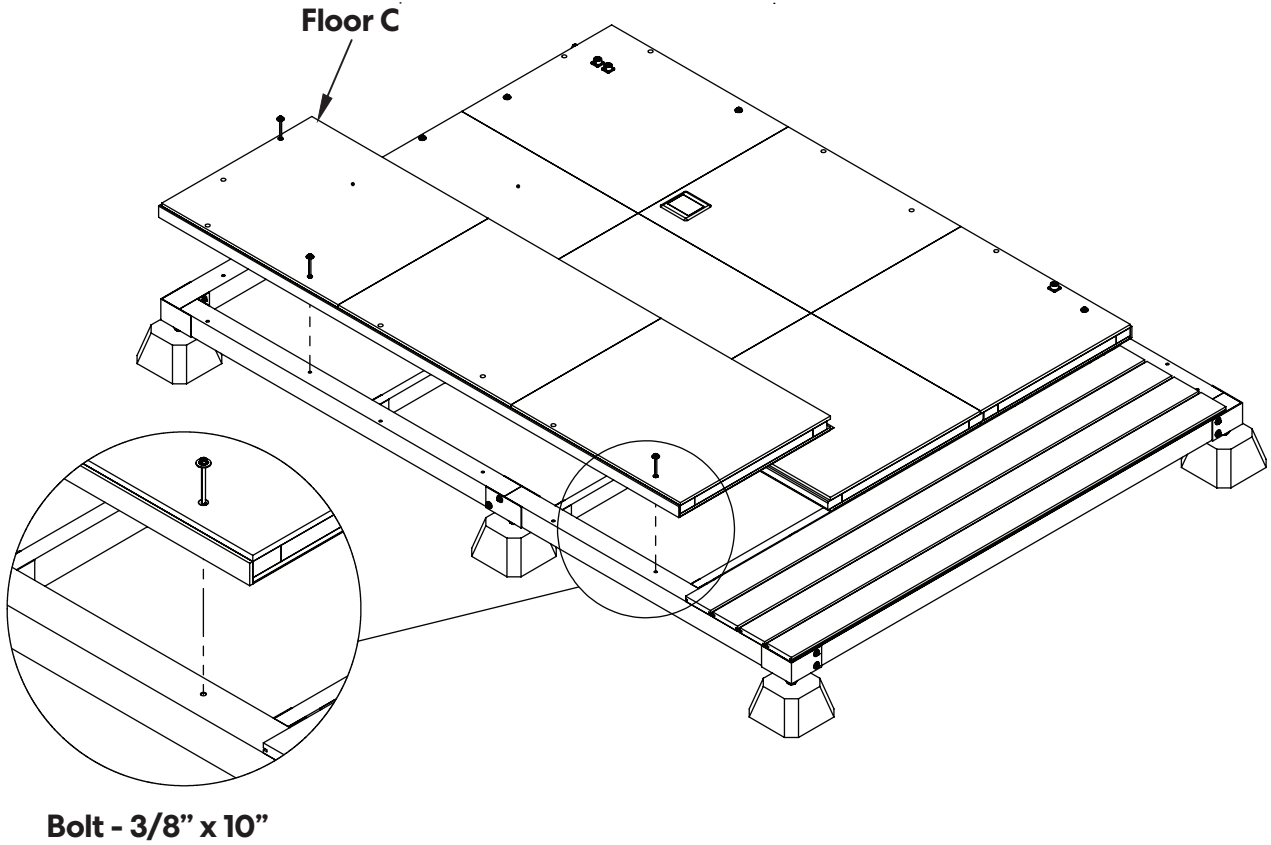
Use **Bolt - 3/8" x 10"** to position **Floor B** (there's no need to tighten the bolts), so it doesn't move when installing the following components.



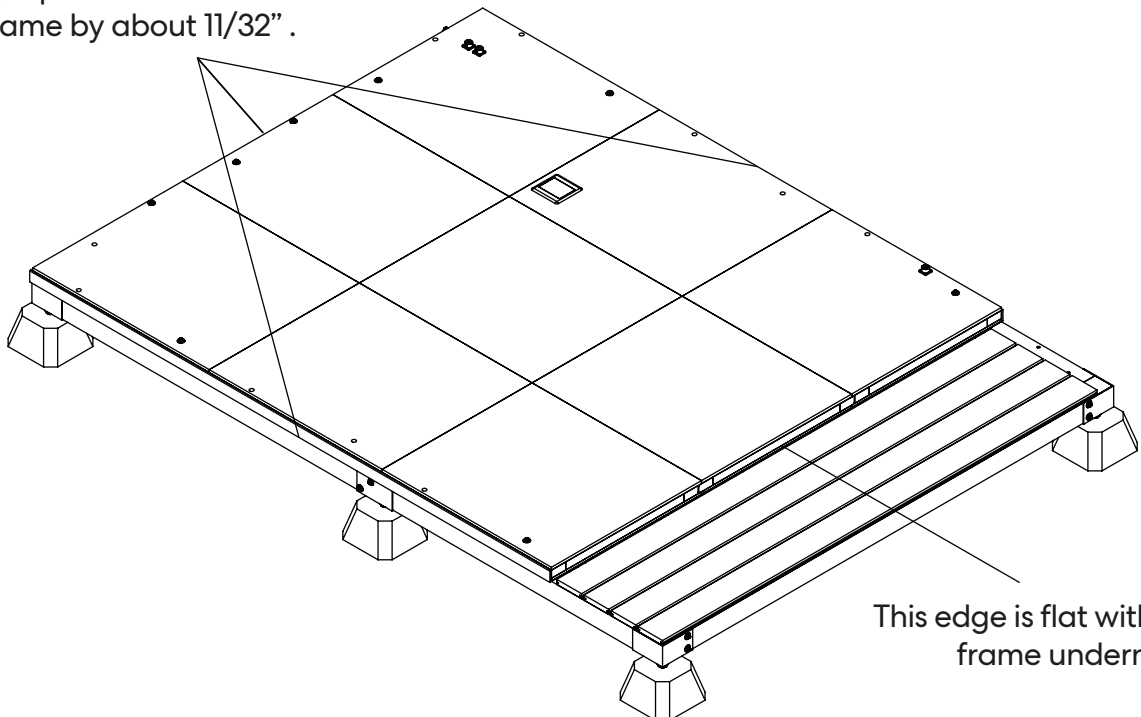
Step 10

Install **Floor C**.

Use **Bolt - 3/8" x 10"** to position **Floor C** (there's no need to tighten the bolts), so it doesn't move when installing the following components.



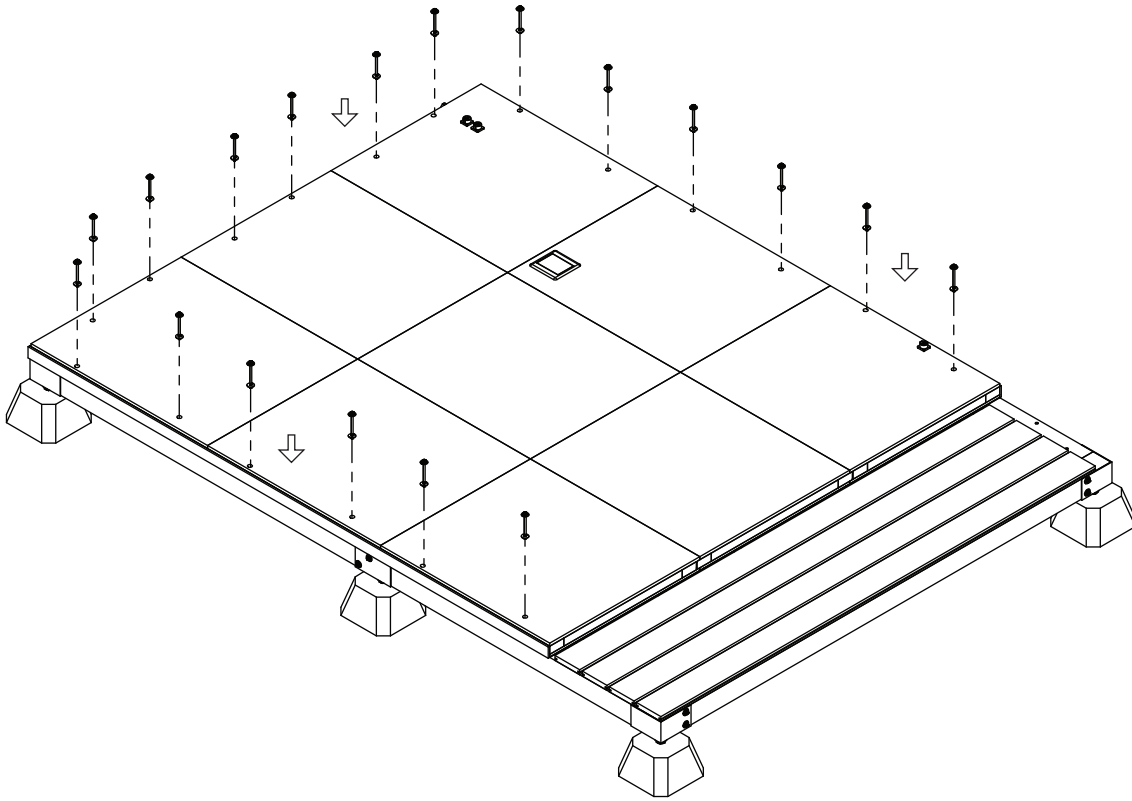
These edges protrude from the steel frame by about $11/32"$.



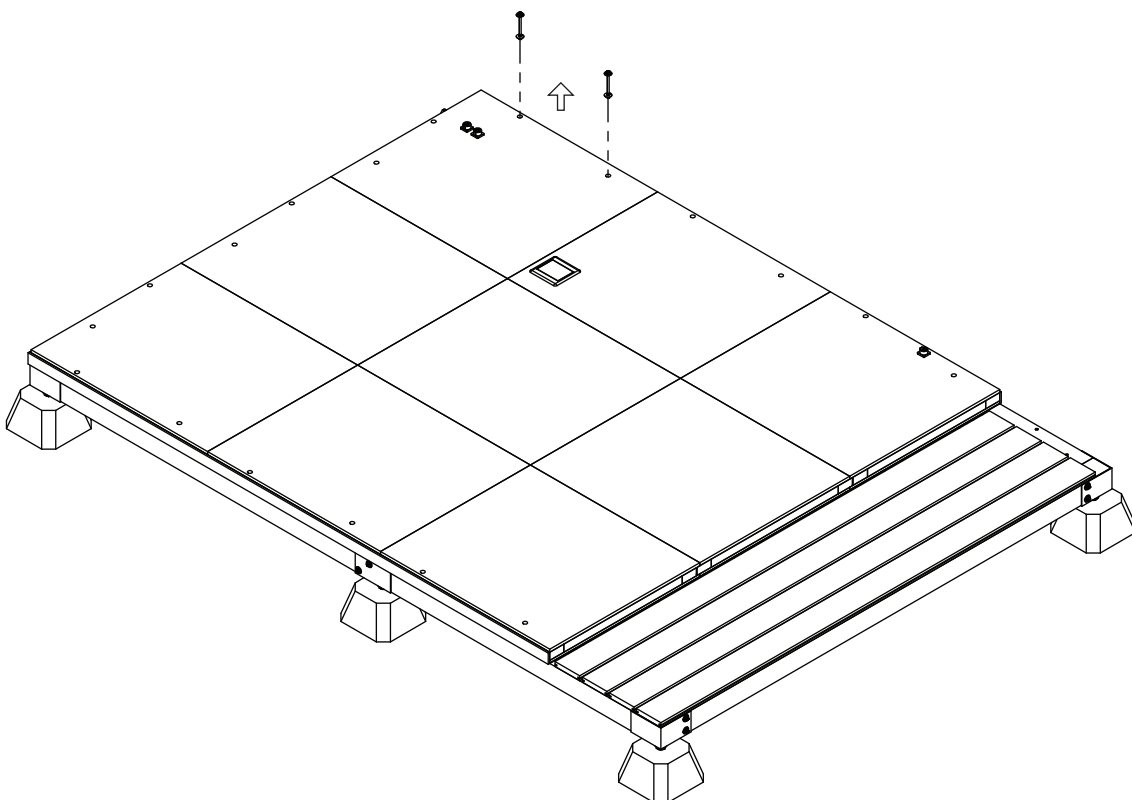
This edge is flat with the frame underneath

Step 11

Use **Bolt - 3/8" x 10"** to ensure that all holes in the floor line up with the holes in the steel frame (there's no need to tighten the bolts).

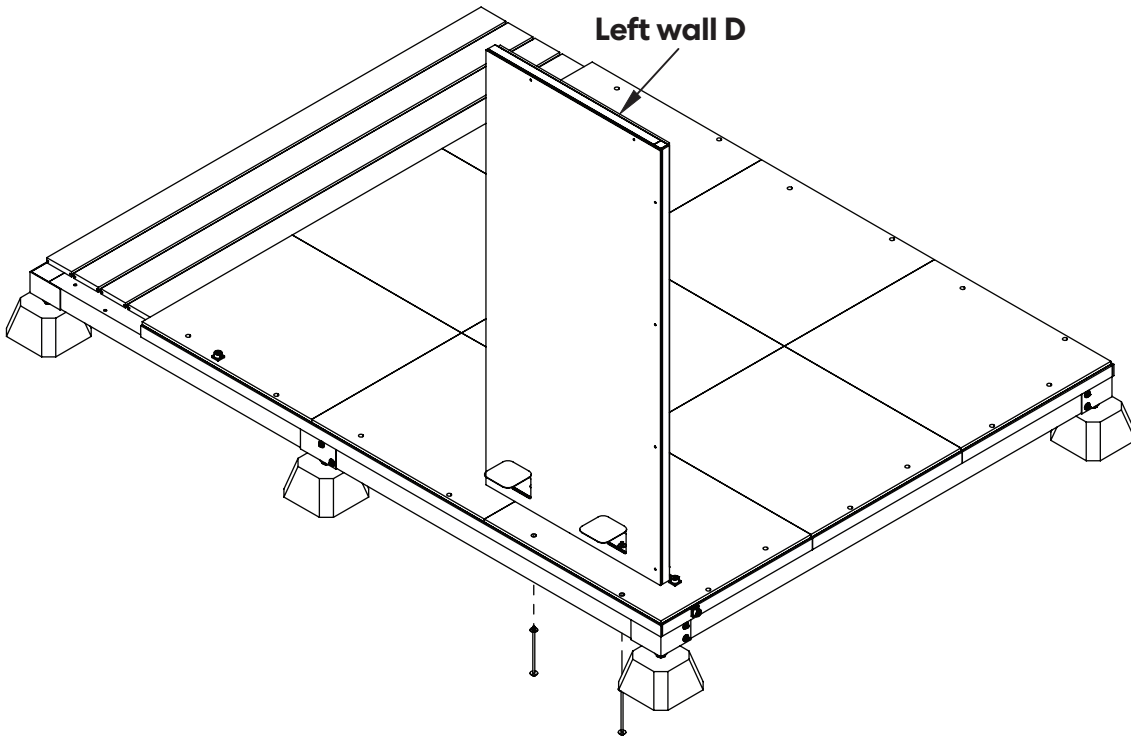


Remove the fixing bolts where the next wall will be installed.

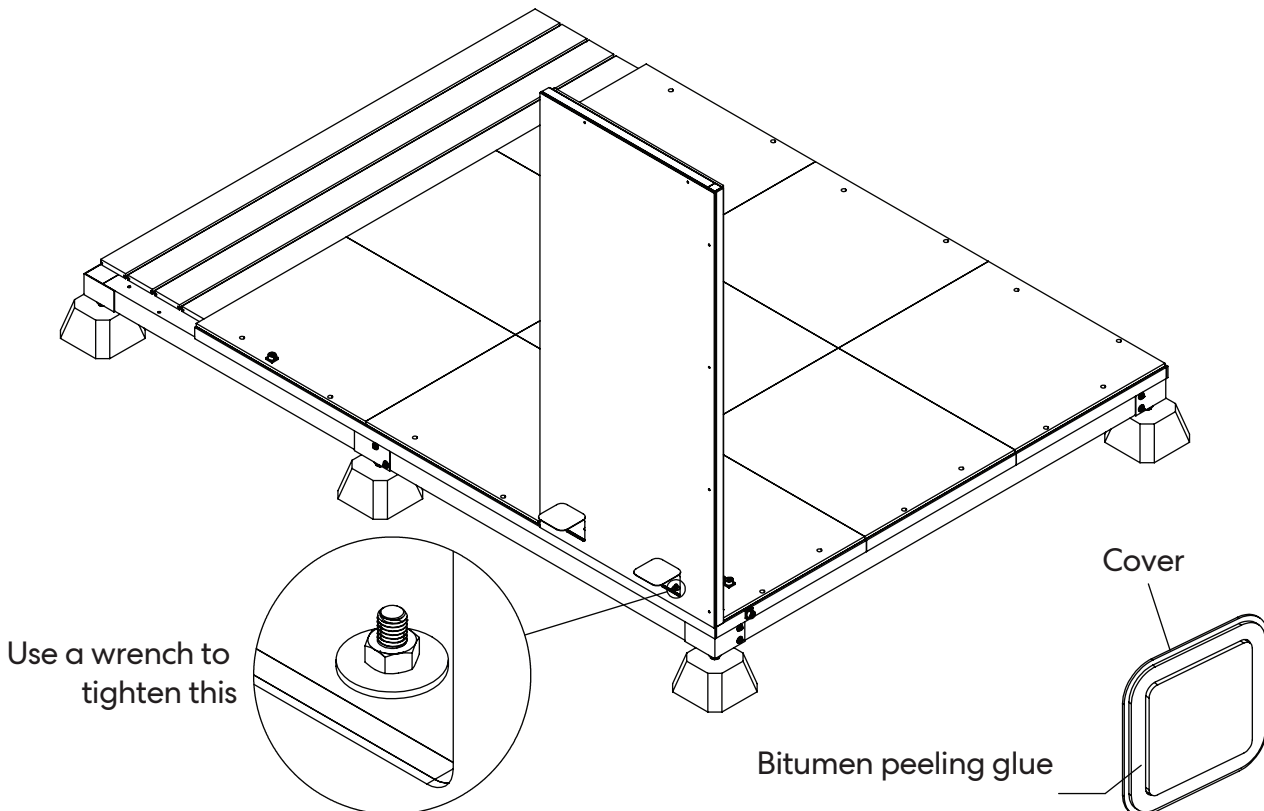


Step 12

Install **Left wall D** - Important, make sure the wall panels are perpendicular to the floor
Position the wall in place, then open the bitumen cover to attach the connecting bolt from the floor to the wall. Use the wrench to fix it in place.

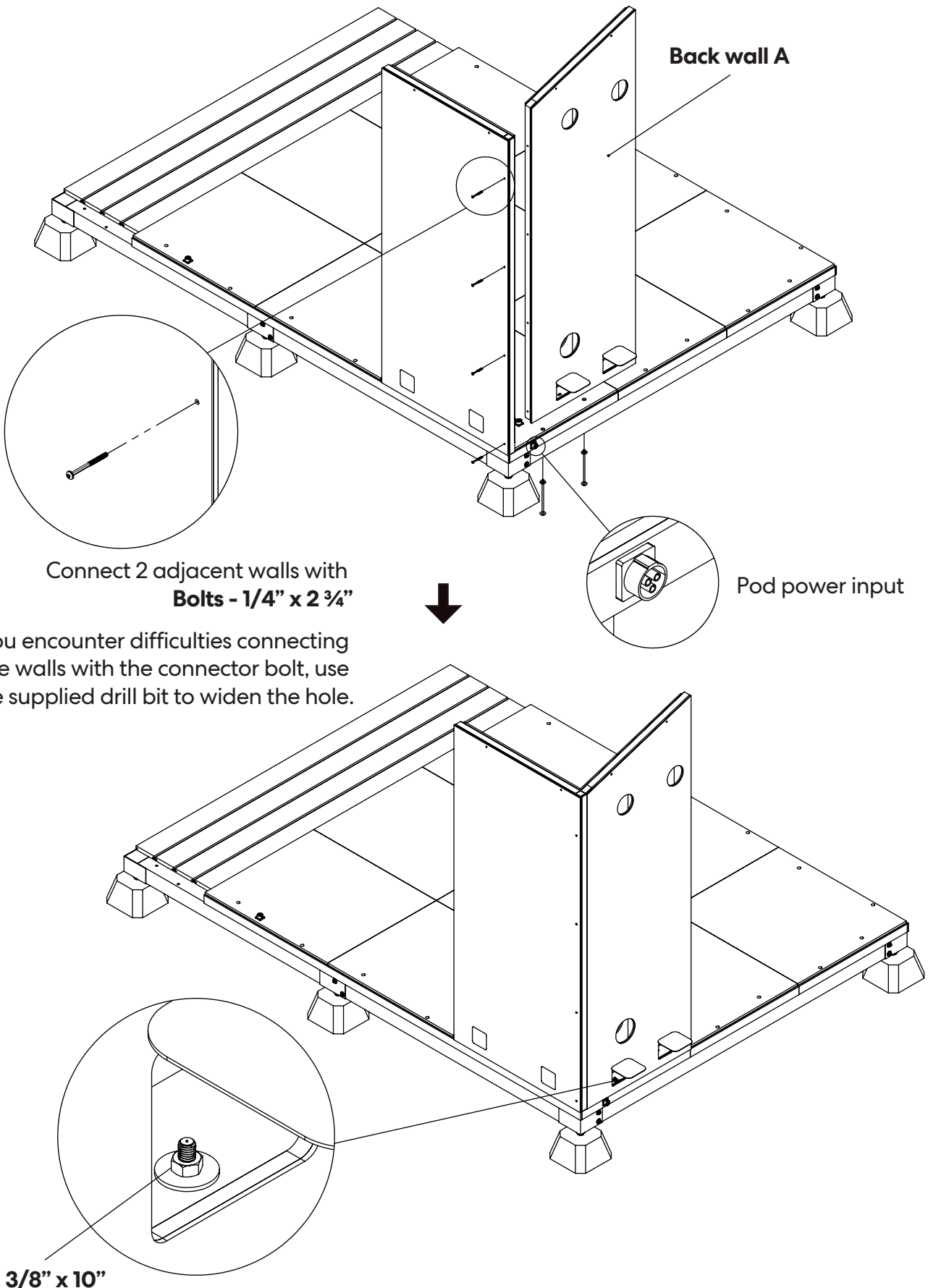


Only peel the glue off the cover and stick it in place after Step 29 is completed.



Step 13

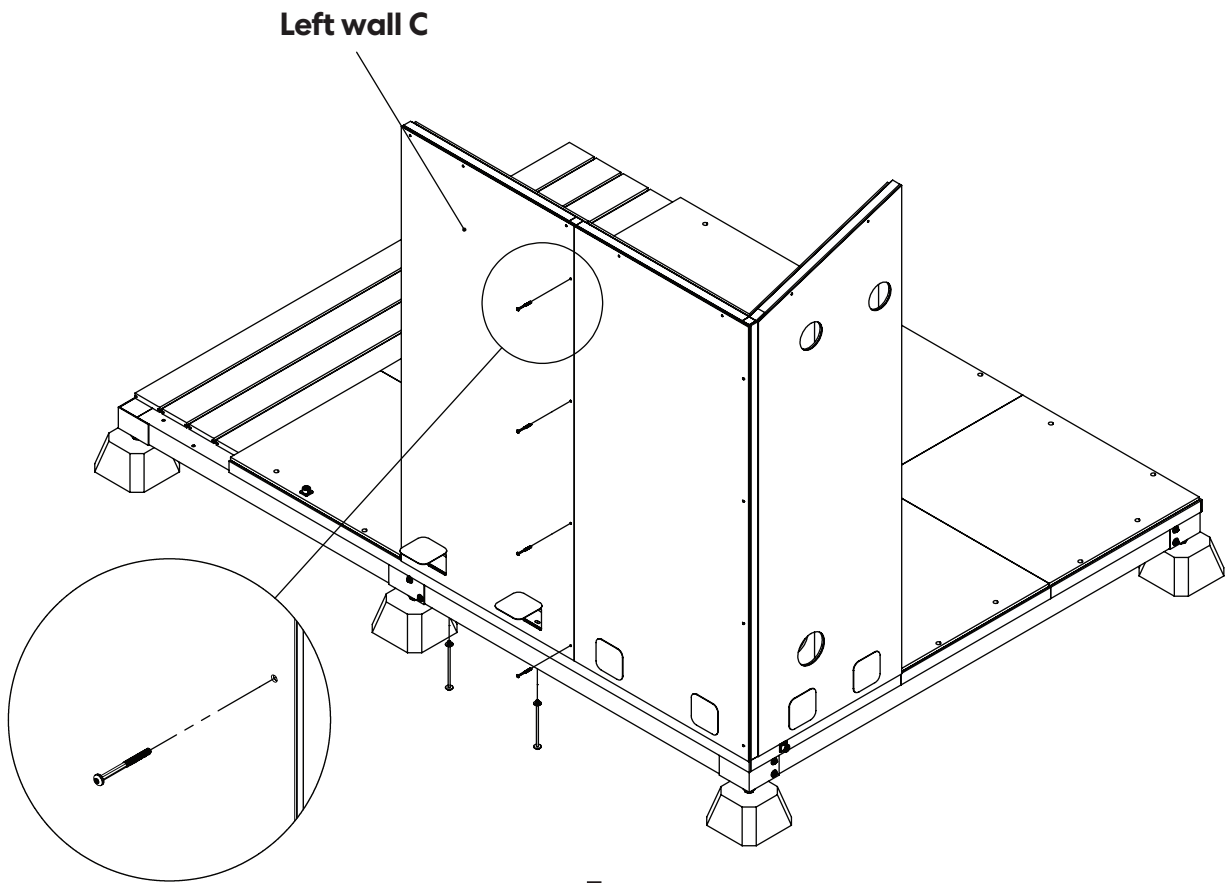
Install **Back wall A** - Important, make sure the wall panels are perpendicular to the floor
Position the wall in place, then open the bitumen cover to attach the connecting bolt from the floor to the wall. Use the wrench to fix it in place.



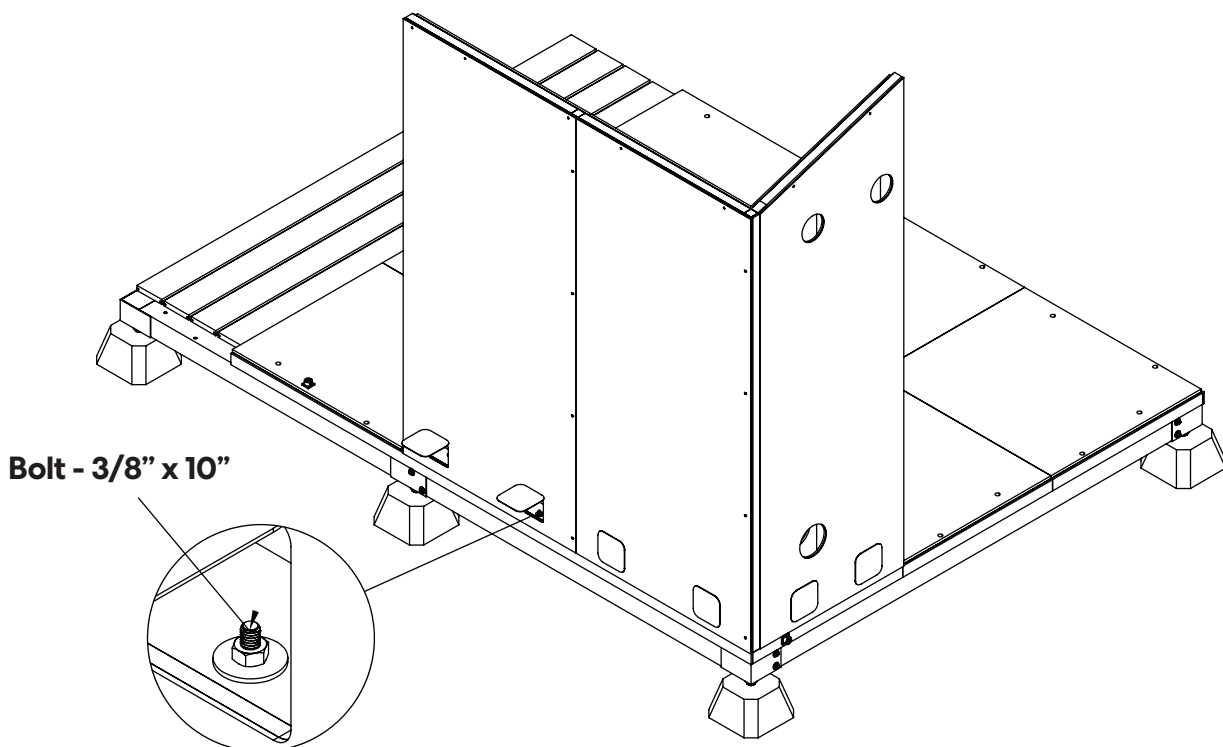
Step 14

Install **Left wall C** - Important, make sure the wall panels are perpendicular to the floor

Position the wall in place, then open the bitumen cover to attach the connecting bolt from the floor to the wall. Use the wrench to fix it in place.

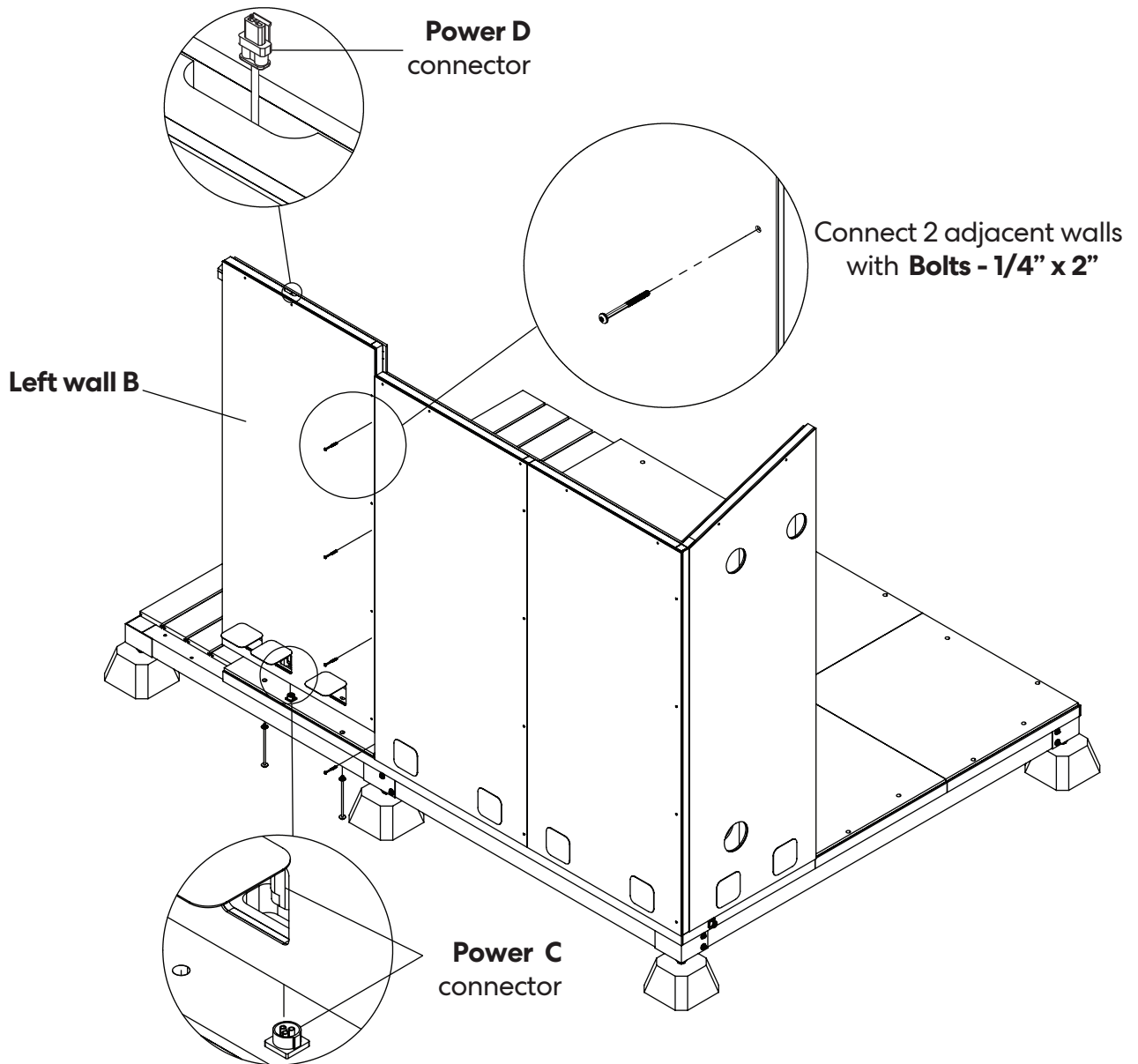


Connect 2 adjacent walls
Bolts - 1/4" x 2 3/4" with



Step 15

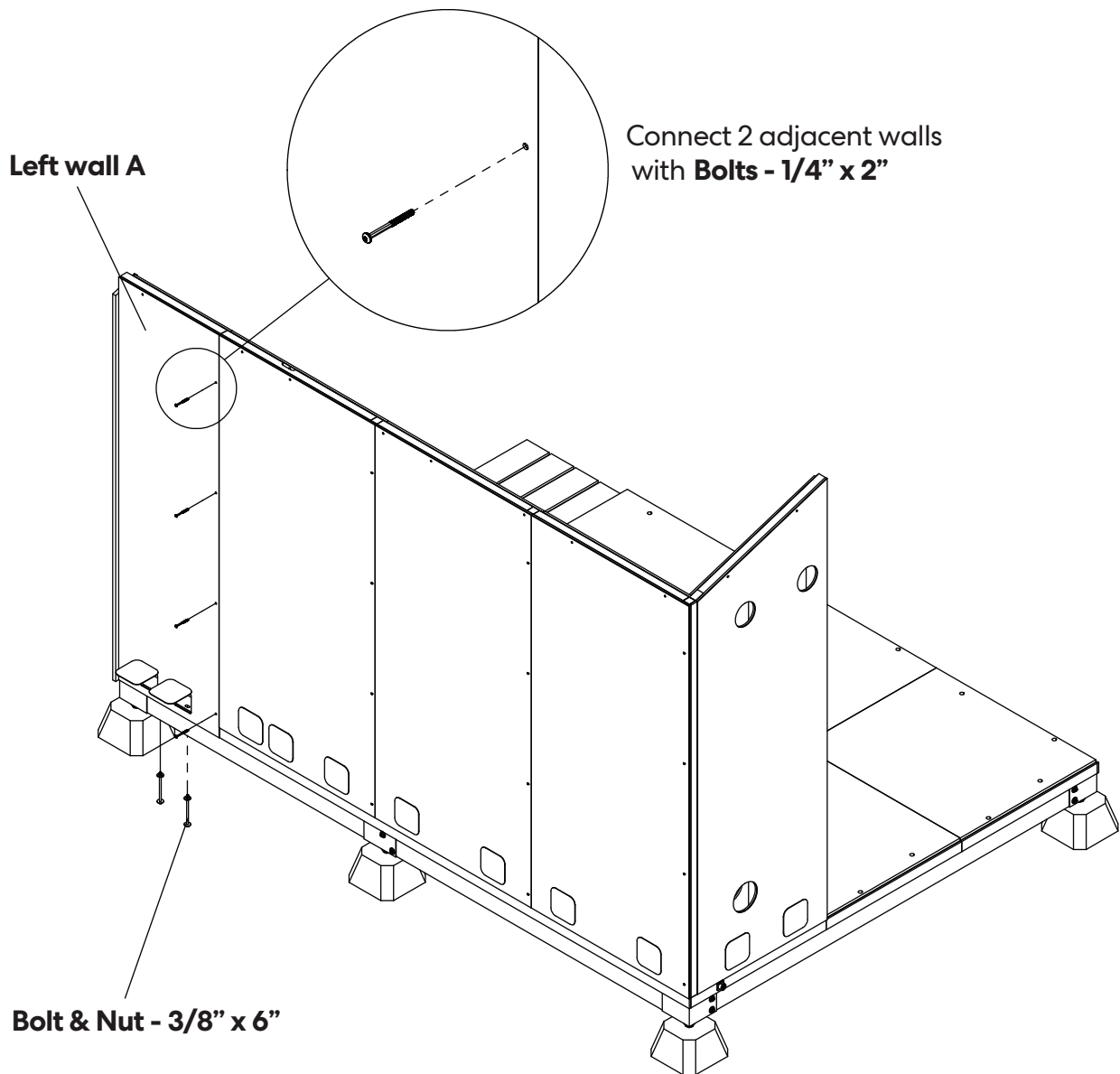
Install **Left wall B** - Important, make sure the wall panels are perpendicular to the floor
Position the wall in place, then open the bitumen cover to attach the connecting bolt from the floor to the wall. Use the wrench to fix it in place.



Note where **Power C** connector is located on the floor and carefully align **Left Wall B** with it. Once the wall is in place, open the bitumen cover and connect the **Power C** male connector on the wall to the **Power C** female connector on the floor.

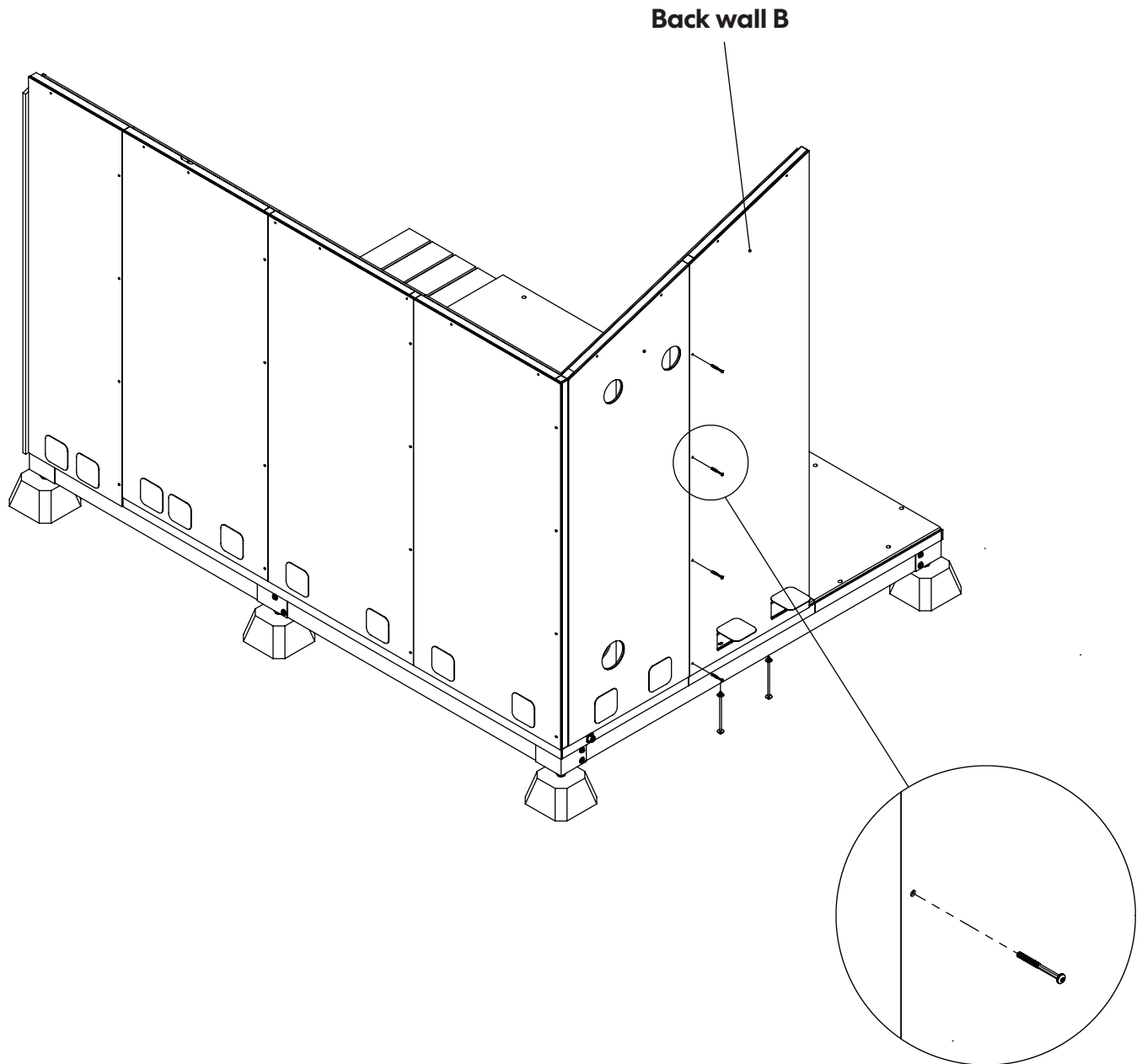
Step 16

Install **Left wall A**. - Important, make sure the wall panels are perpendicular to the floor
Position the wall in place, then open the bitumen cover to attach the connecting bolt from the floor to the wall. Use the wrench to fix it in place.



Step 17

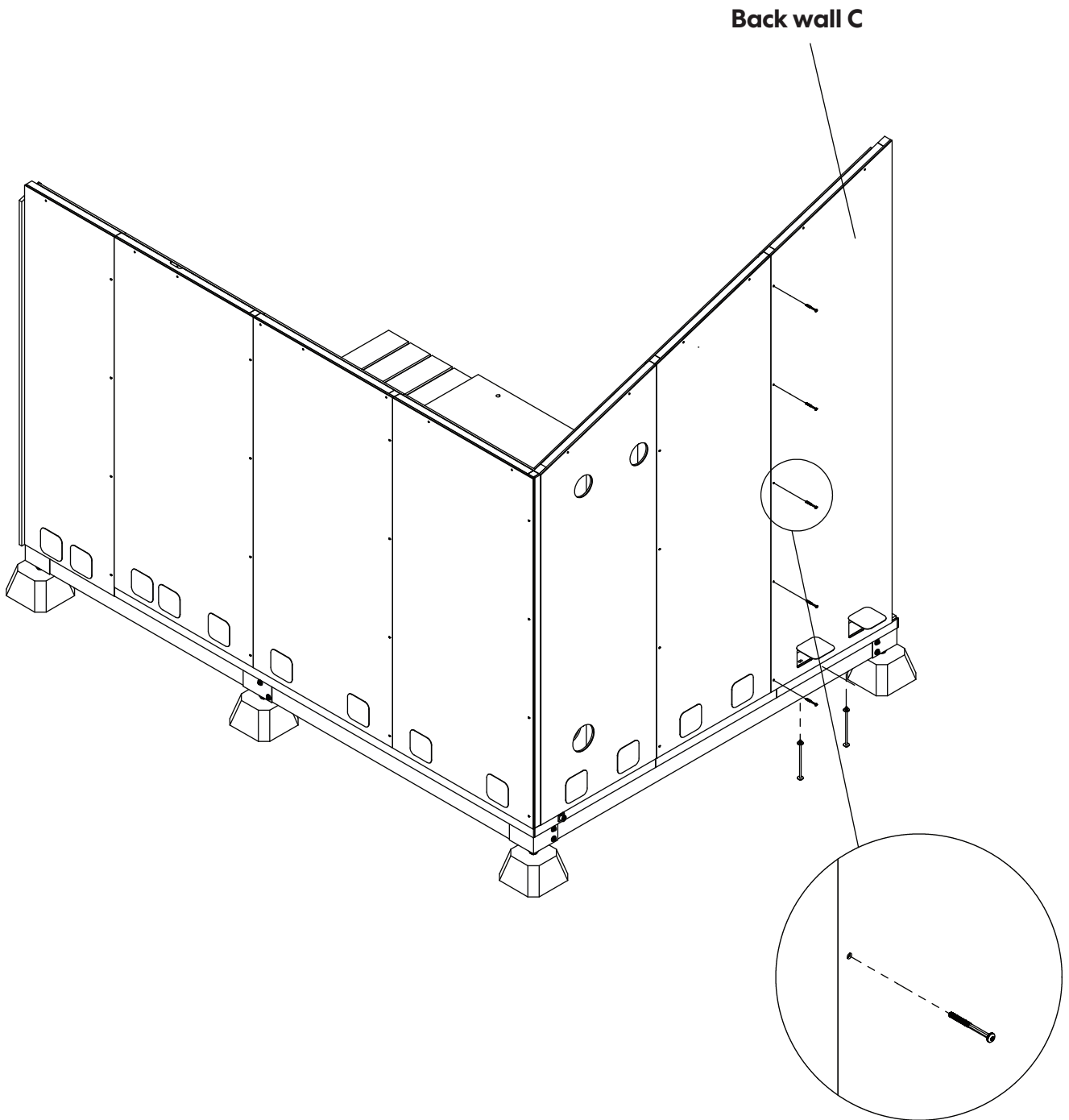
Install **Back wall B** - Important, make sure the wall panels are perpendicular to the floor
Position the wall in place, then open the bitumen cover to attach the connecting bolt from the floor to the wall. Use the wrench to fix it in place.



Connect 2 adjacent walls
with **Bolts - 1/4" x 2 3/4"**

Step 18

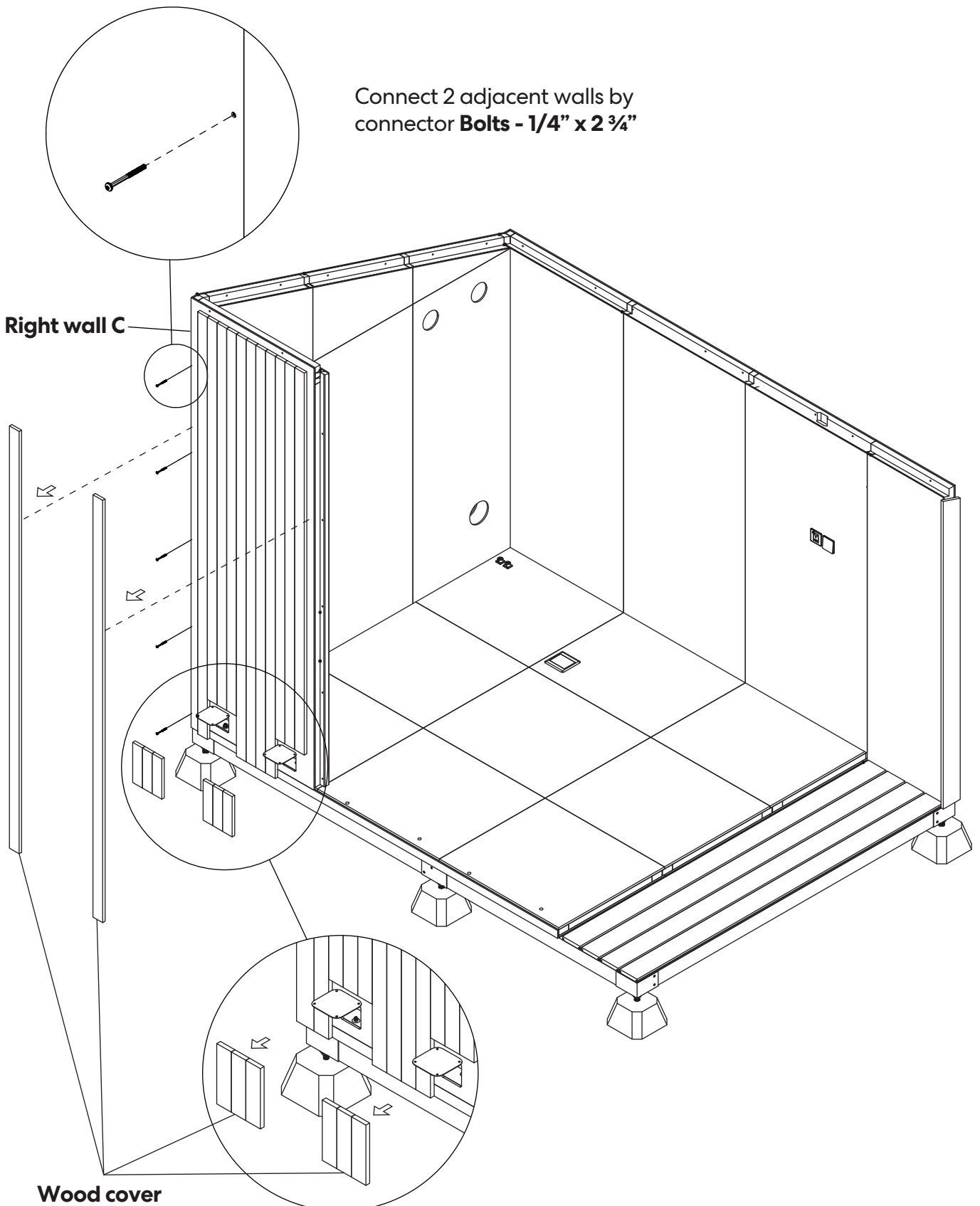
Install **Back wall C** - Important, make sure the wall panels are perpendicular to the floor
Position the wall in place, then open the bitumen cover to attach the connecting bolt from the floor to the wall. Use the wrench to fix it in place.



Connect 2 adjacent walls
with **Bolts - 1/4" x 2 3/4"**

Step 19

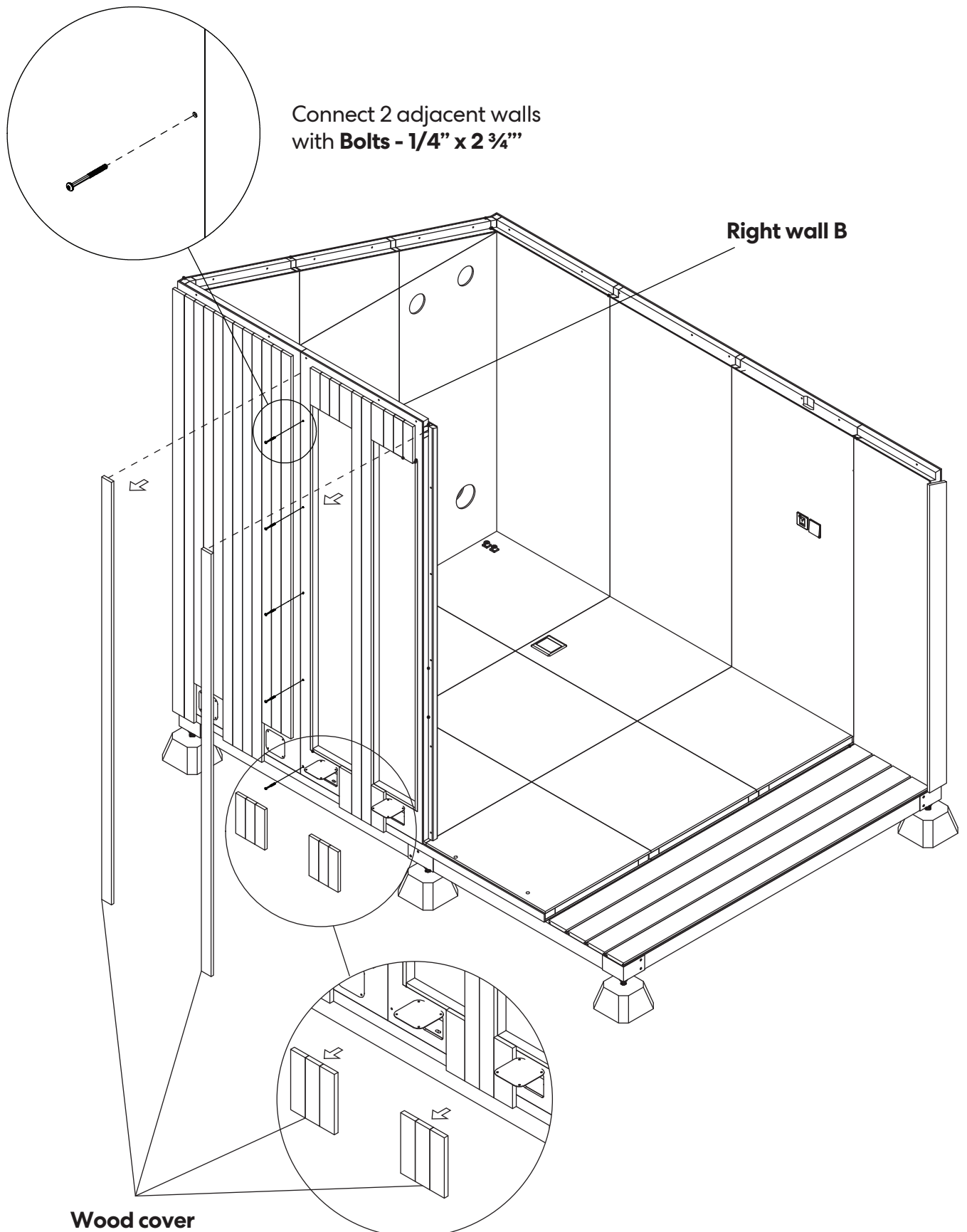
Install **Right wall C**. - Important, make sure the wall panels are perpendicular to the floor
Position the wall in place, then open the bitumen cover to attach the connecting bolt from the floor to the wall. Use the wrench to fix it in place.



Temporarily remove the wood cover for the joints. Replace after installation is complete and bitumen cover is glued.

Step 20

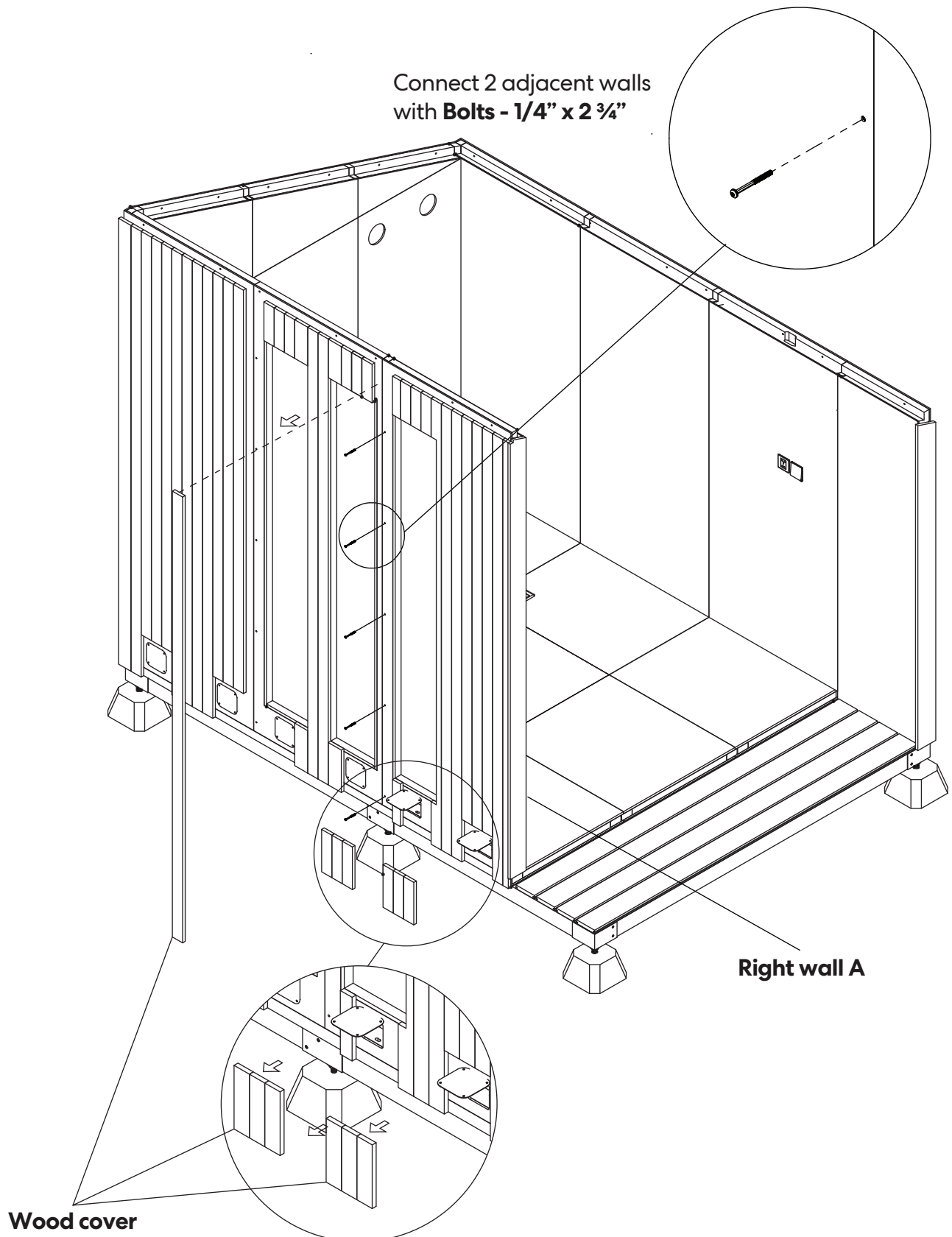
Install **Right wall B** - Important, make sure the wall panels are perpendicular to the floor
Position the wall in place, then open the bitumen cover to attach the connecting bolt from the floor to the wall. Use the wrench to fix it in place.



Temporarily remove the wood cover for the joints. Replace after installation is complete and bitumen cover is glued.

Step 21

Install **Right wall A** - Important, make sure the wall panels are perpendicular to the floor
Position the wall in place, then open the bitumen cover to attach the connecting bolt from the floor to the wall. Use the wrench to fix it in place.

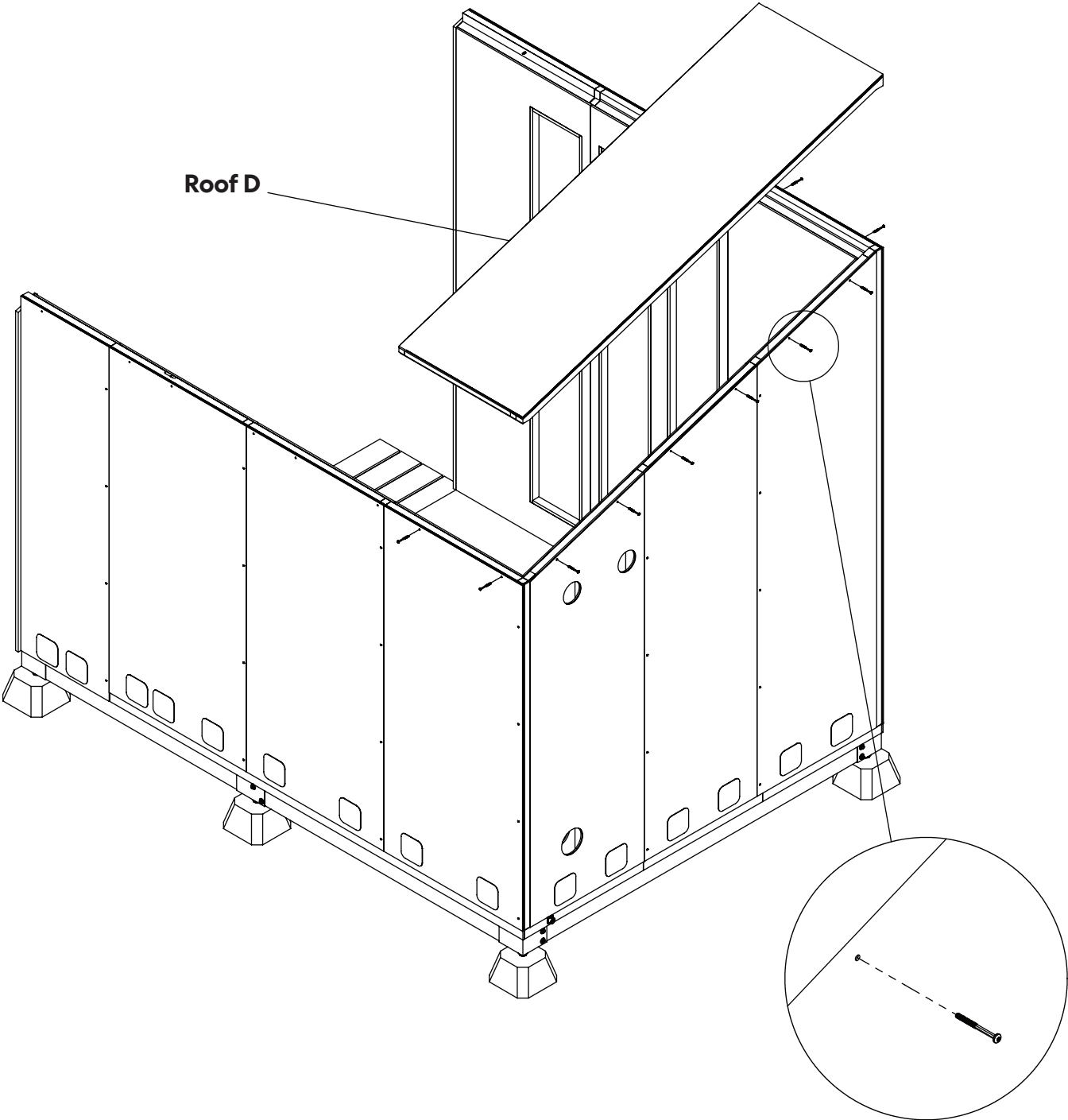


Temporarily remove the wood cover for the joints. Replace after installation is complete and bitumen cover is glued.

Step 22

Install **Roof D**.

Position the the roof in place, connecting all joints with connector bolts.

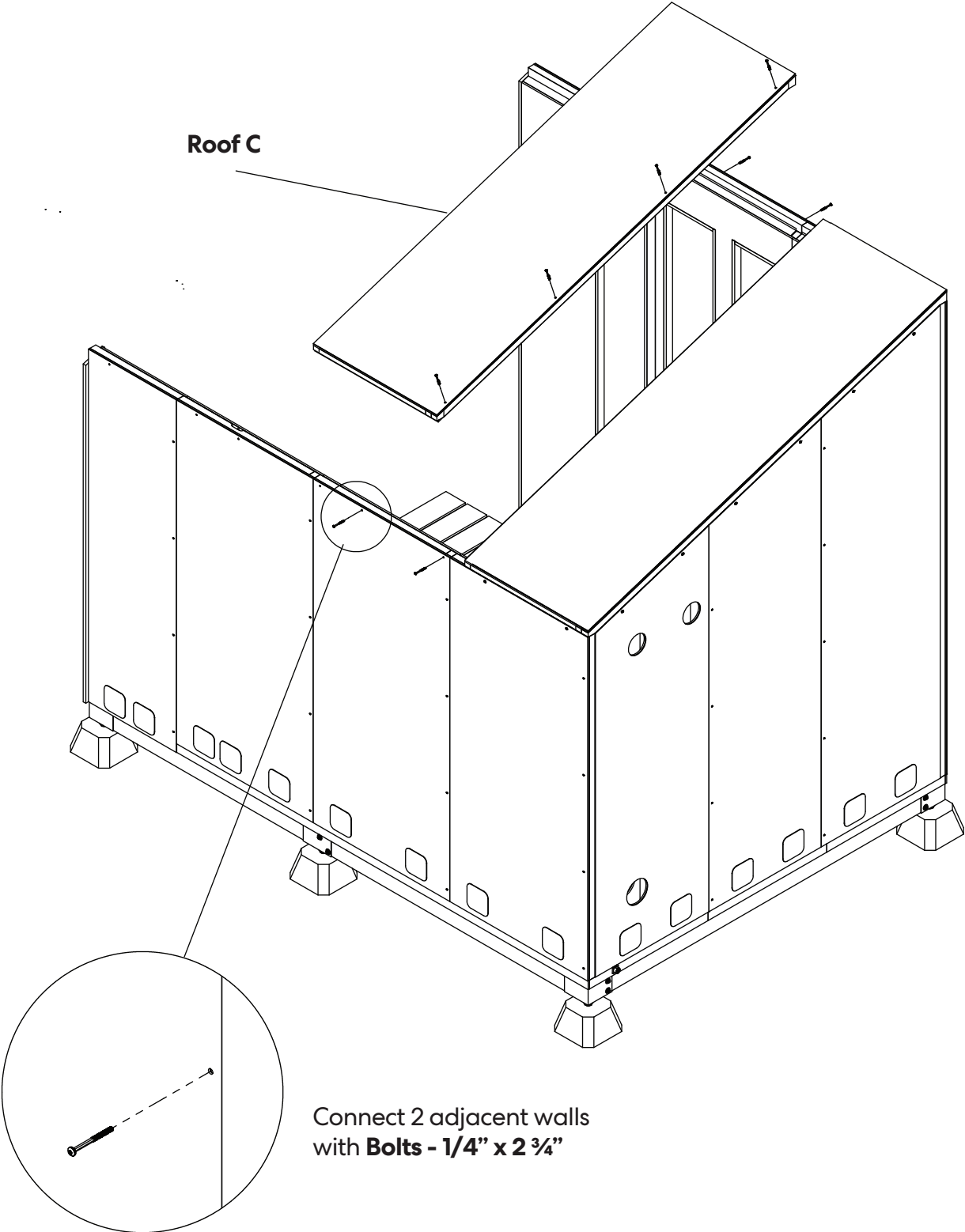


Connect 2 adjacent walls by connector **Bolts - 1/4" x 2 3/4"**

Step 23

Install **Roof C**.

Position the the roof in place, connecting all joints with connector bolts.



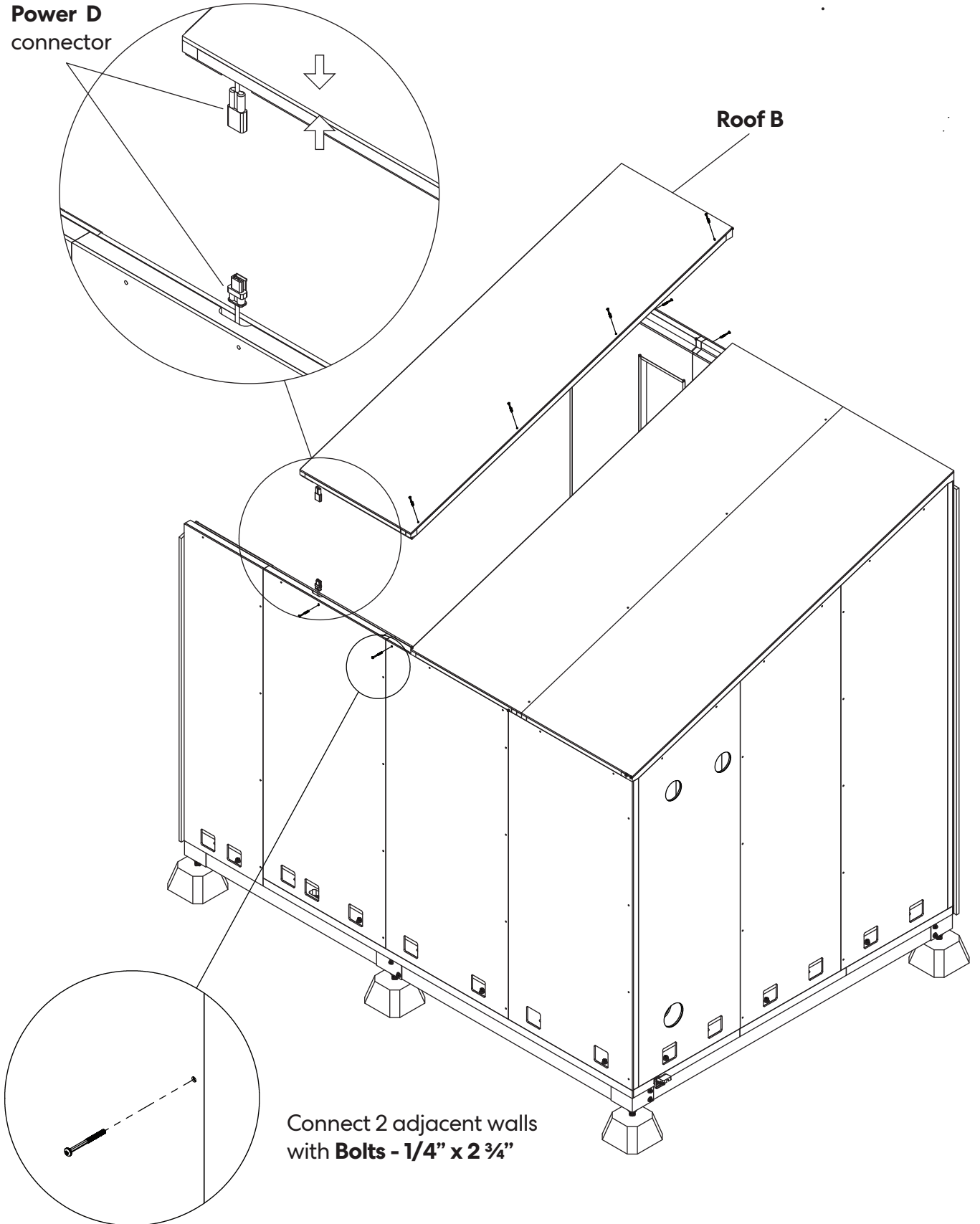
Step 24

Install Roof B

Position the the roof in place, connecting all joints with connector bolts.

Power D
connector

Roof B

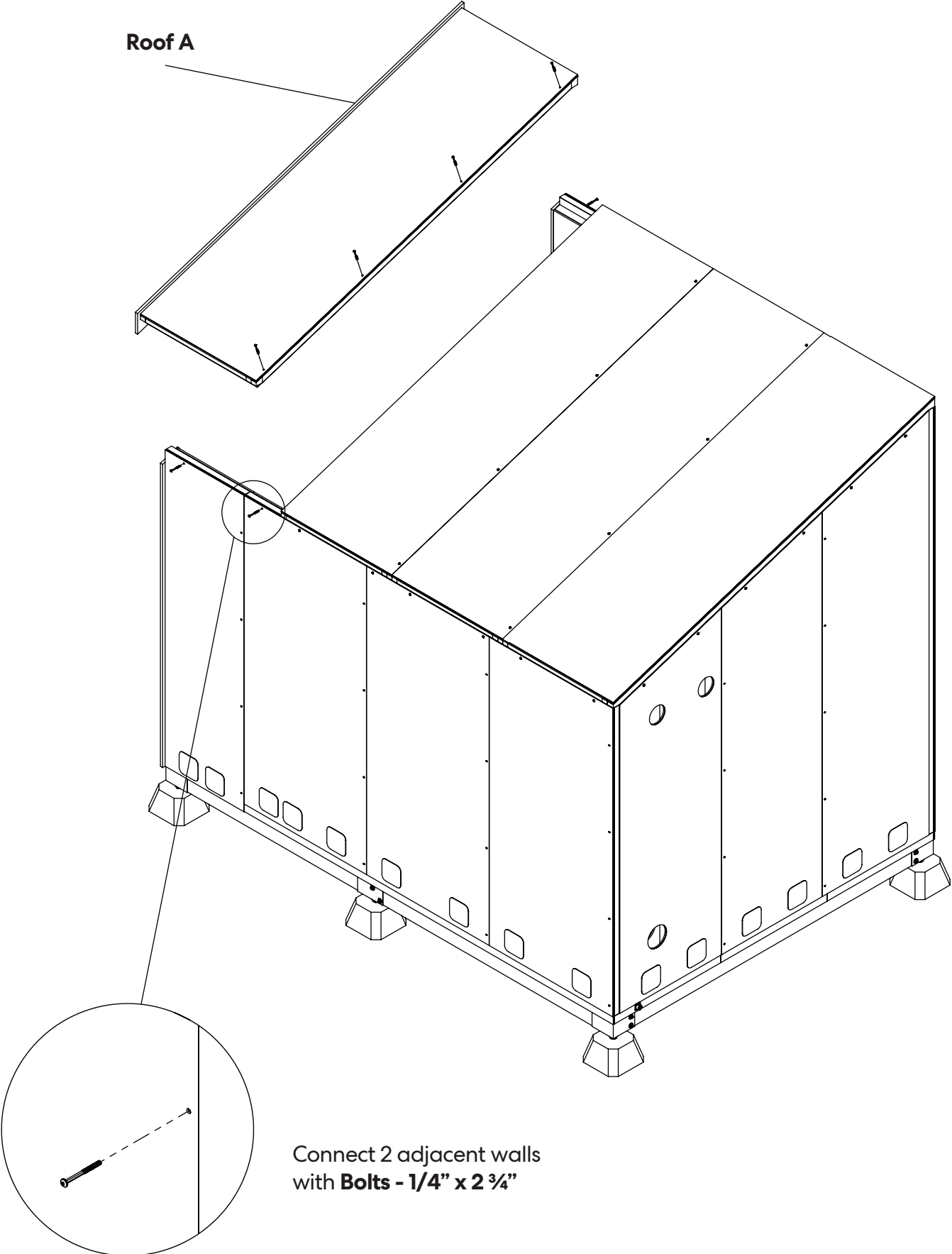


Connect the **Power D** male connector on the wall to the **Power D** female connector on the roof before carefully placing **Roof B** in position.

Step 25

Install Roof A

Position the the roof in place, connecting all joints with connector bolts.



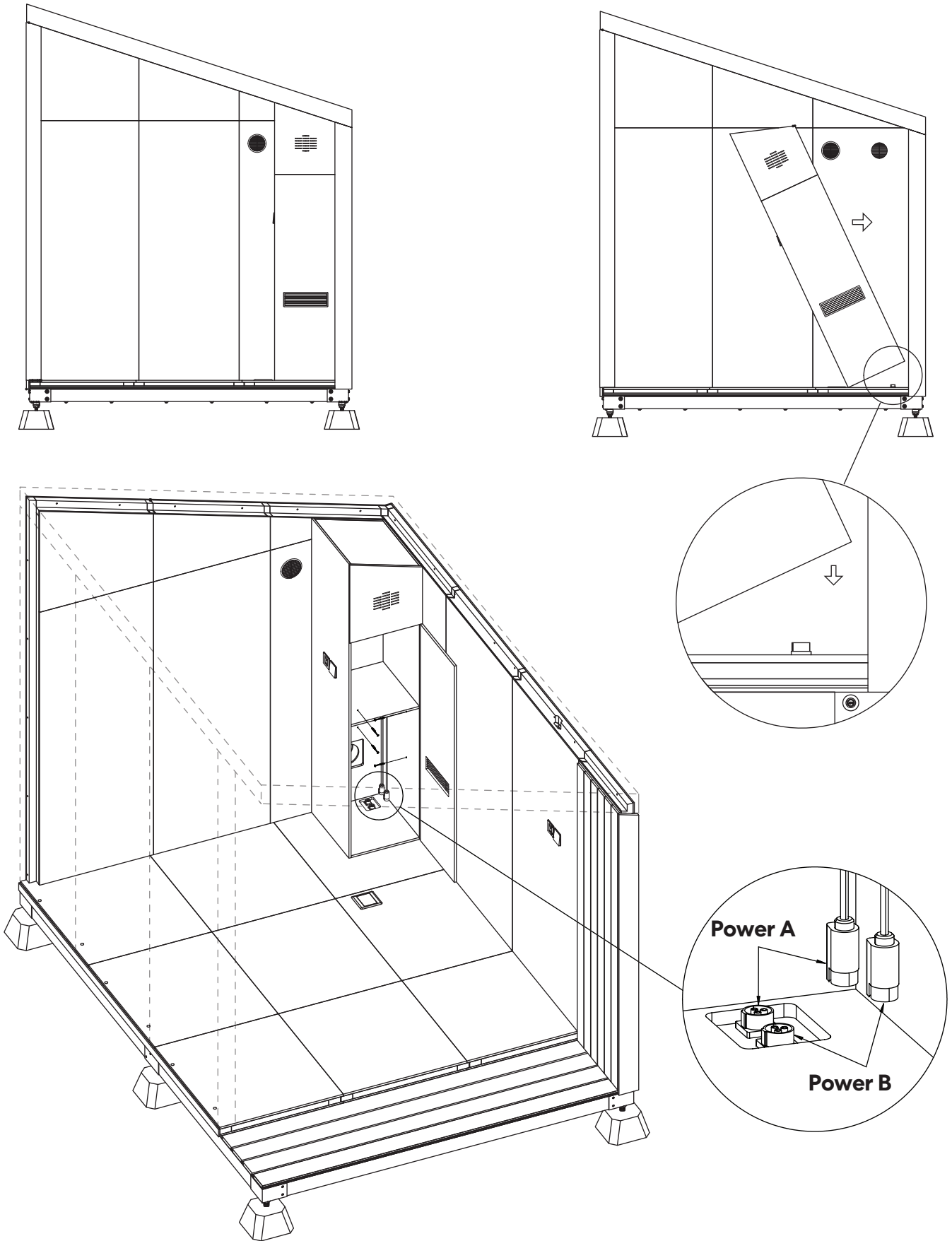
Roof A

Connect 2 adjacent walls with **Bolts - 1/4" x 2 3/4"**

Step 26

Install **Electrical cabinet**.

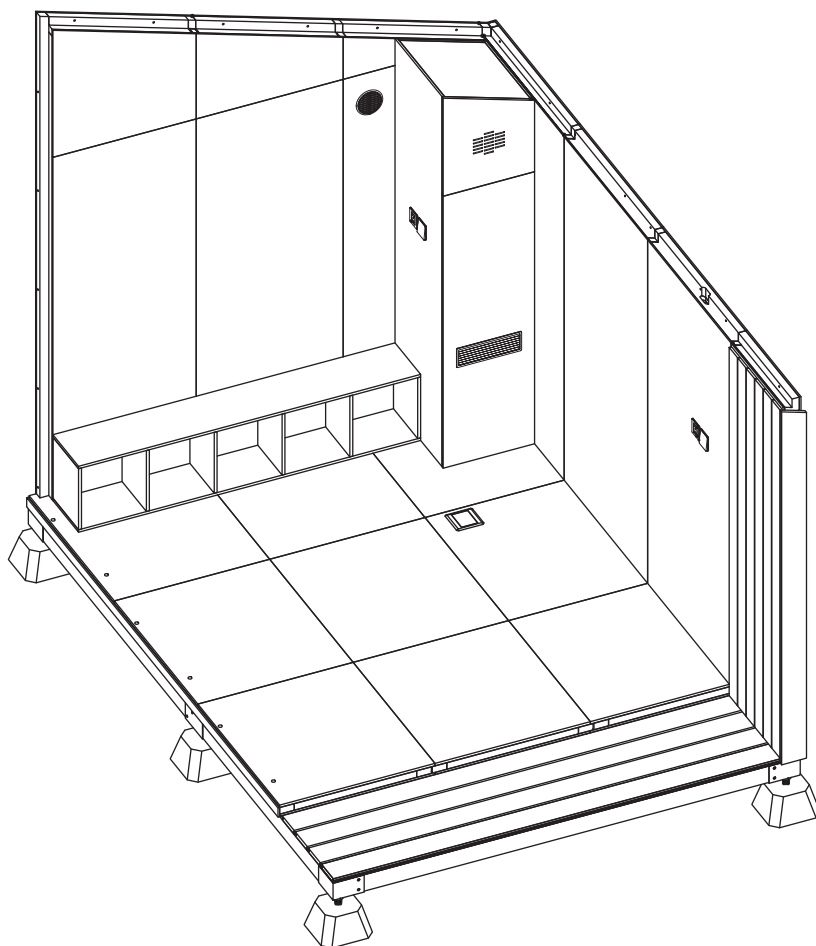
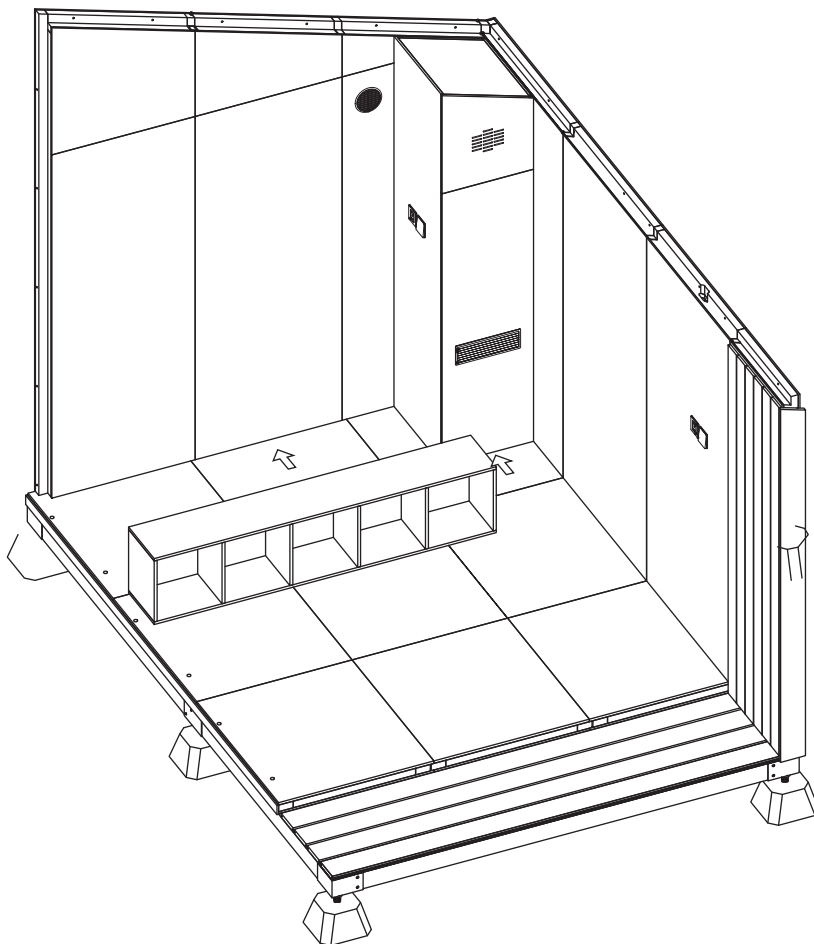
Tilt the **Electrical cabinet** into position, paying attention to the electrical connector on the floor.



Fix the electrical cabinet to the wall with wood screws and connect the electrical connectors according to their labels.

Step 27

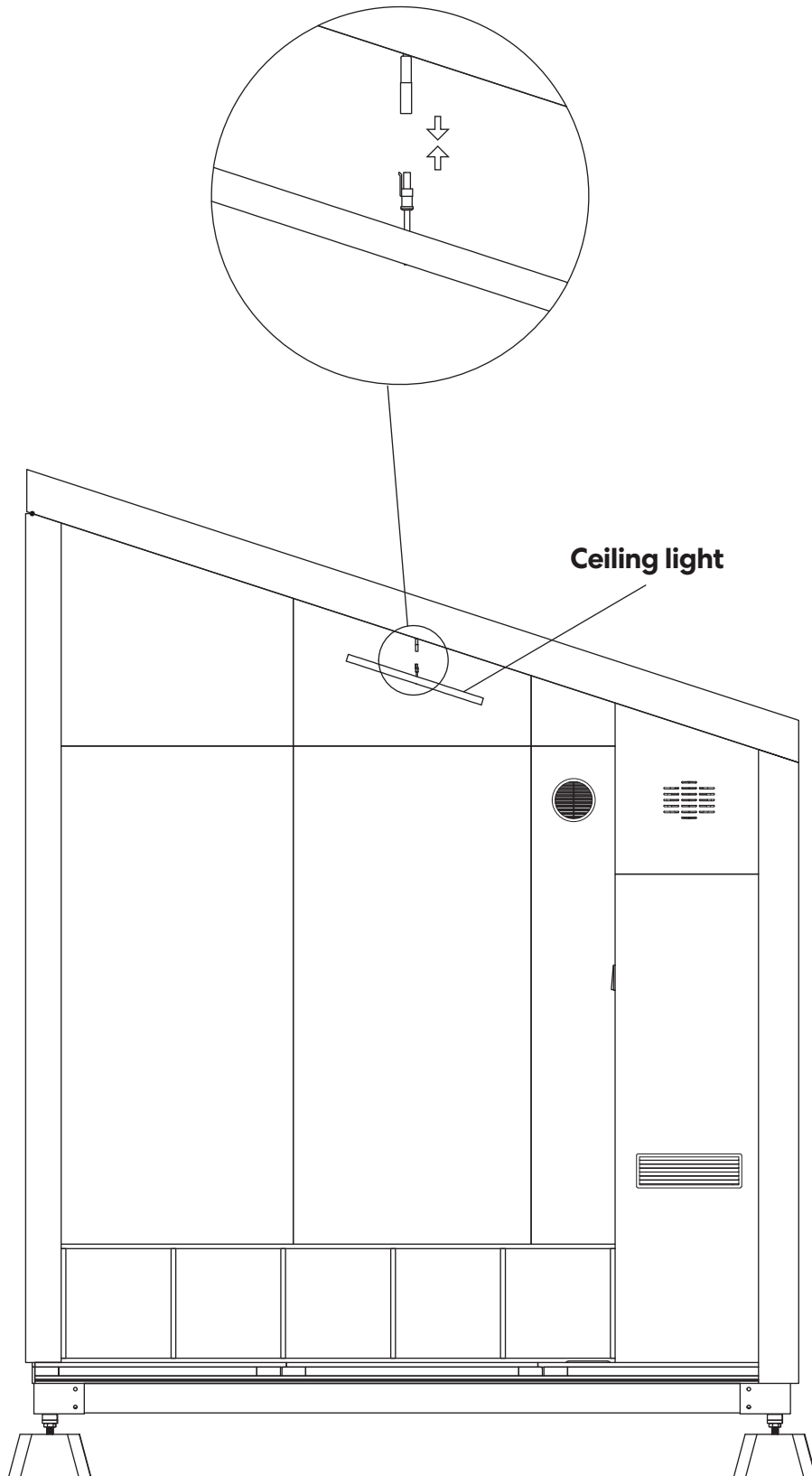
Install **Book shelf**.



Step 28

Install **Ceiling light**.

Connect the **Ceiling light** to the electrical connector of **Roof B**.

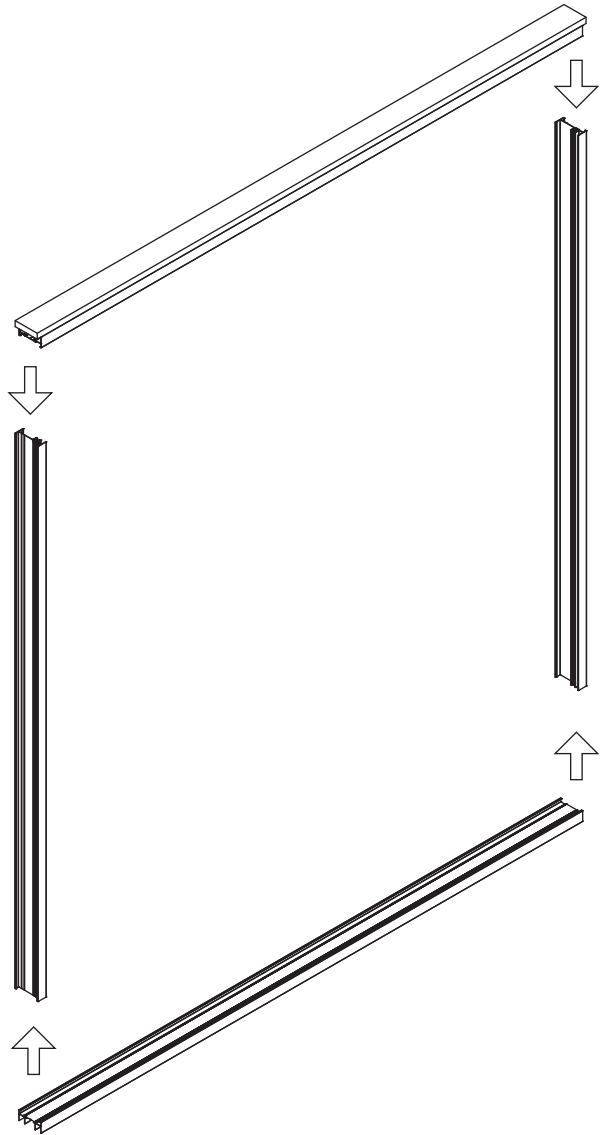


Step 29

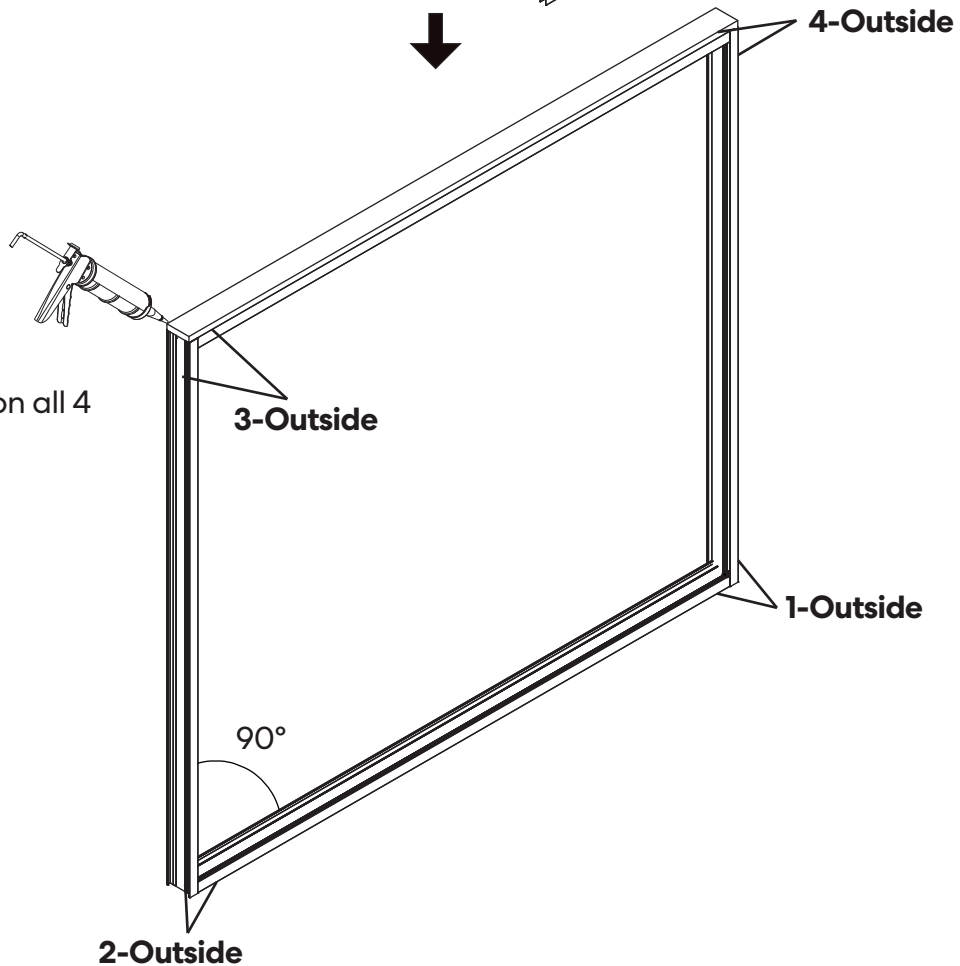
Install **Glass door**

1. Assemble the aluminum door frame according to the label

***Door frame is packed with triangle window (A330-P2B)**

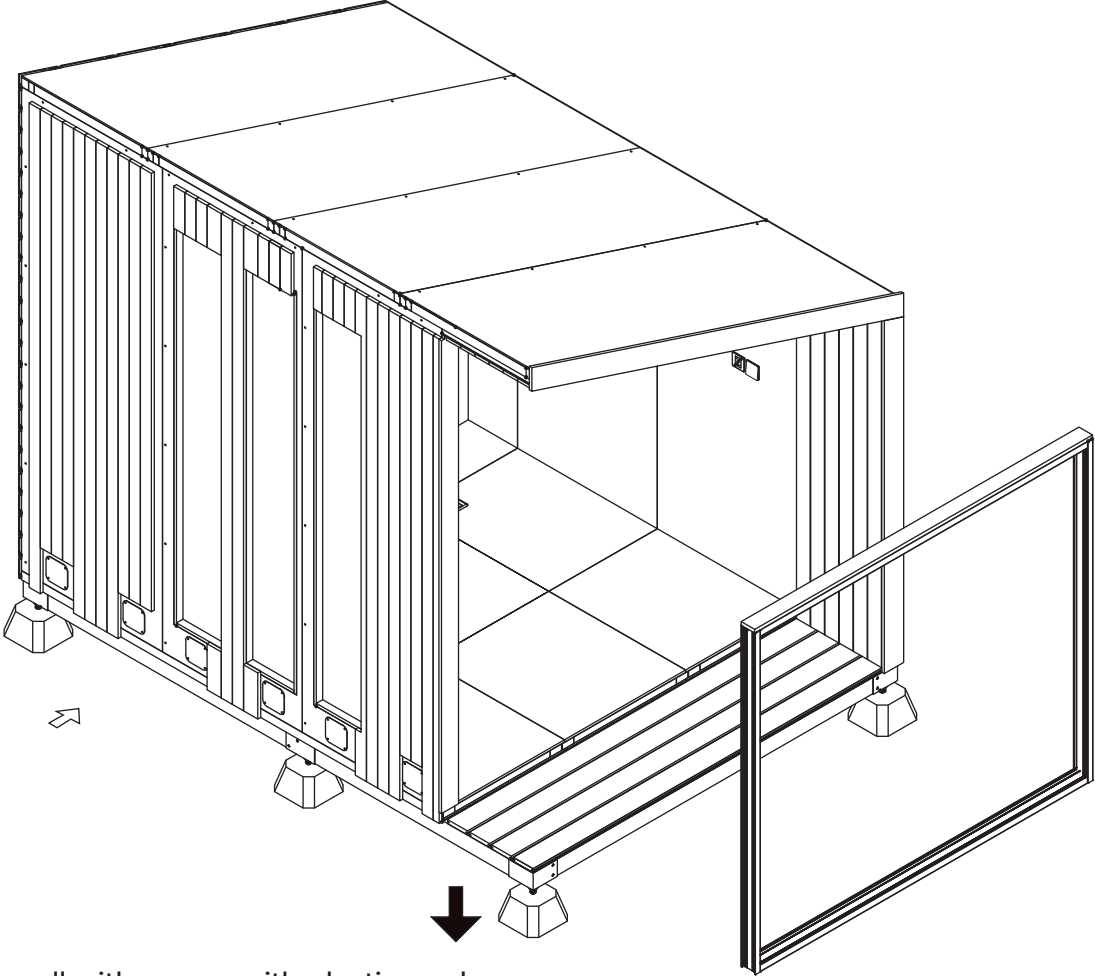


Use the included accessories to link the frames together, making sure that the corners are square.

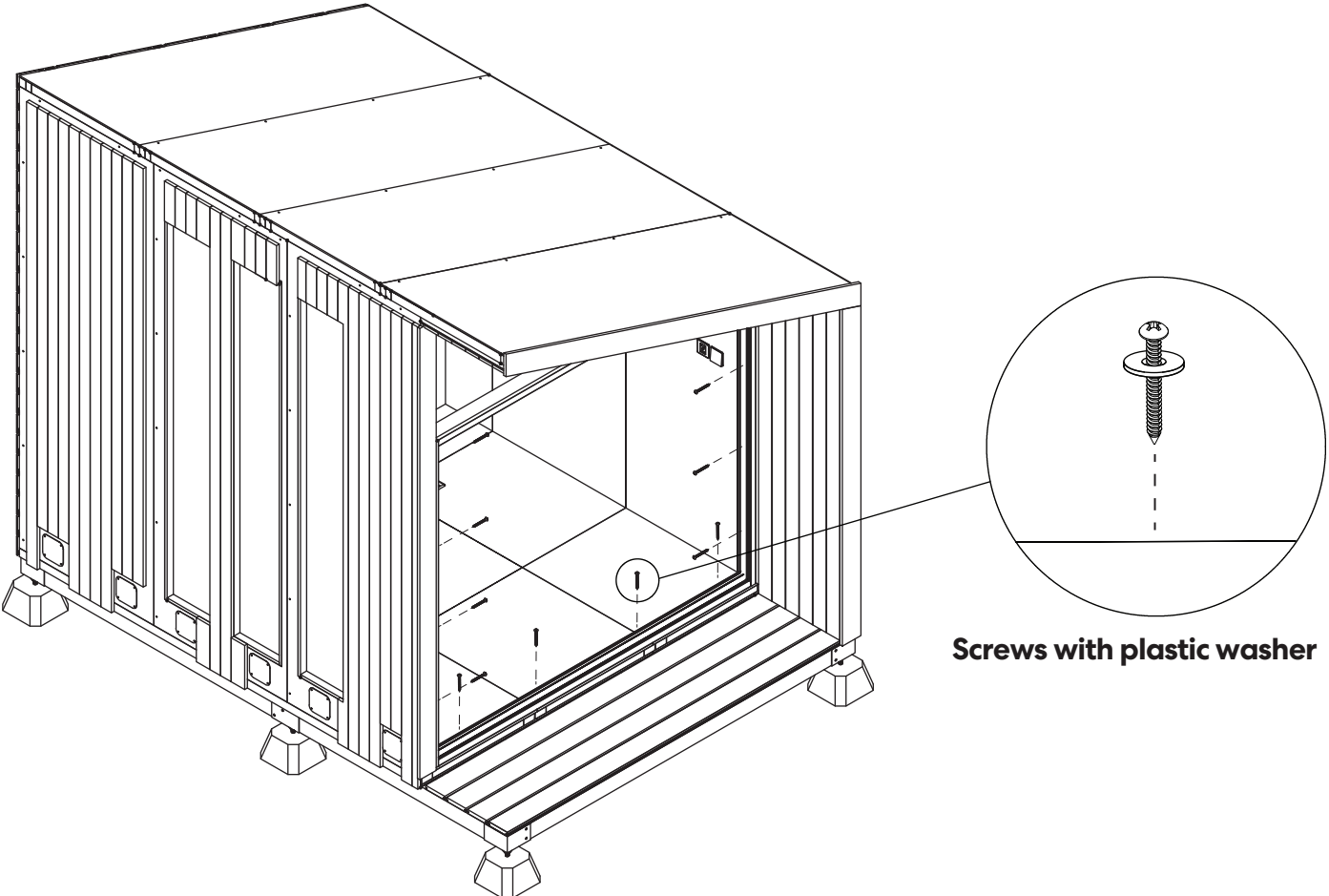


Apply silicone sealant on all 4 corner of the frame

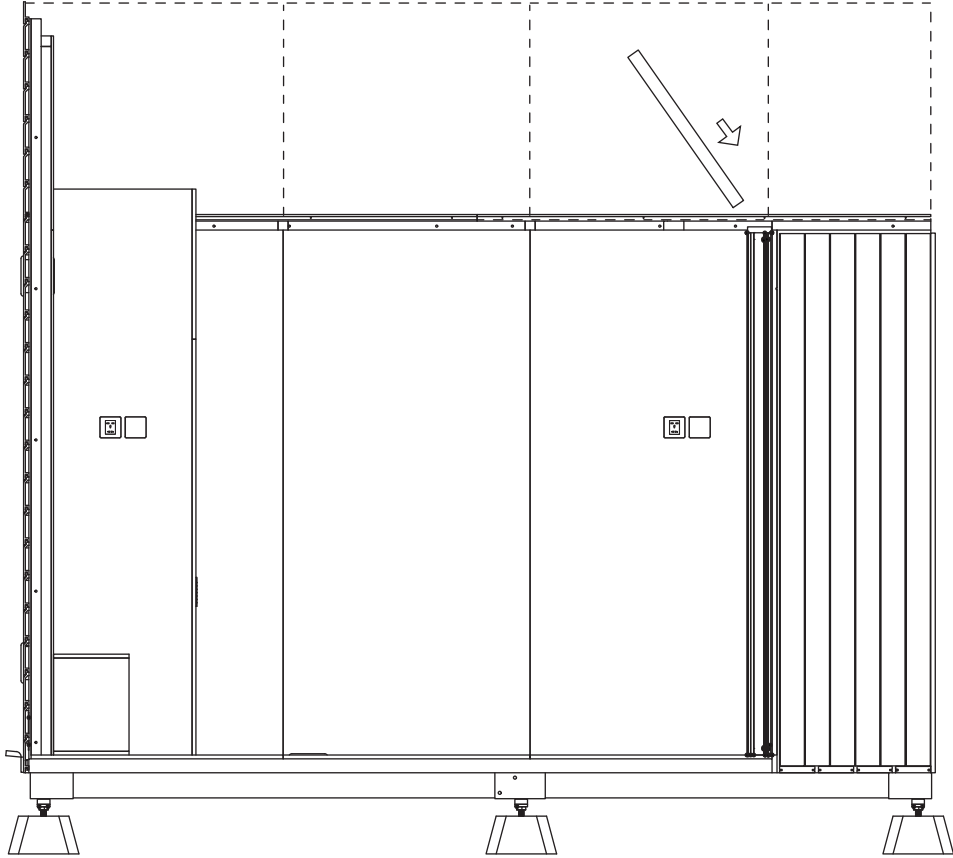
Position the door frame in place, making sure that the door frame is flush with the floor.



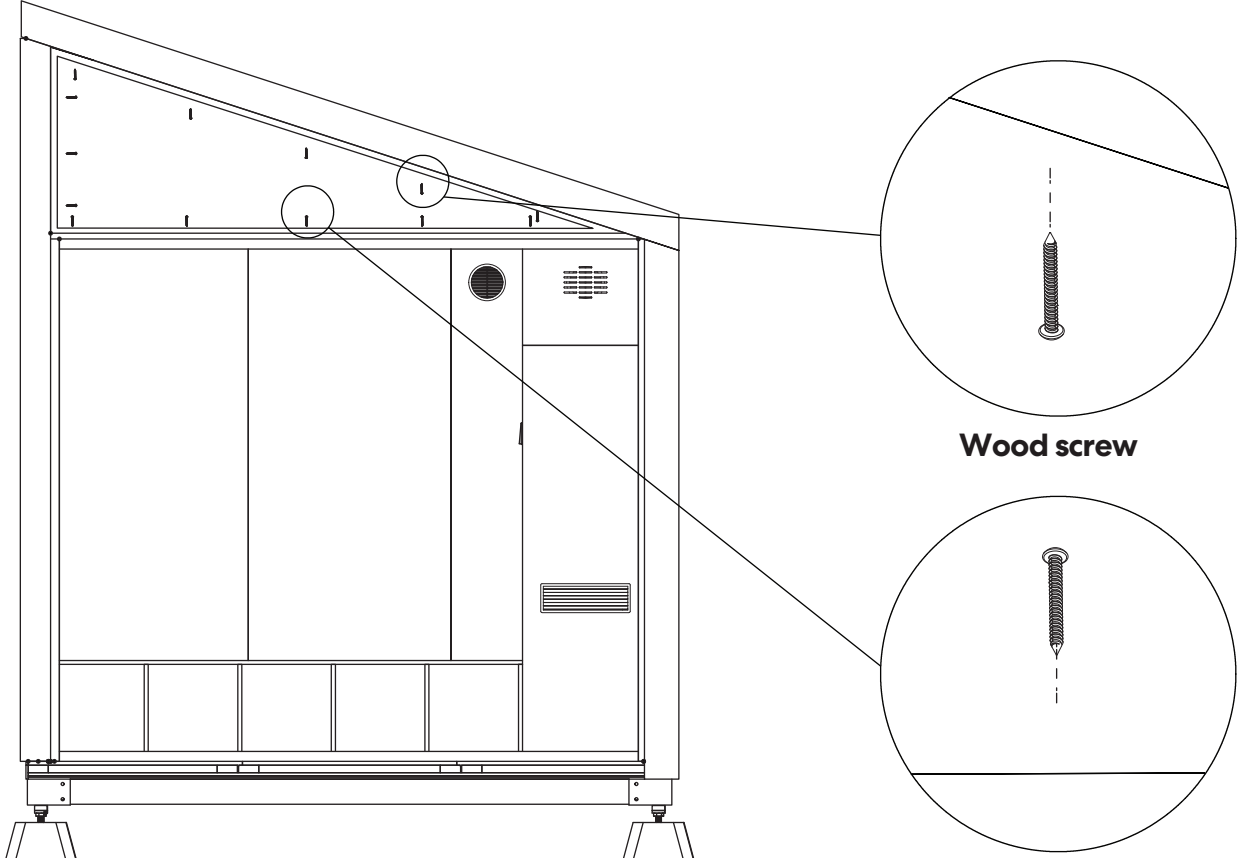
Fix the frame to the wall with screws with plastic washer



2. Tilt the triangle glass frame into position from inside Pod.



Fix the frame to the wall with screws with plastic washer

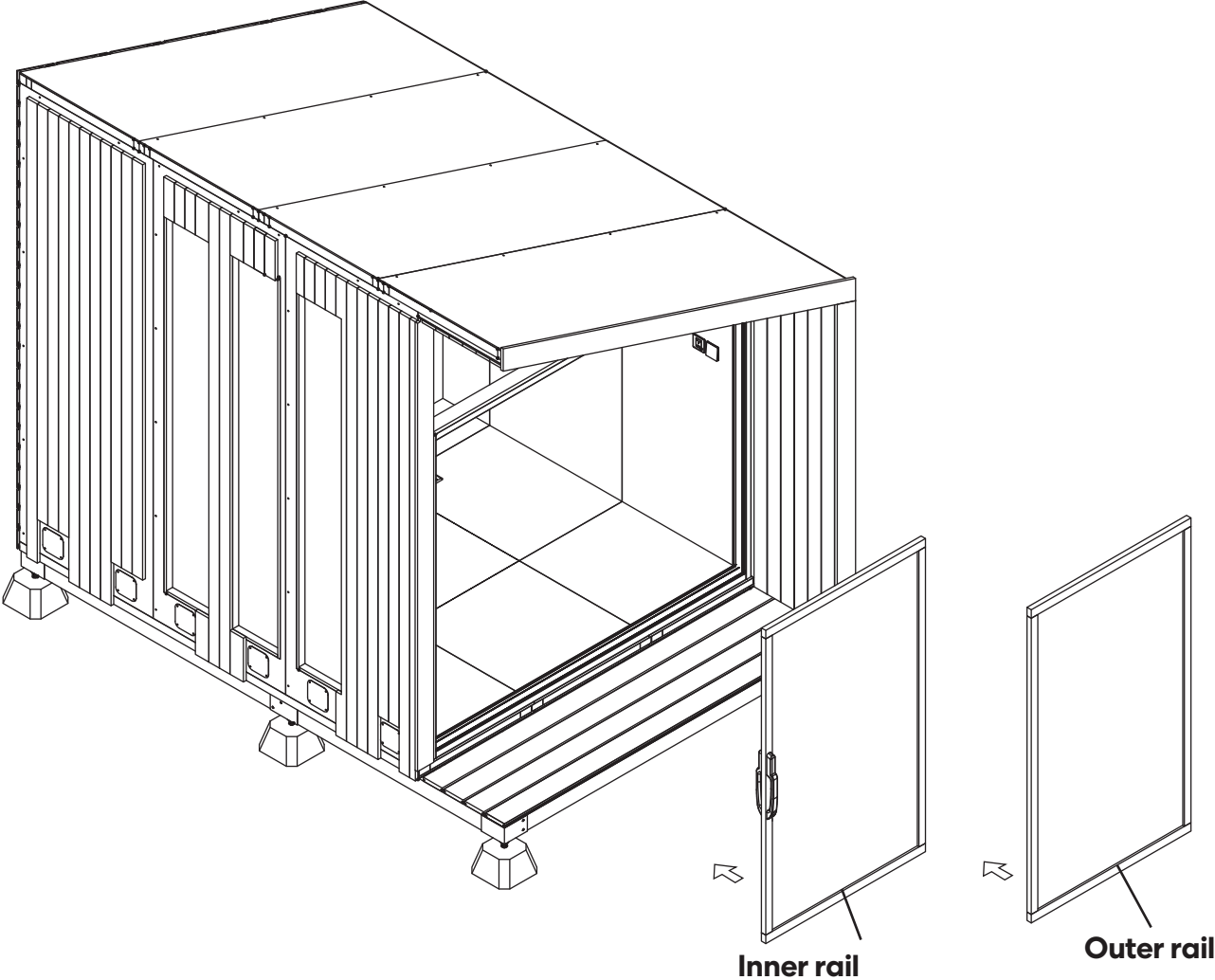


Wood screw

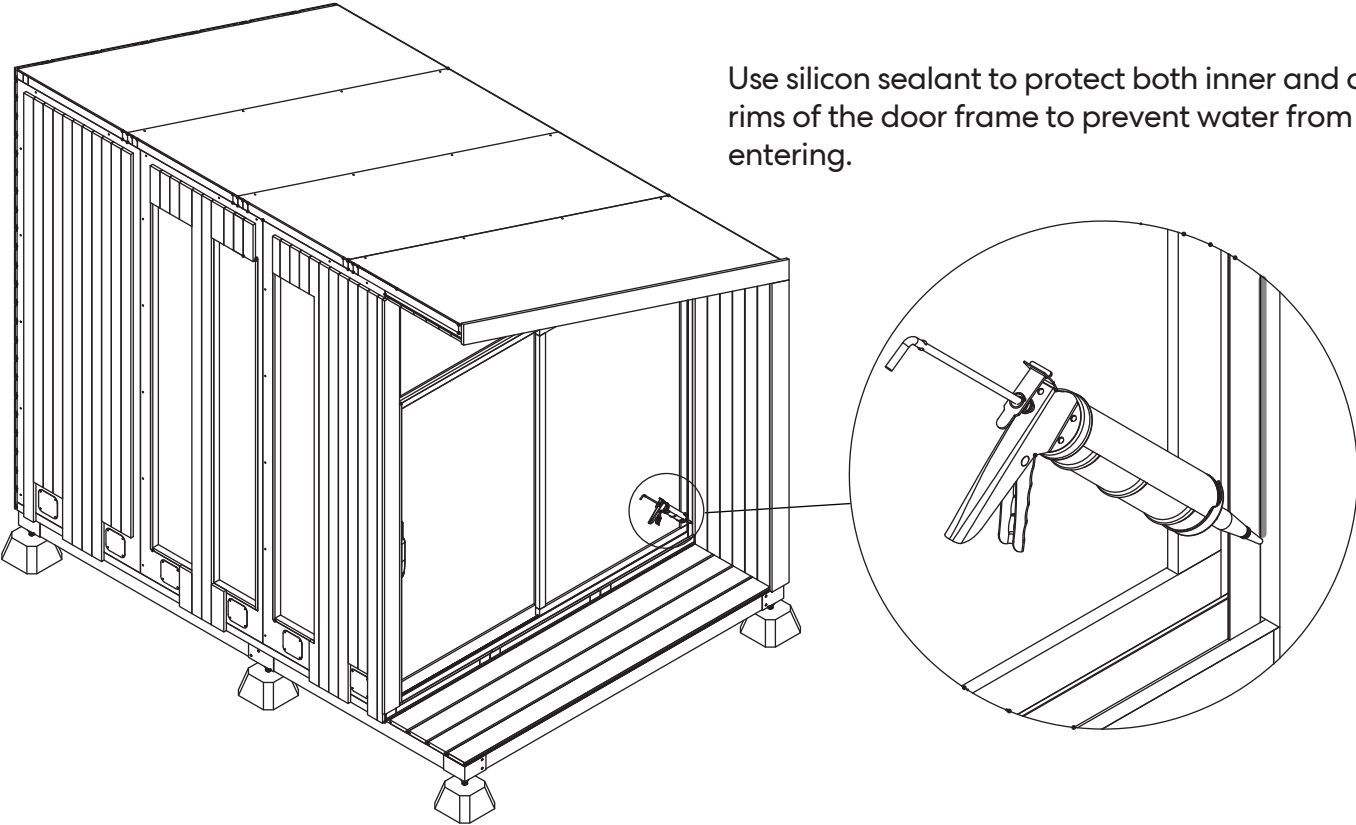
Aluminum screw

***Screws are packed in door handle box**

3. First install the door with the handle to the inner rail, then install the other door to the outer rail.

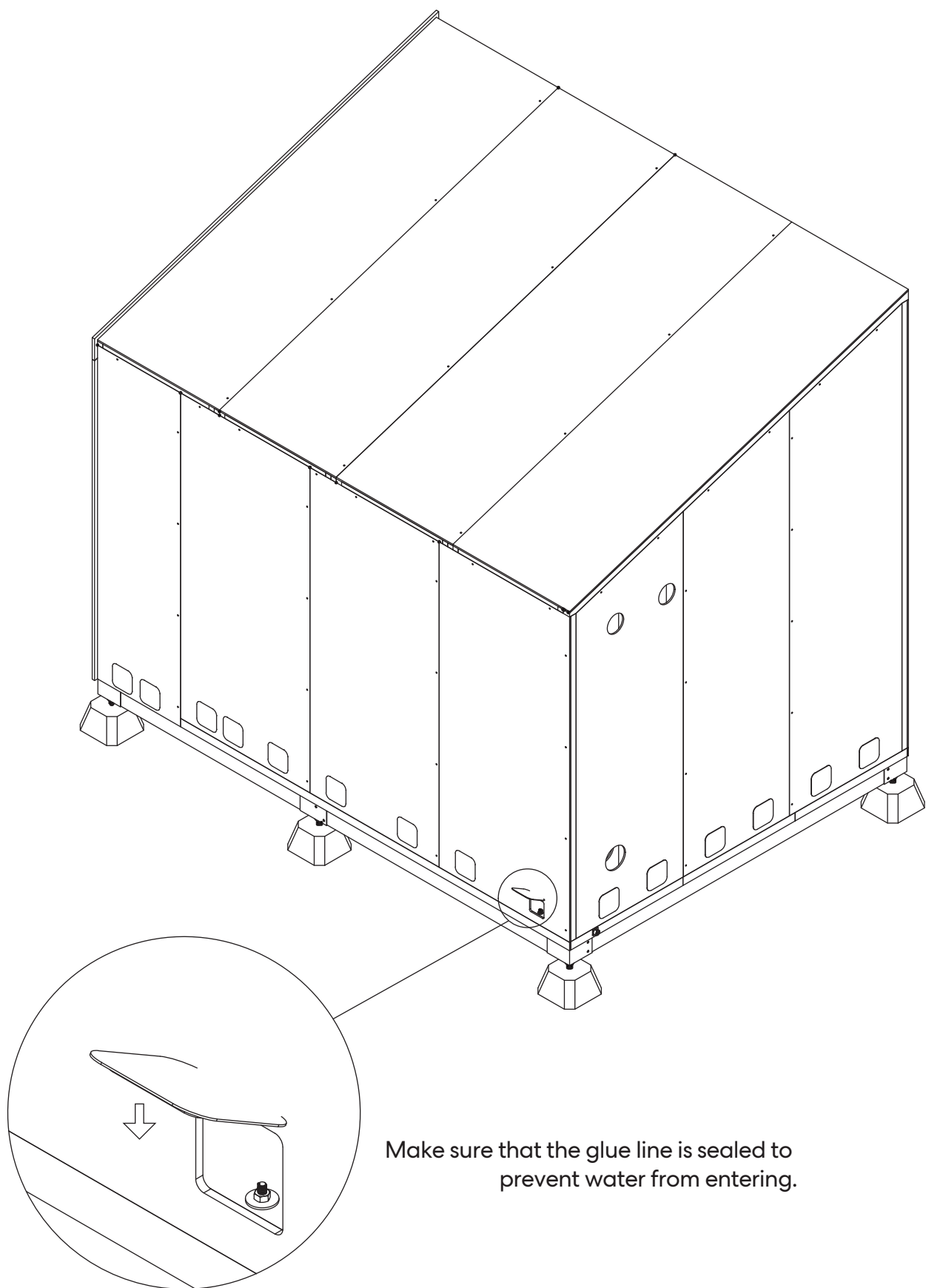


Use silicon sealant to protect both inner and outer rims of the door frame to prevent water from entering.



Step 30

Peel the glue off all covers and stick them in place.

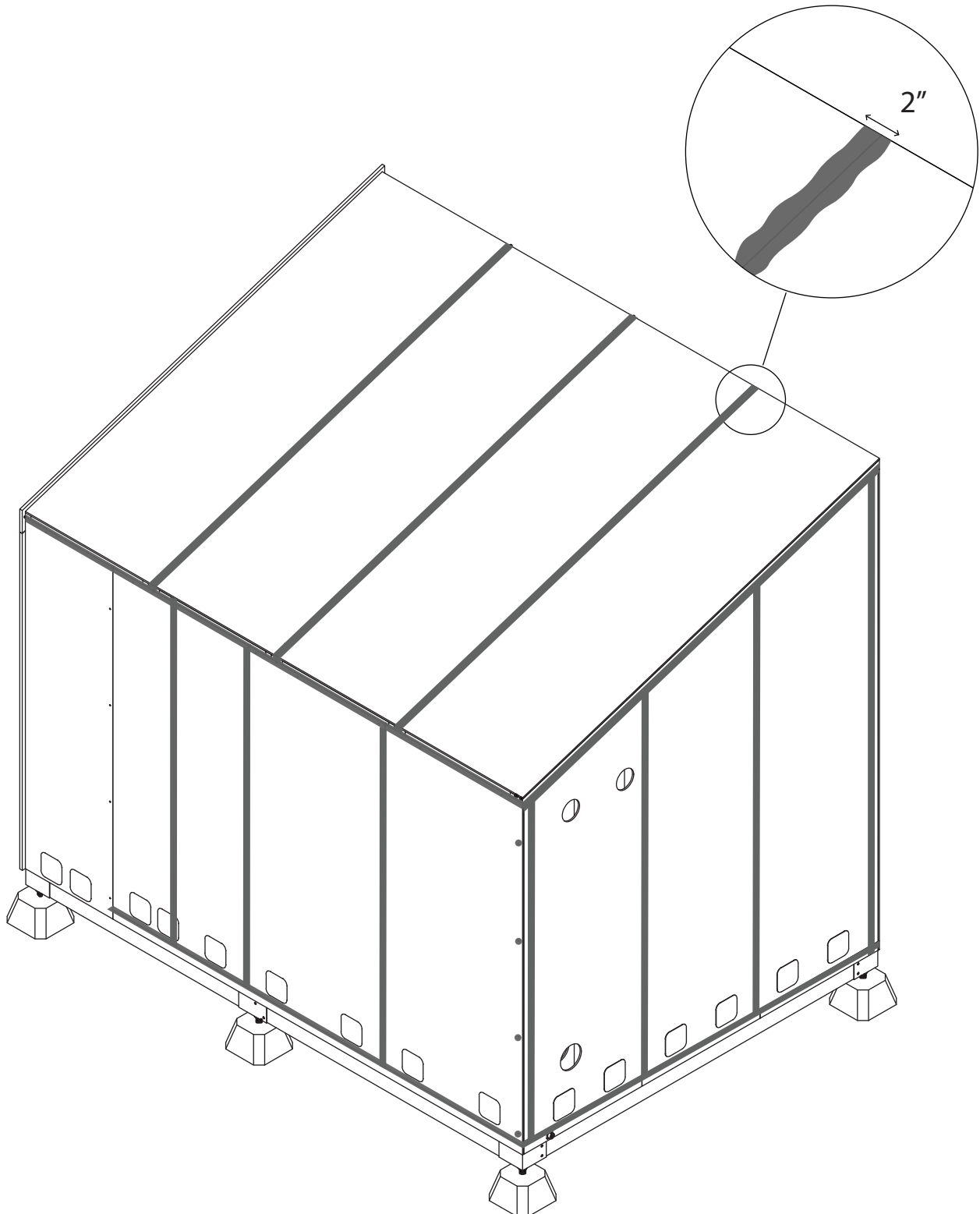


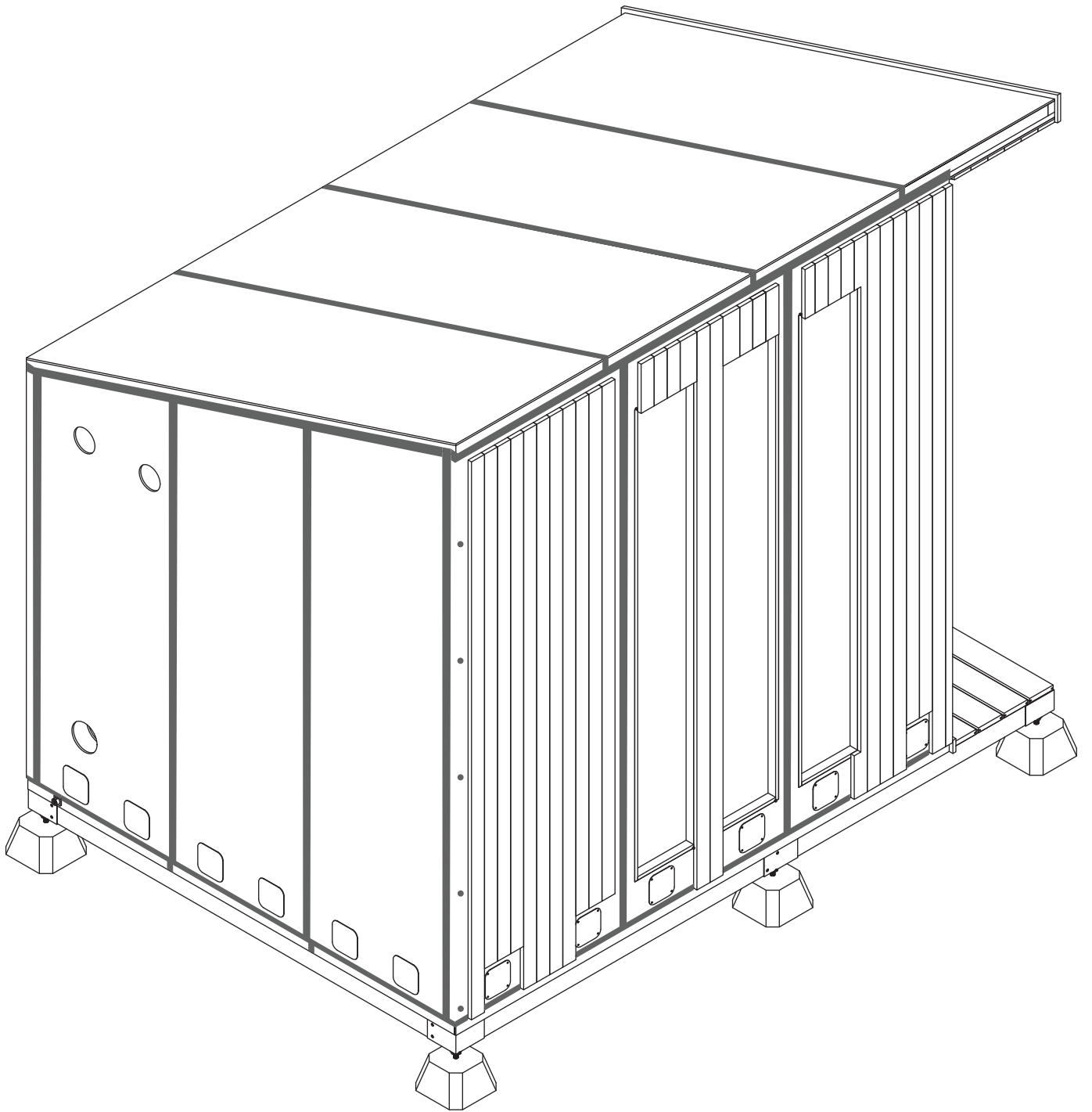
Make sure that the glue line is sealed to prevent water from entering.

Step 31

Apply **Henry 208 Wet Patch Roof Cement** to all seams on the outside of the Pod (seams between panels, screw holes...)

1. Clean dirt and loose material from surface.
2. Apply **Henry 208** with a trowel or putty knife so that all the seams and screw hole are filled
3. Apply a 1/8 inch thick layer, spilling over the sides of the seam by about 1 inch, feathering the edges

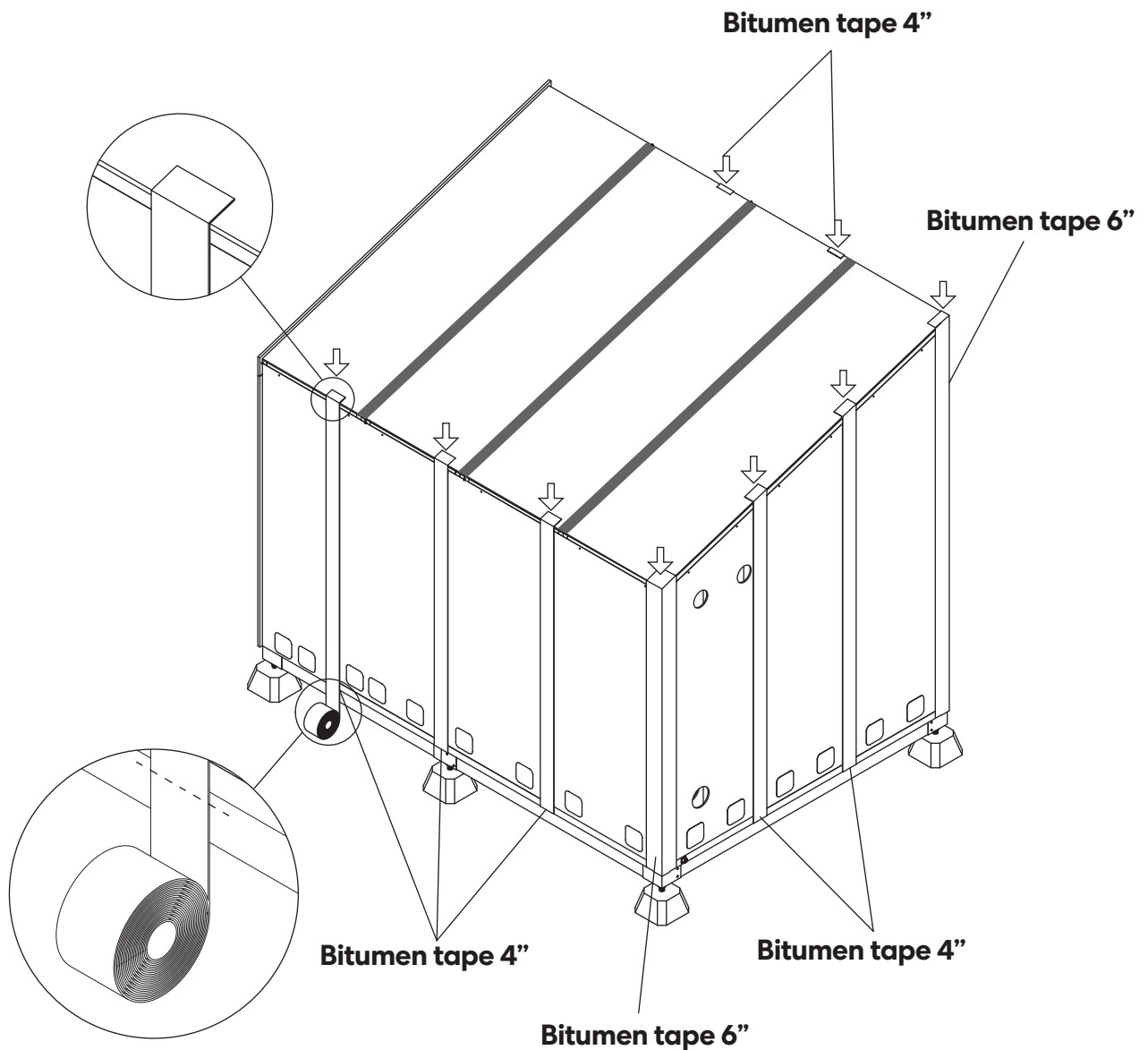




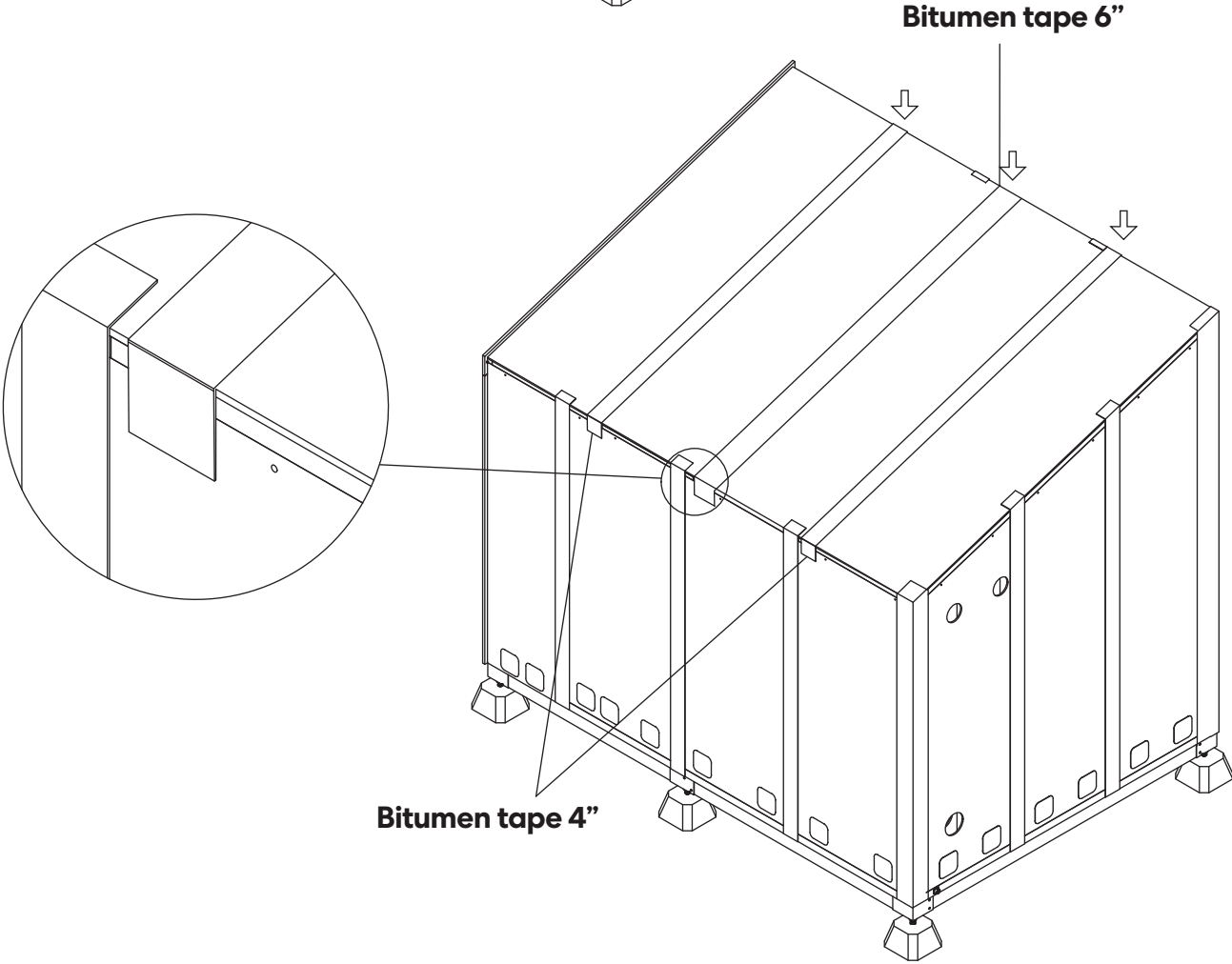
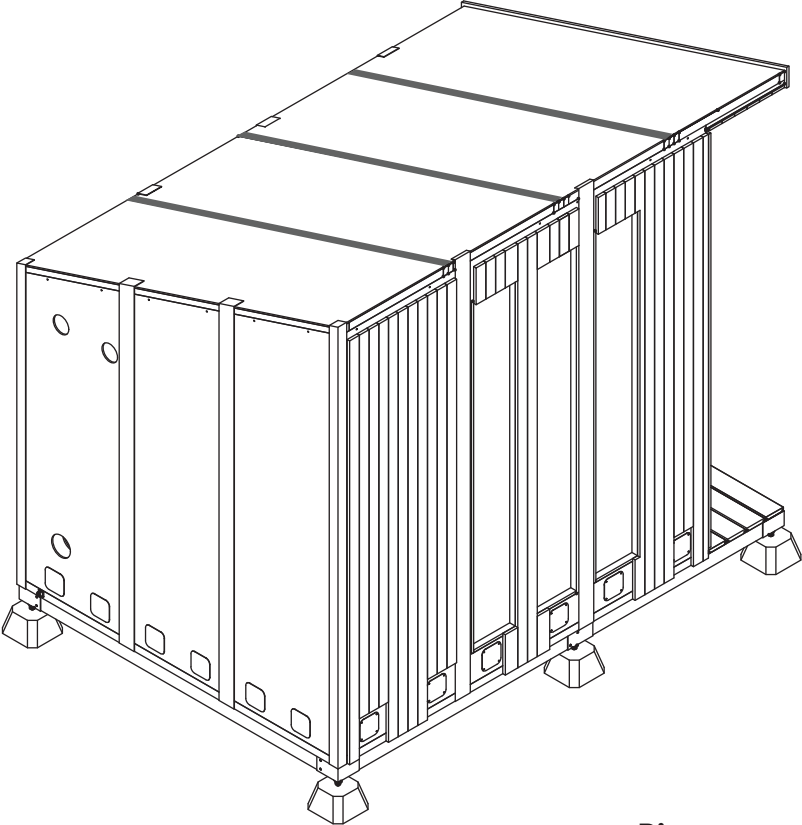
Step 32

Protect all seams between components using bitumen. It is very important to do it properly, otherwise the seams won't seal and water can get in.

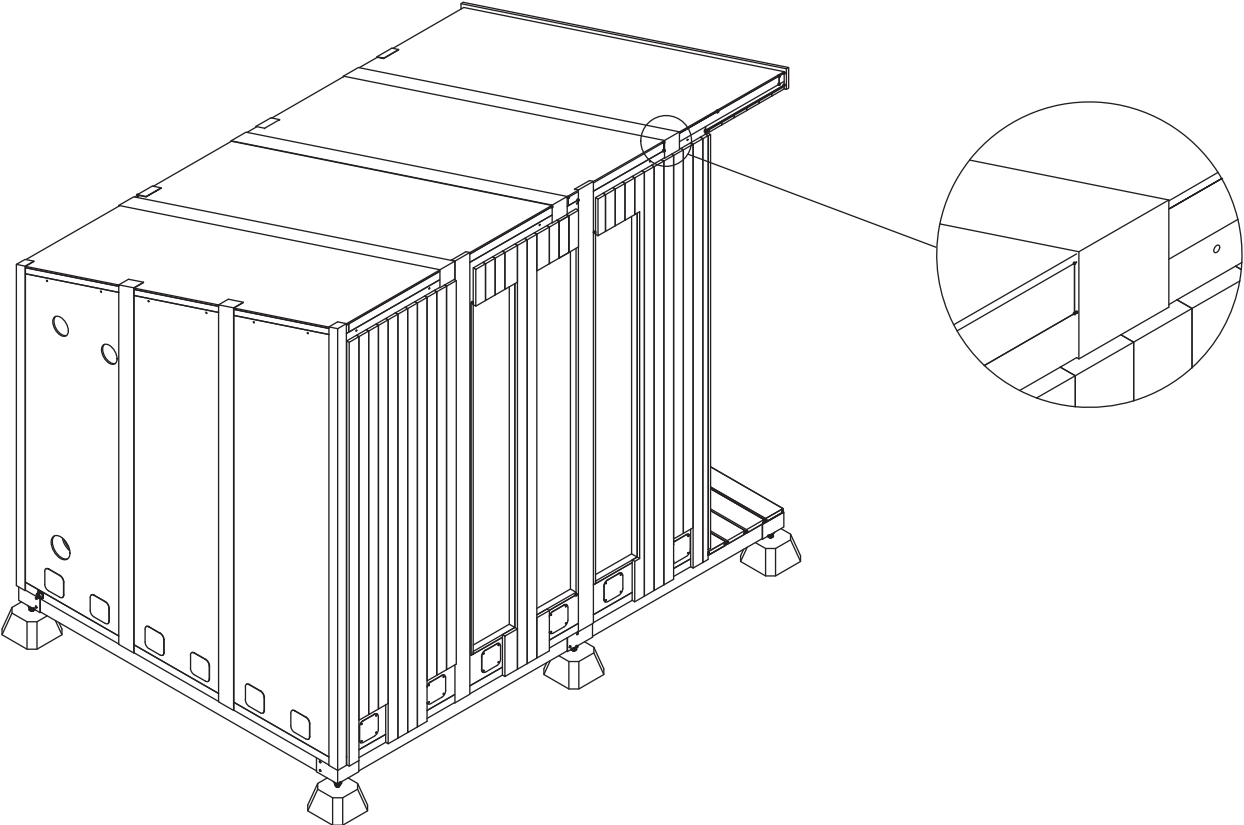
1. Remove the protective layer
2. Melt bitumen roll surface (using heat gun or hair dryer)
3. Use a bitumen roll to seal the seam straight and not wrinkle
4. Use a rubber hammer to tap the entire bitum line to press the surface
5. Check to see if there are any non-stick areas with your hands



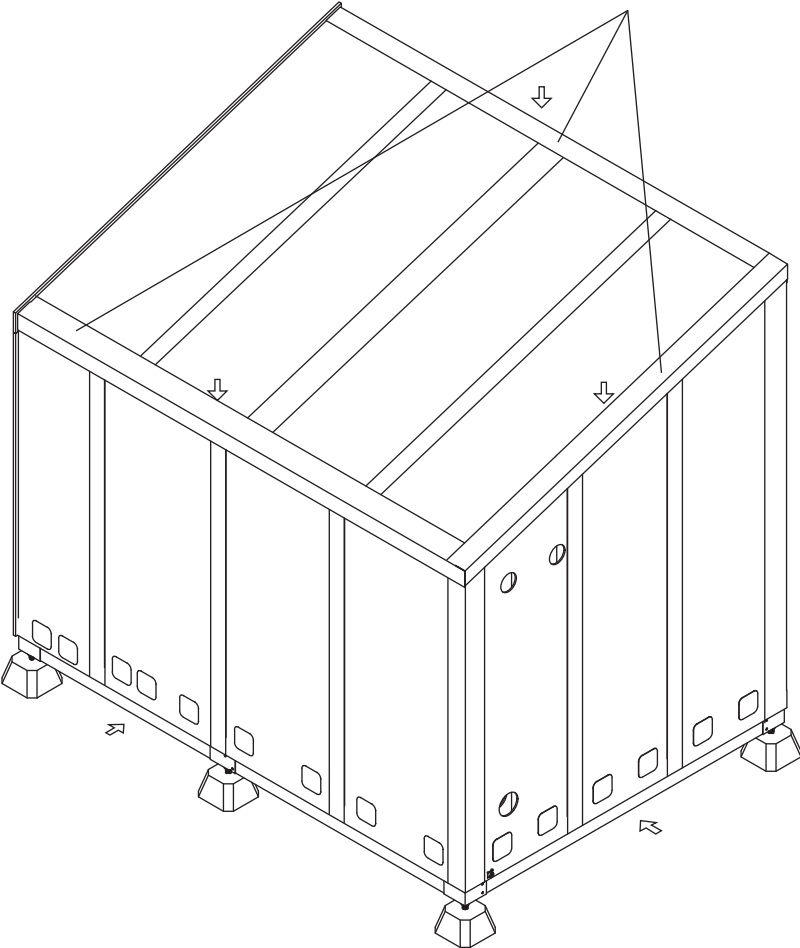
Protect all seams between components using bitumen.



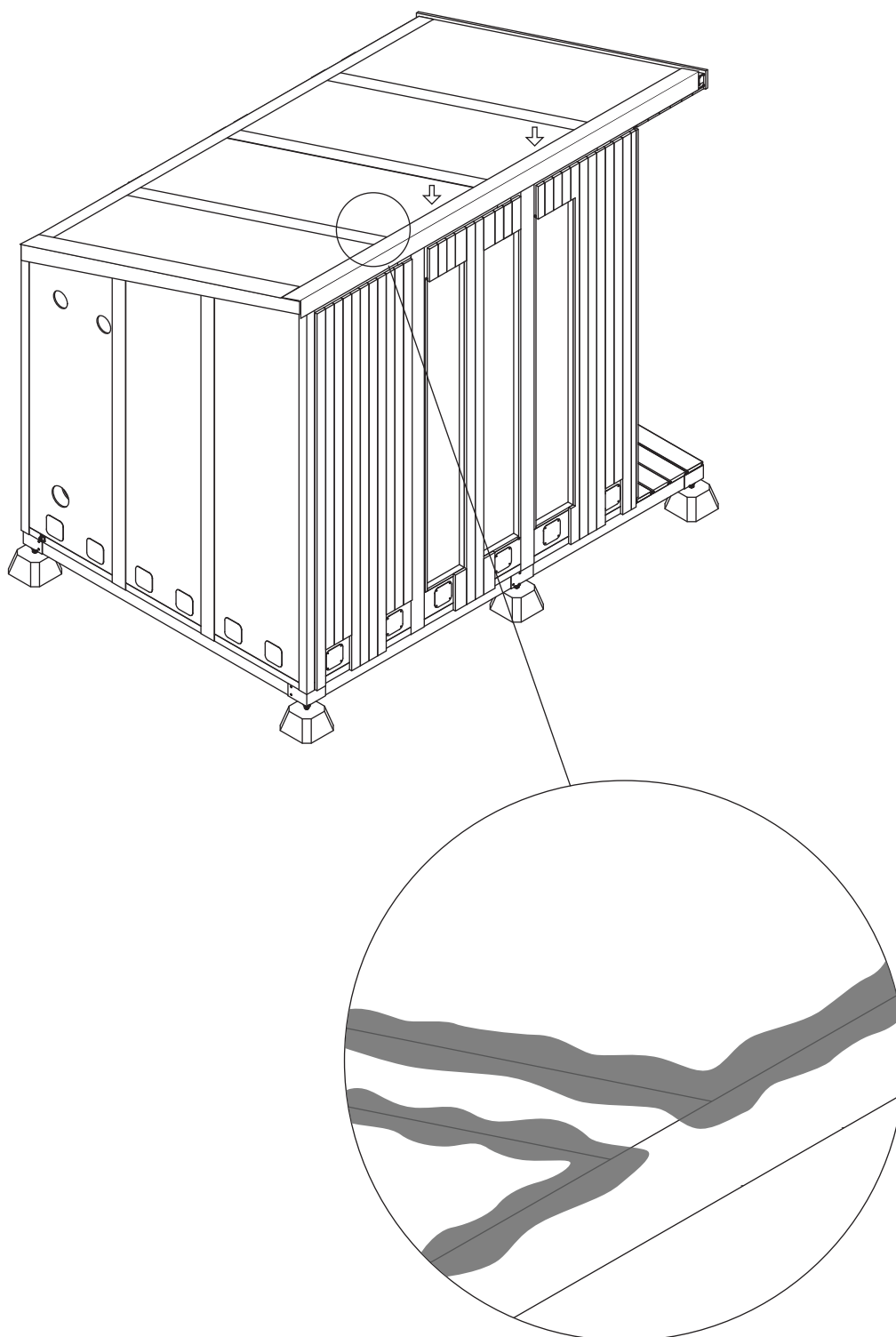
Protect all seams between components using bitumen.



Bitumen tape 6"



Protect all seams between components using bitumen.

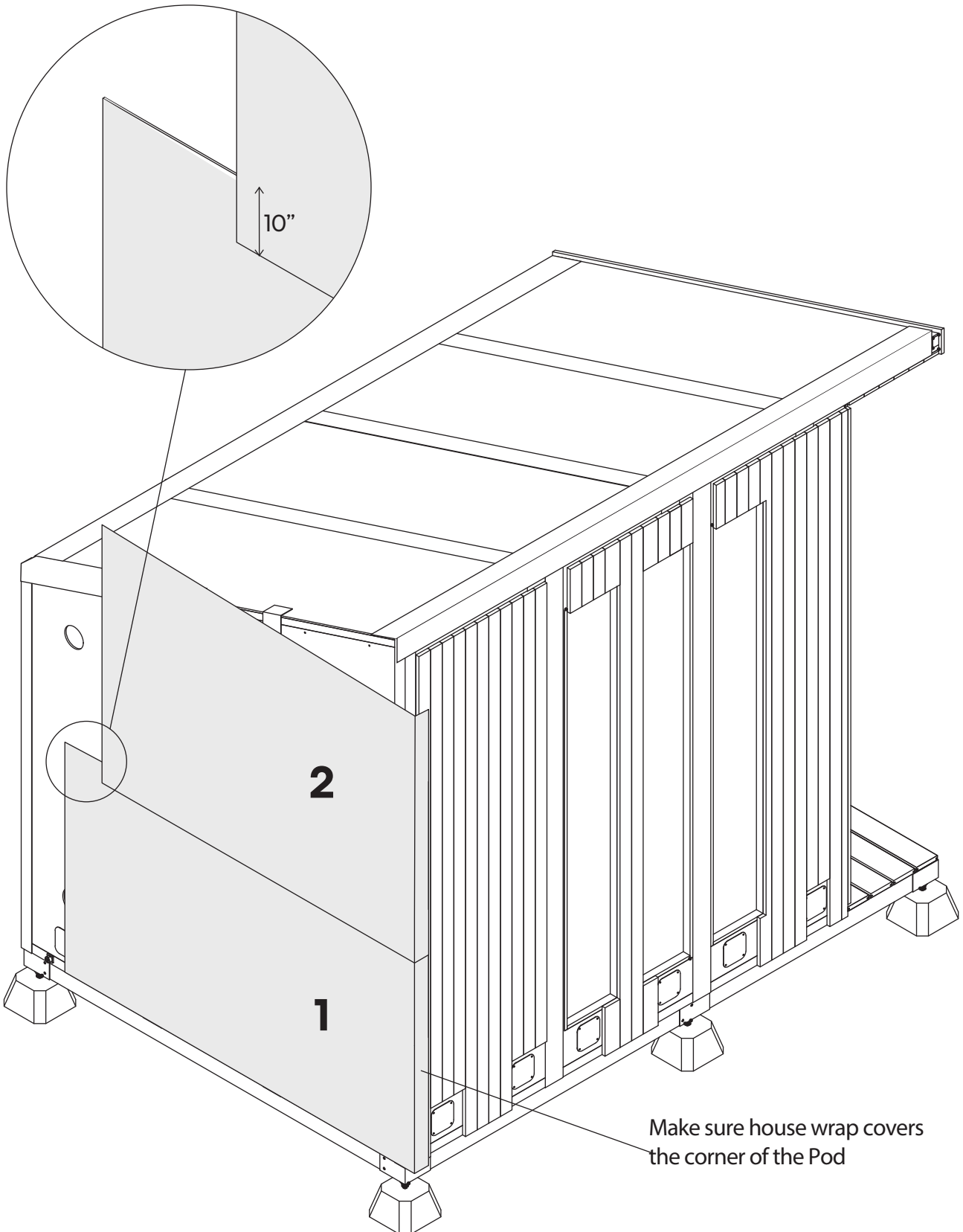


Apply **Henry 208** to the edge of the bitumen line for extra protection

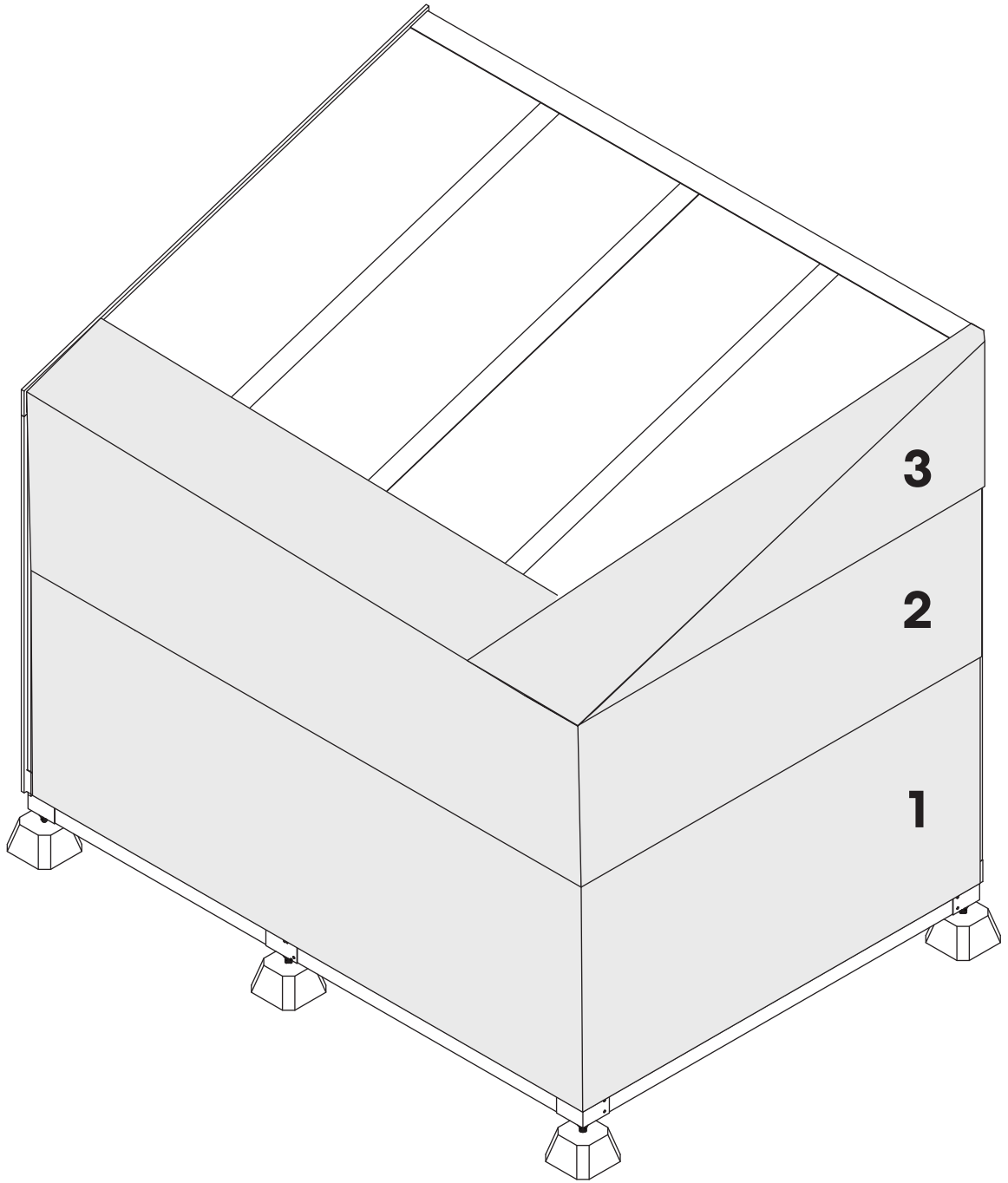
Step 33

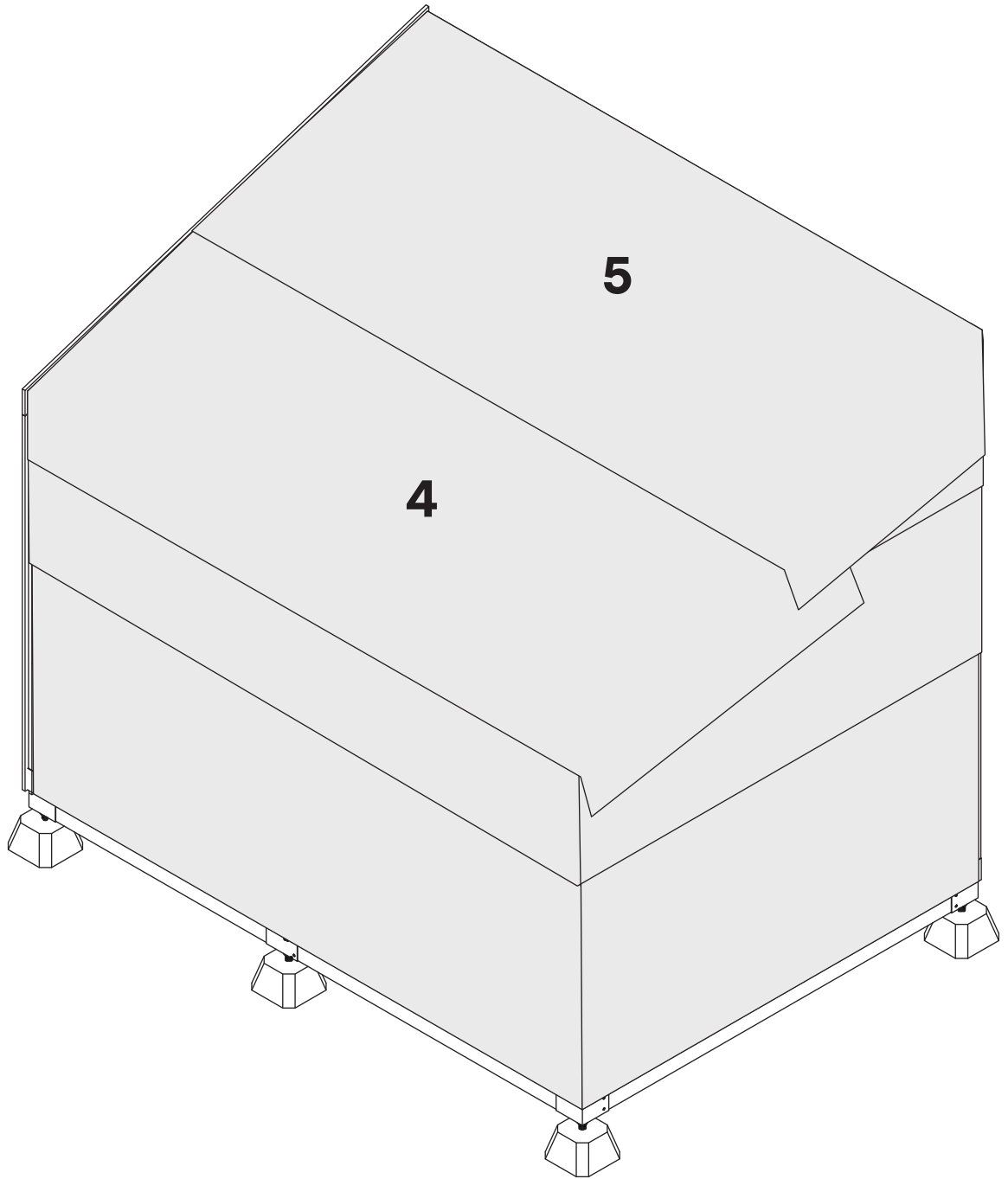
Install **HouseWrap** in the order below

1. Installing the first course, start at the bottom of “Right wall C” with rough side facing out
2. Fastening the housewrap using plastic cap nail
3. Installing the second course, be sure to overlap the bottom layer by a minimum of 10 inch
4. Taping all seams and penetration using construction tape

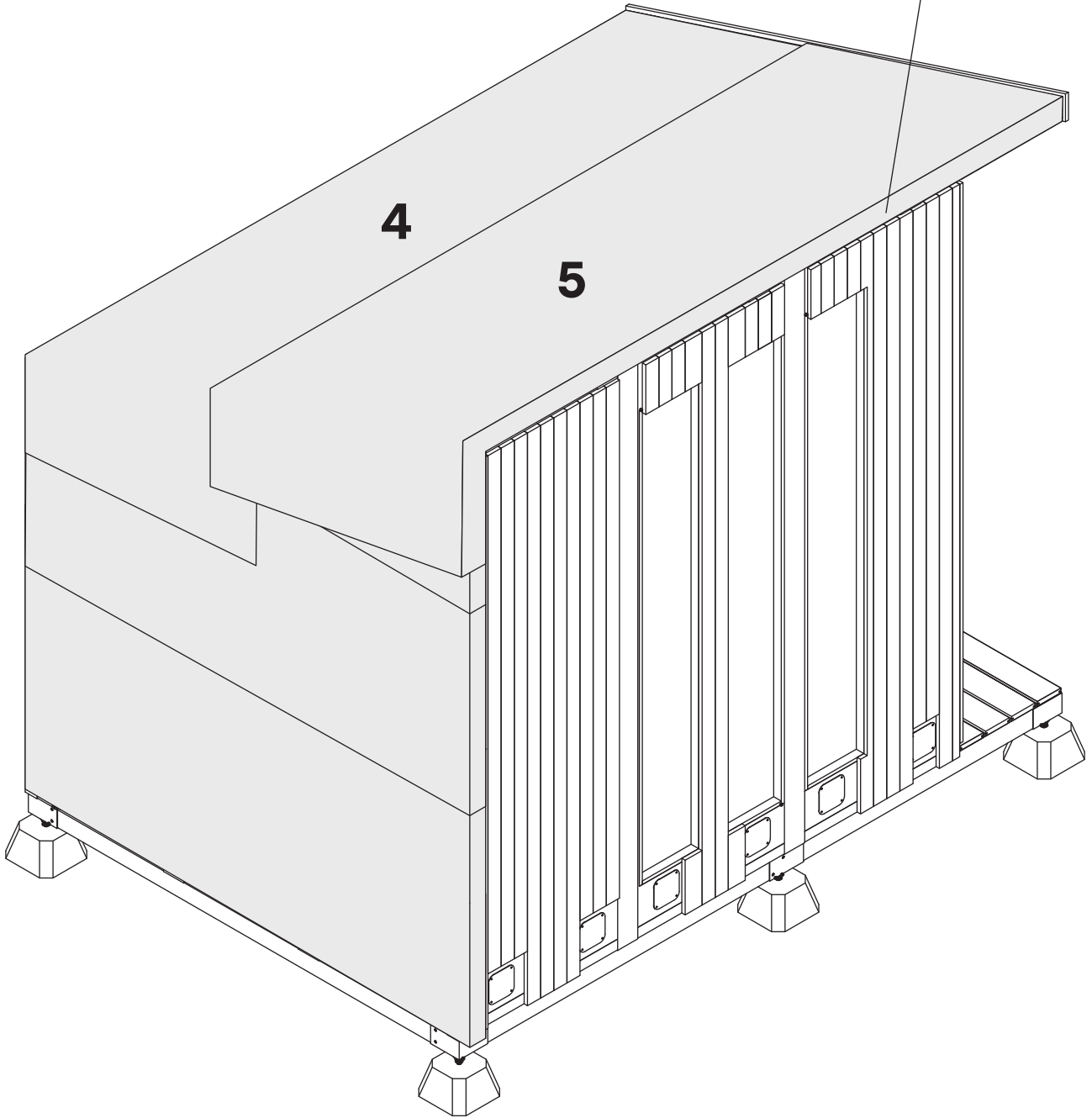


Make sure house wrap covers the corner of the Pod



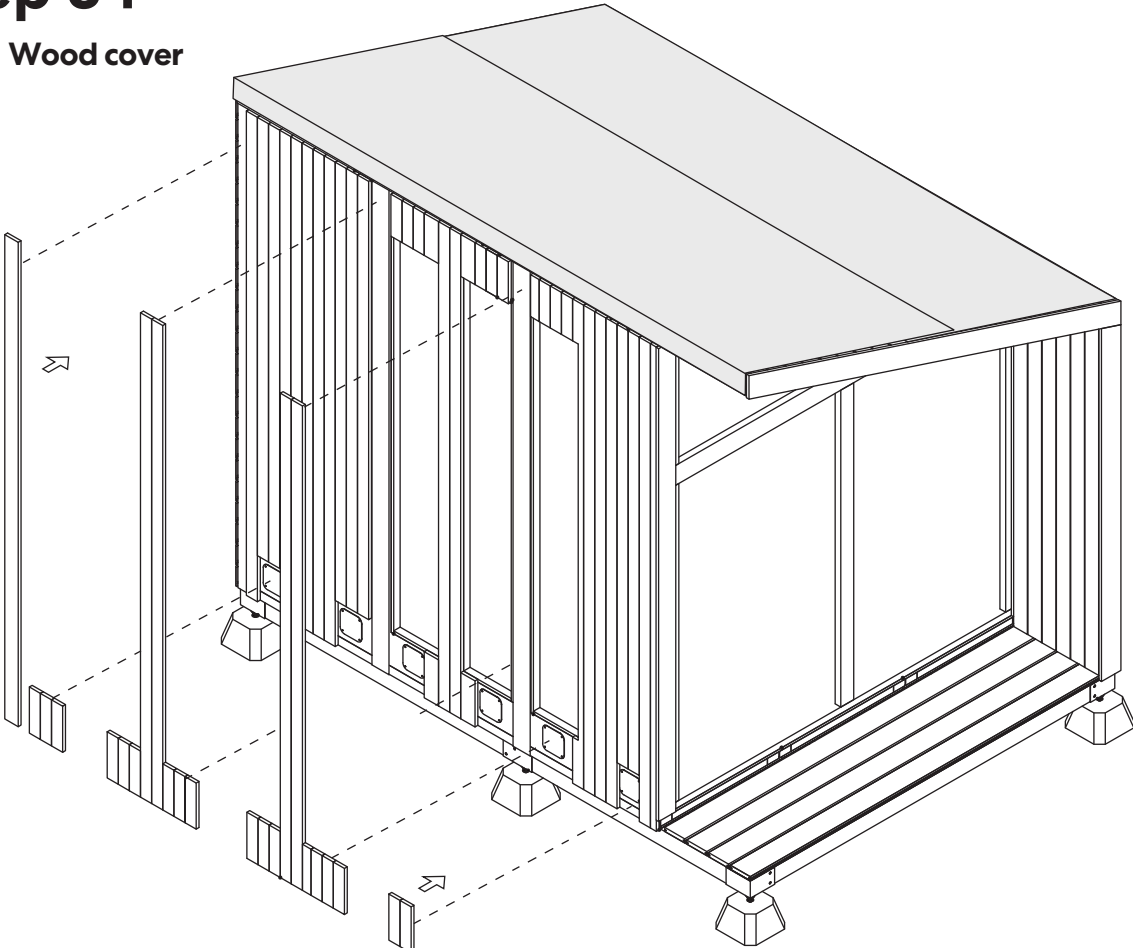


Make sure house wrap covers the corner of the Pod

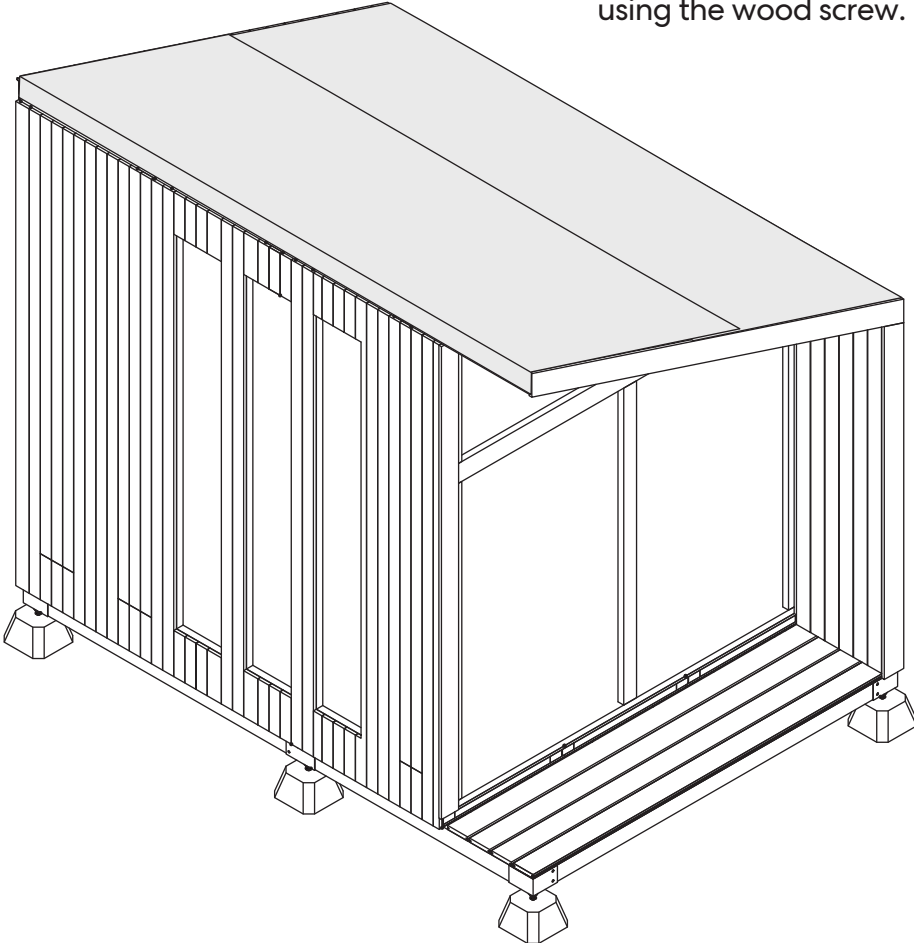


Step 34

Install **Wood cover**



Reinstall **Wood cover** and fix it in place using the wood screw.



Step 35

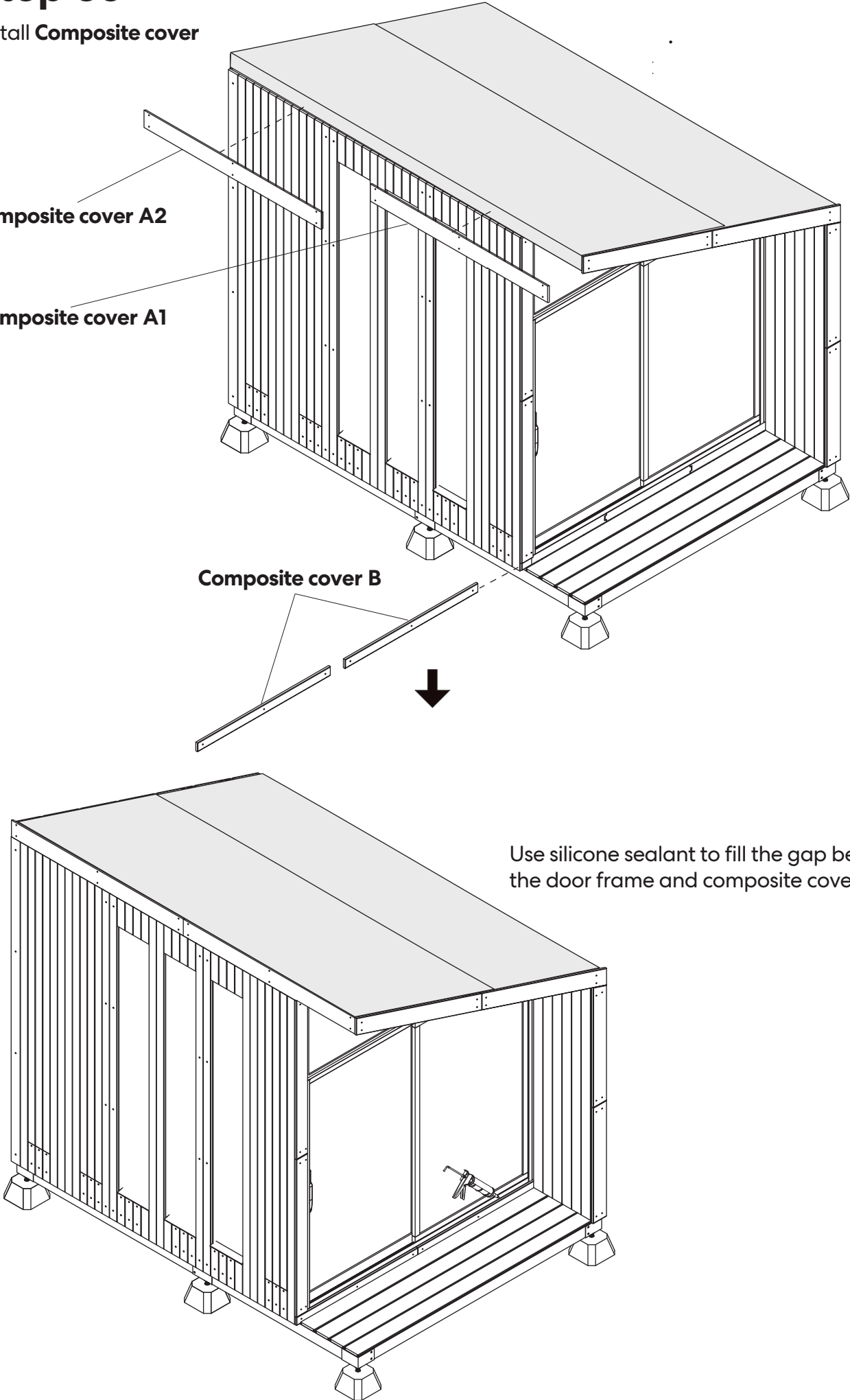
Install **Composite cover**

Composite cover A2

Composite cover A1

Composite cover B

Use silicone sealant to fill the gap between the door frame and composite cover

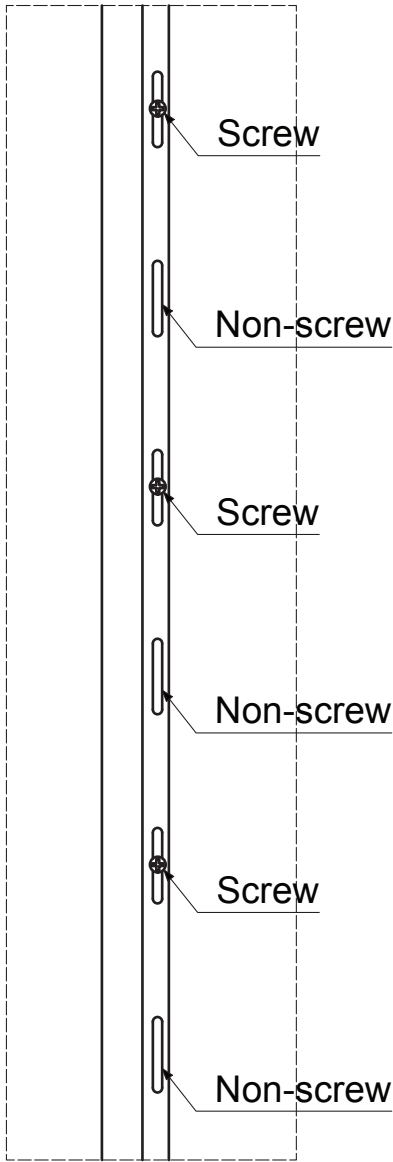


VINYL SCREWING INSTRUCTIONS

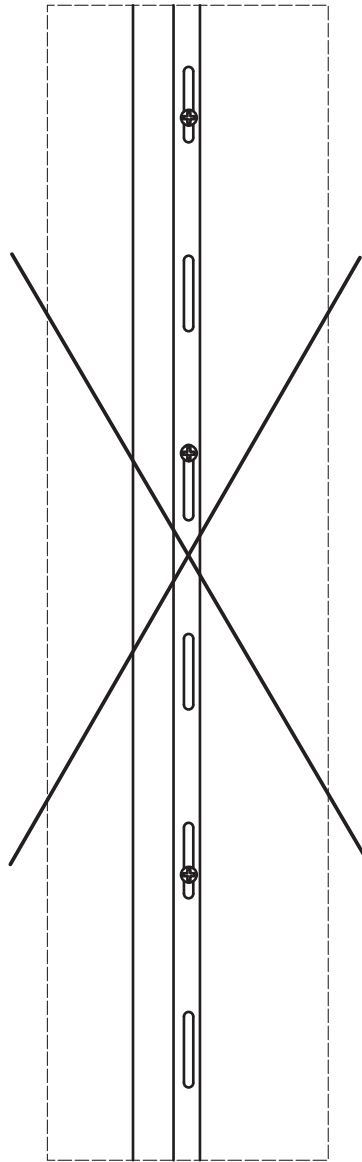
** To ensure the long-term quality of the product. Vinyl needs appropriate space and conditions to expand in an outdoor condition properly.

The screw standard for vinyl is as followed:

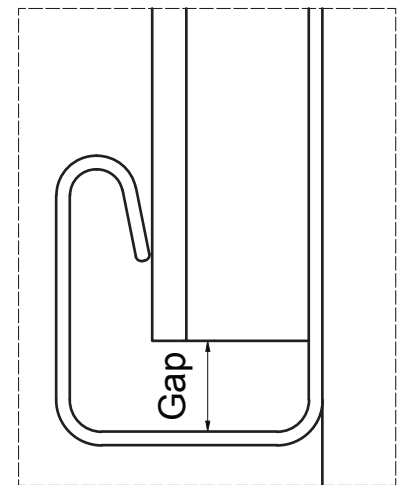
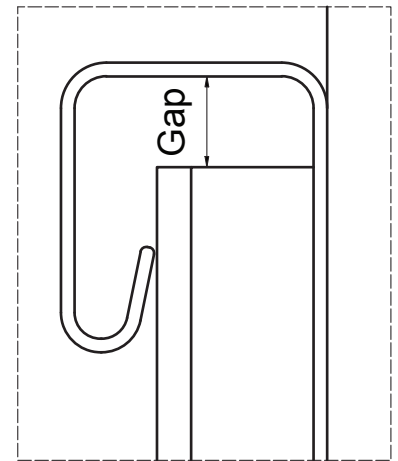
- Must be concentric with the vinyl hole.
- The screws must be evenly spaced out
- Must use the correct amount of screws as instructed (refer to the "Correct Screwing")
- The screws should not be too tight to avoid deforming the vinyl (refer to the "Proper tightening").
- Need gaps at both ends when shooting in the screws.



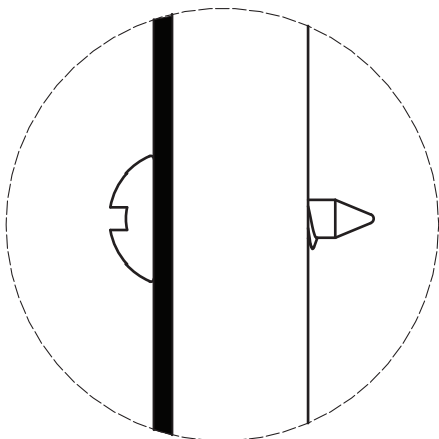
Correct screwing



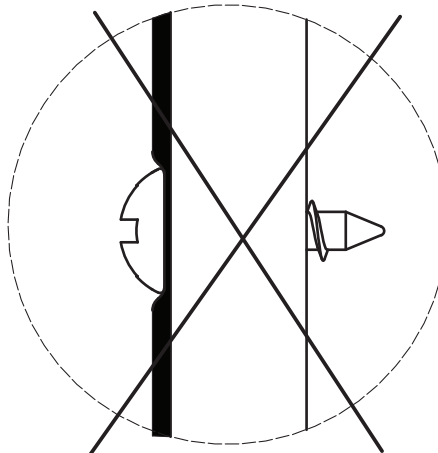
Incorrect screwing



Using 3/4" round head screw



Proper tightening

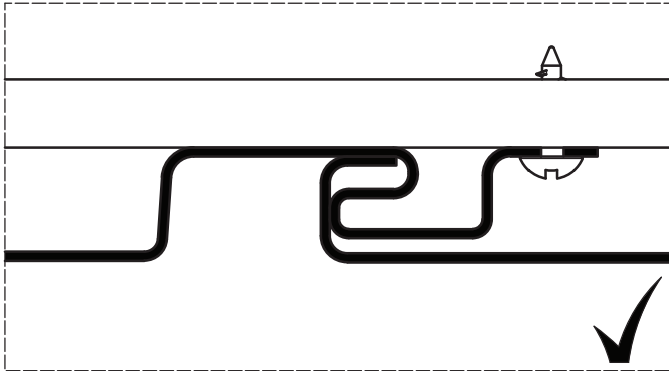


Improper tightening

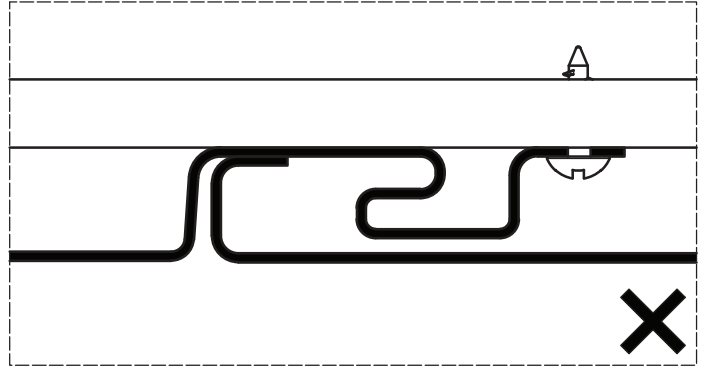
VINYL ASSEMBLING RULES

** To prevent vinyl siding from falling out of position when deformed by temperature, vinyl siding assembly must follow these rules:

1. Vinyl siding mounts must be **securely, firmly** interlocked together.

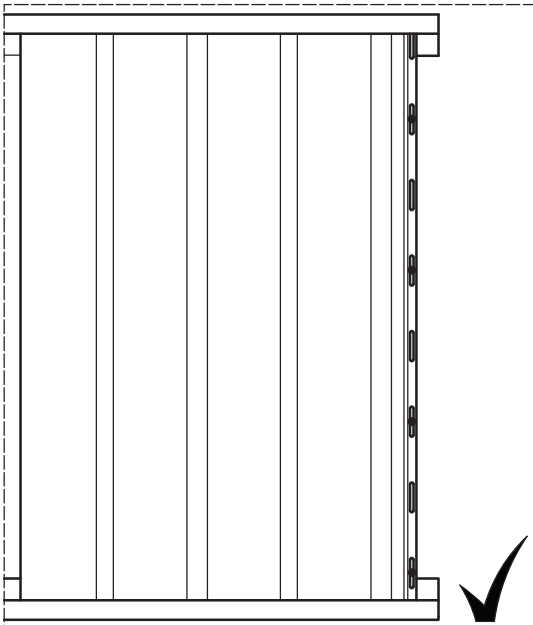


Correct interlocking

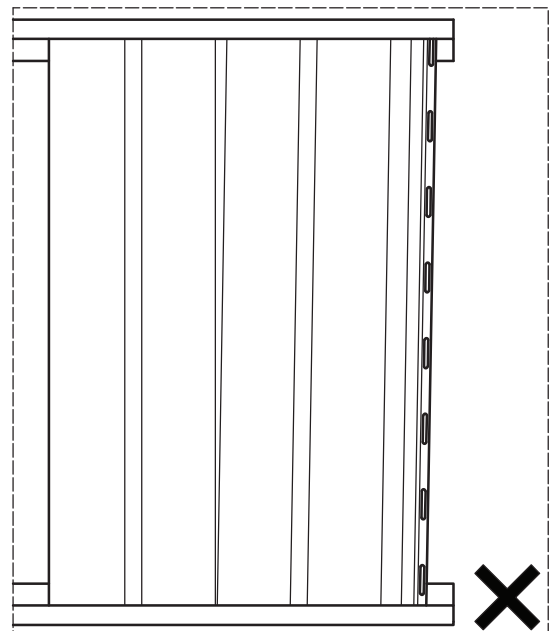
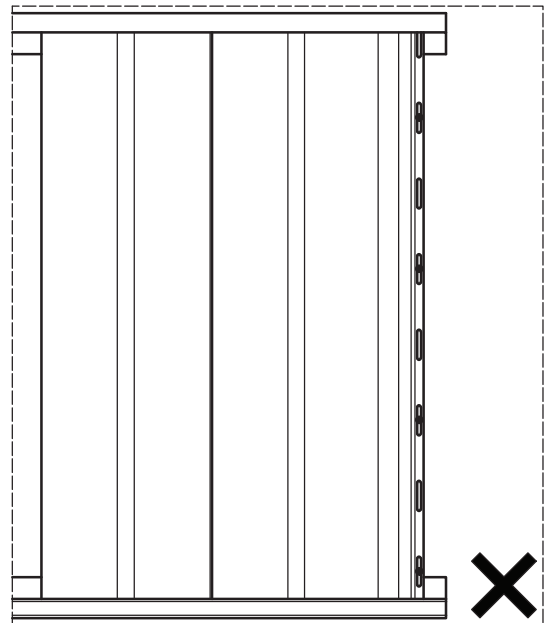


Incorrect interlocking

2. Vinyl siding mounts must be **evenly, straight** interlocked throughout their length.



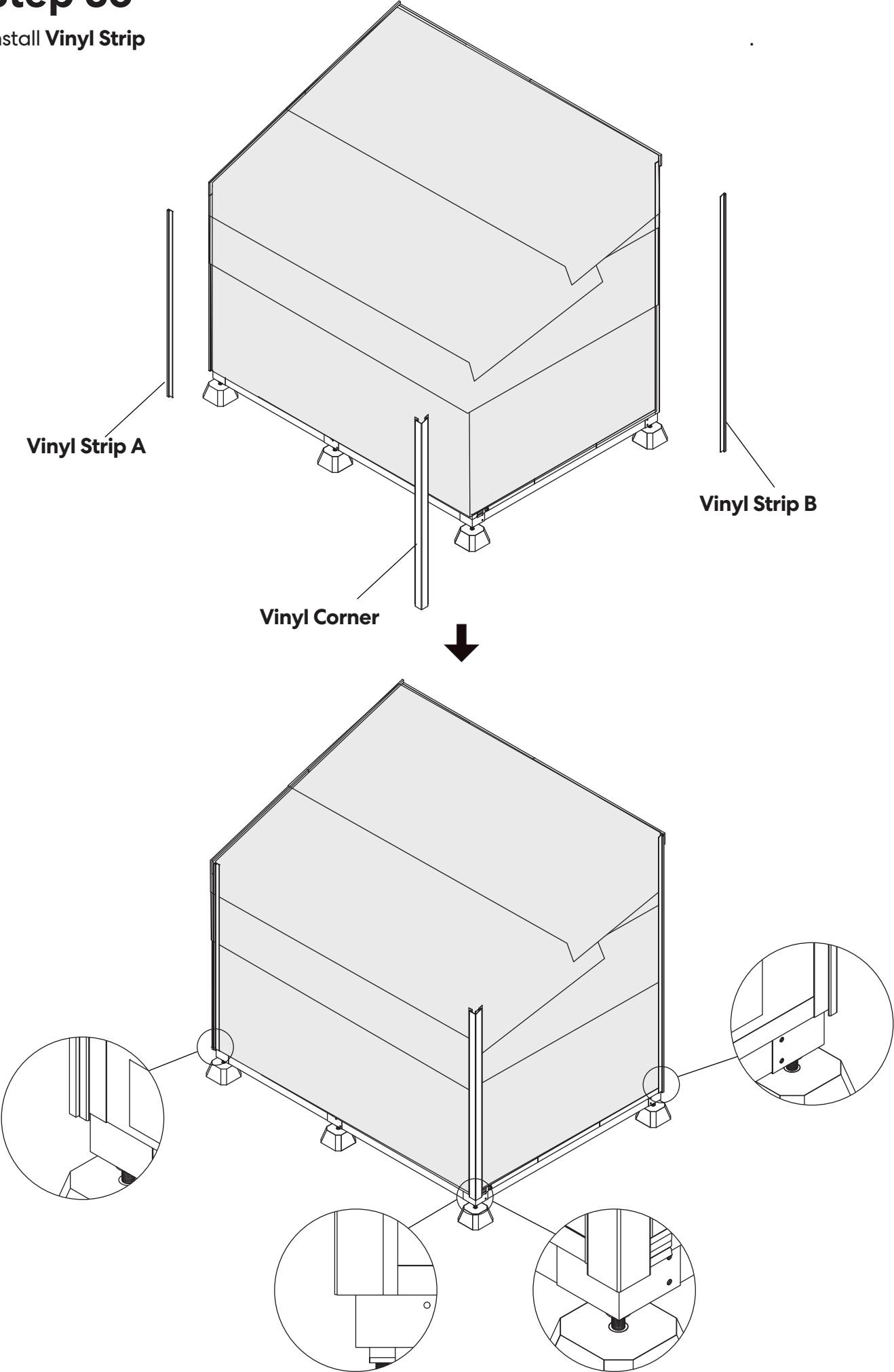
Correct interlocking



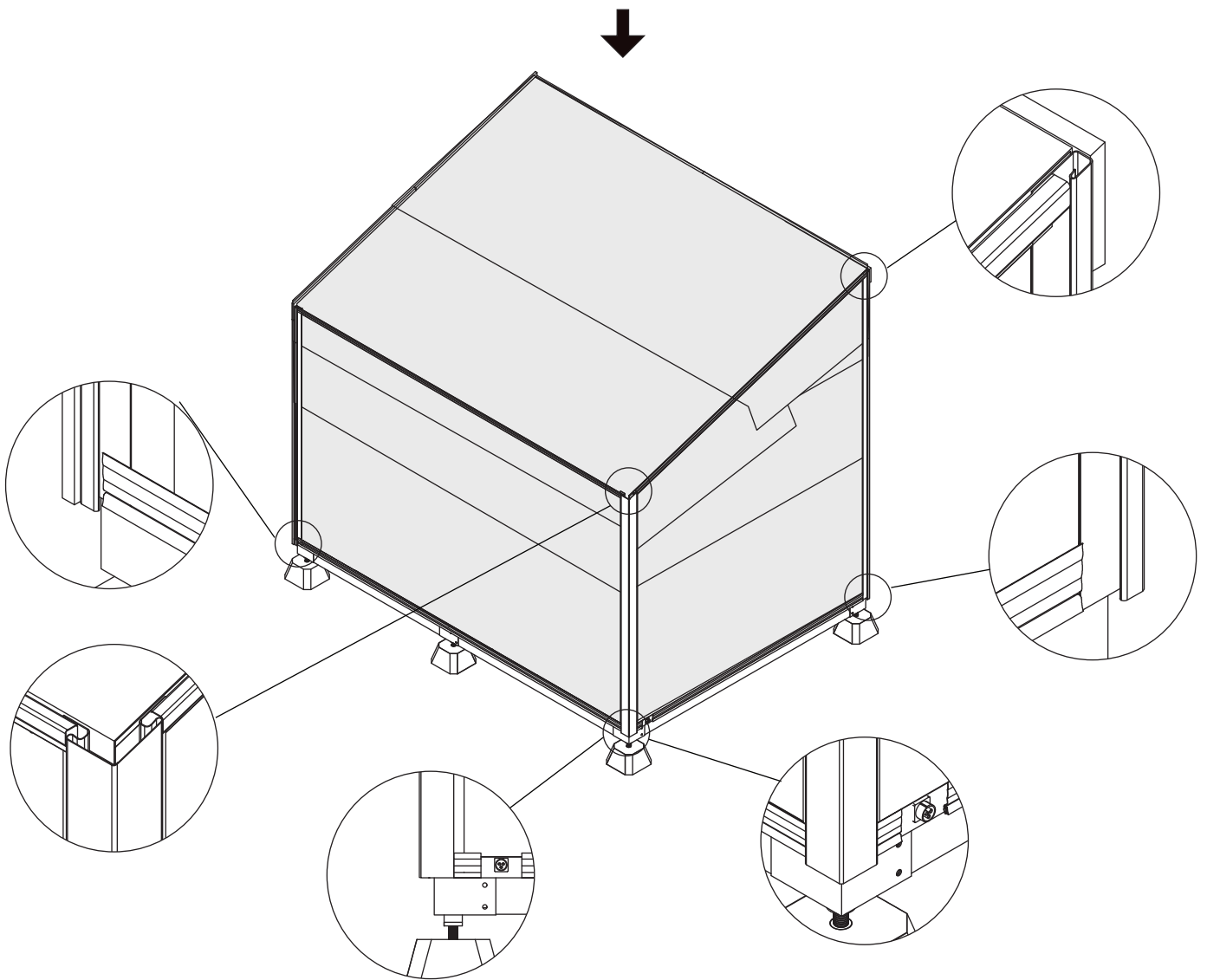
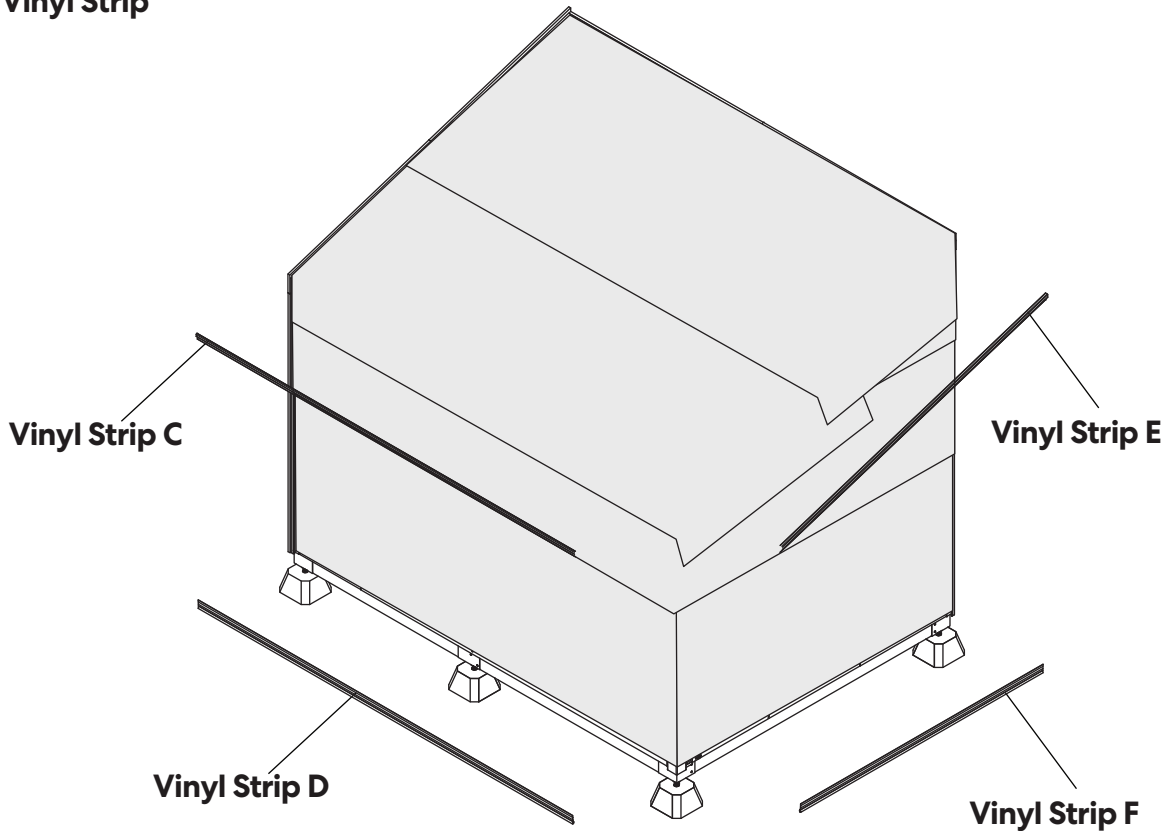
Incorrect interlocking

Step 36

Install Vinyl Strip

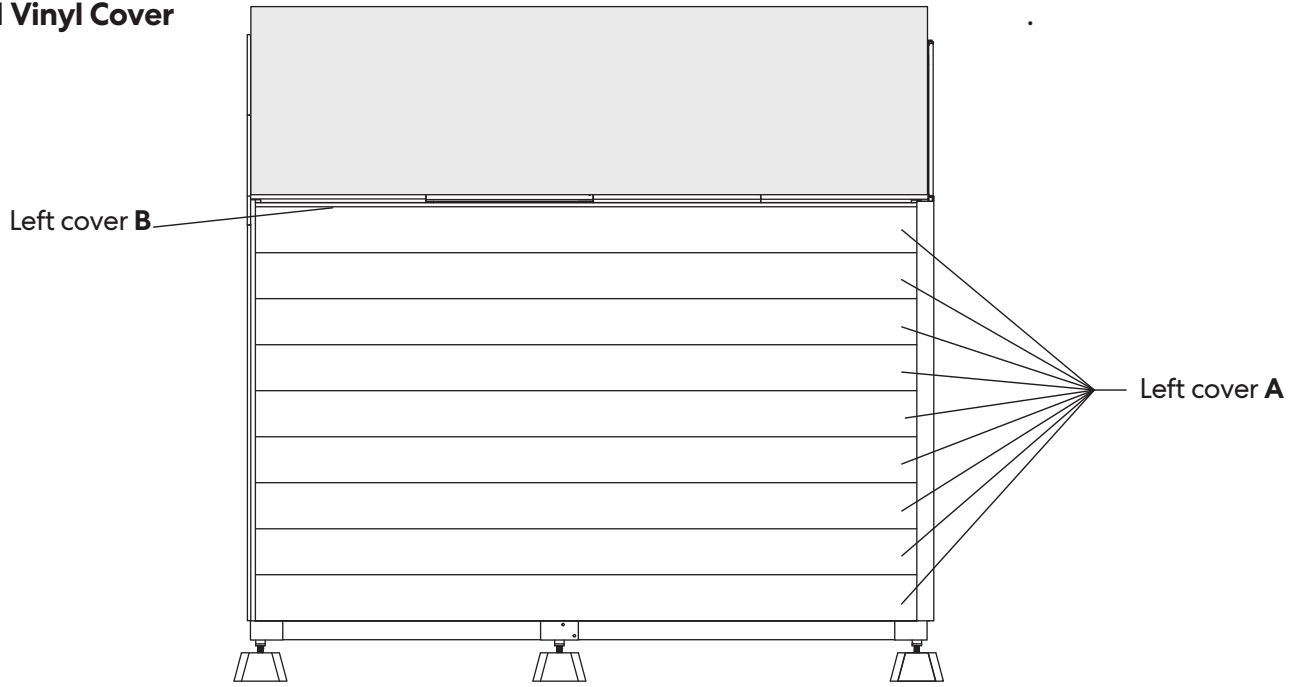


Install Vinyl Strip

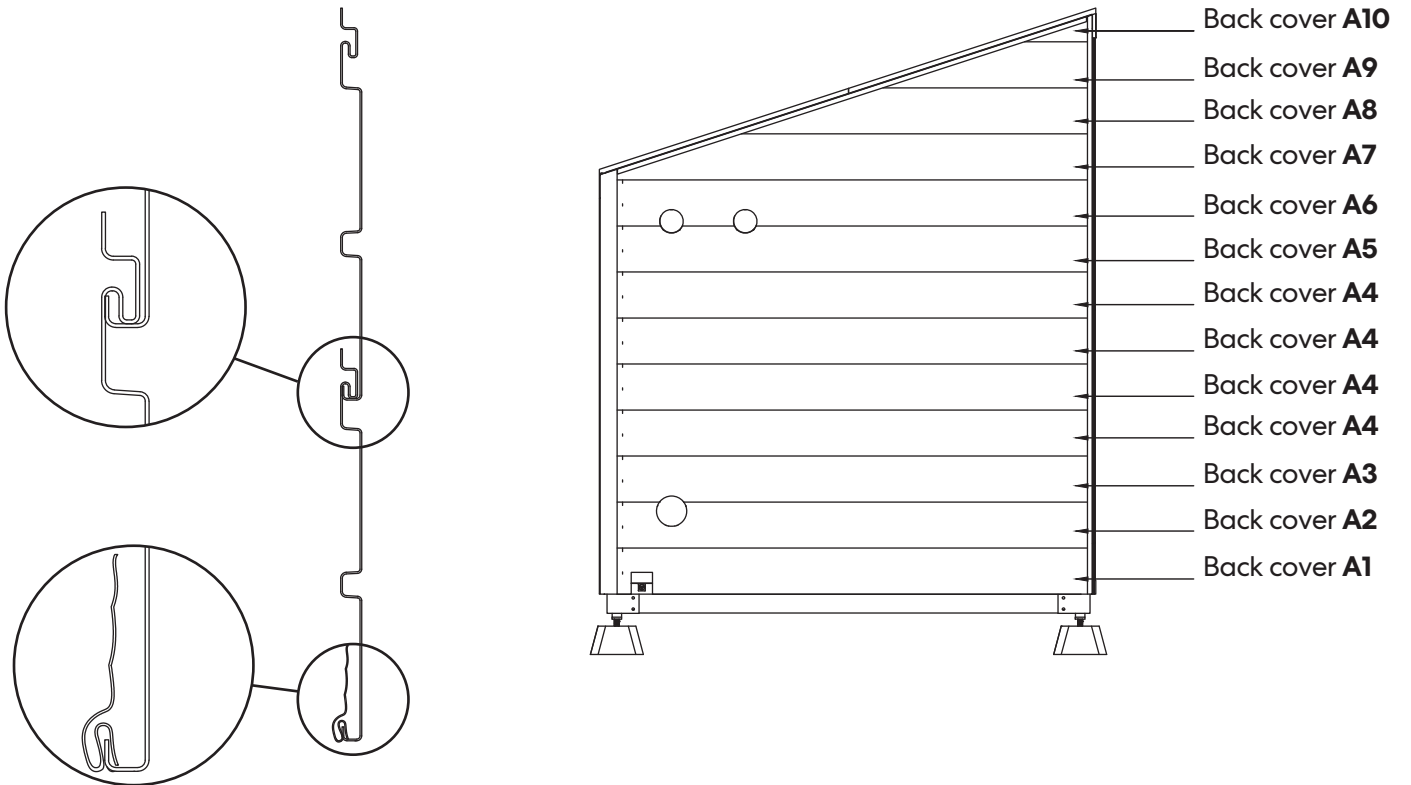


Step 37

Install Vinyl Cover



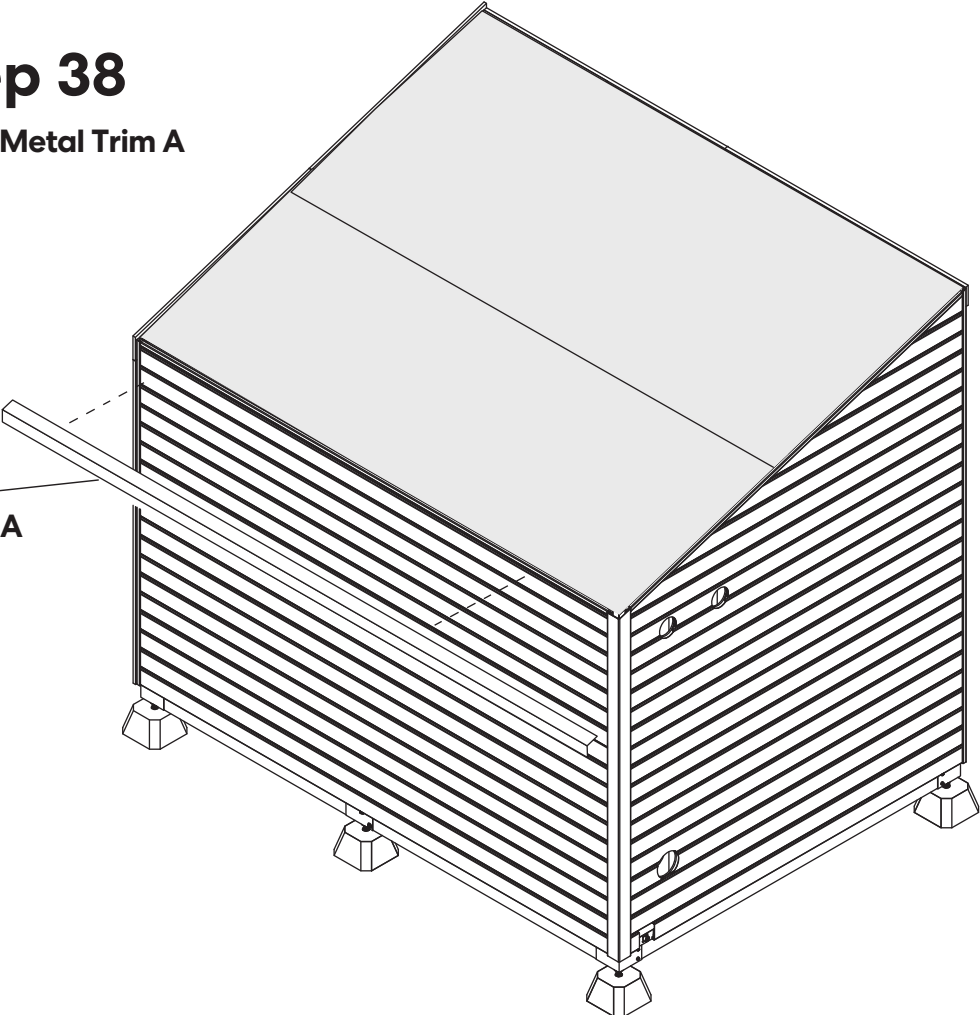
Install Vinyl Sliding in an overlapping method as shown in the illustration.



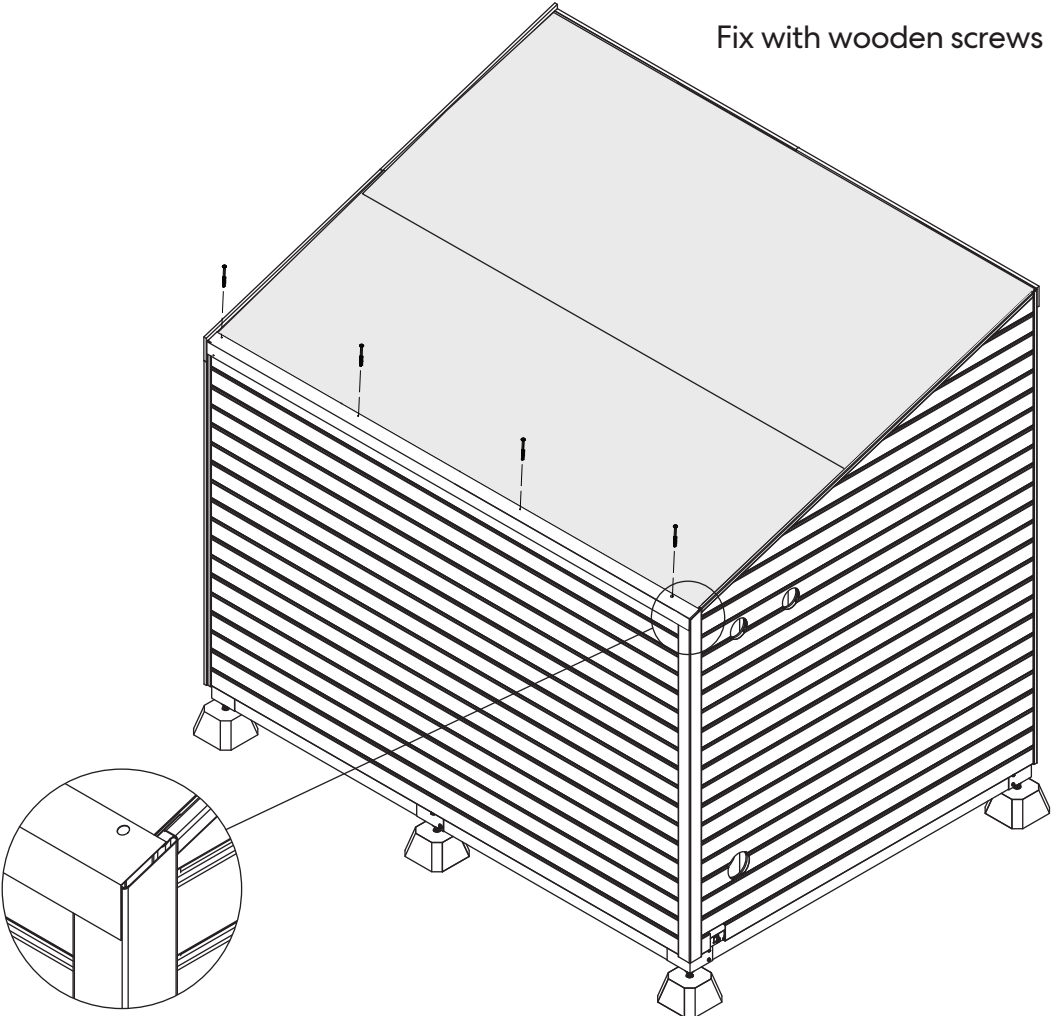
Step 38

Install Metal Trim A

Metal Trim A

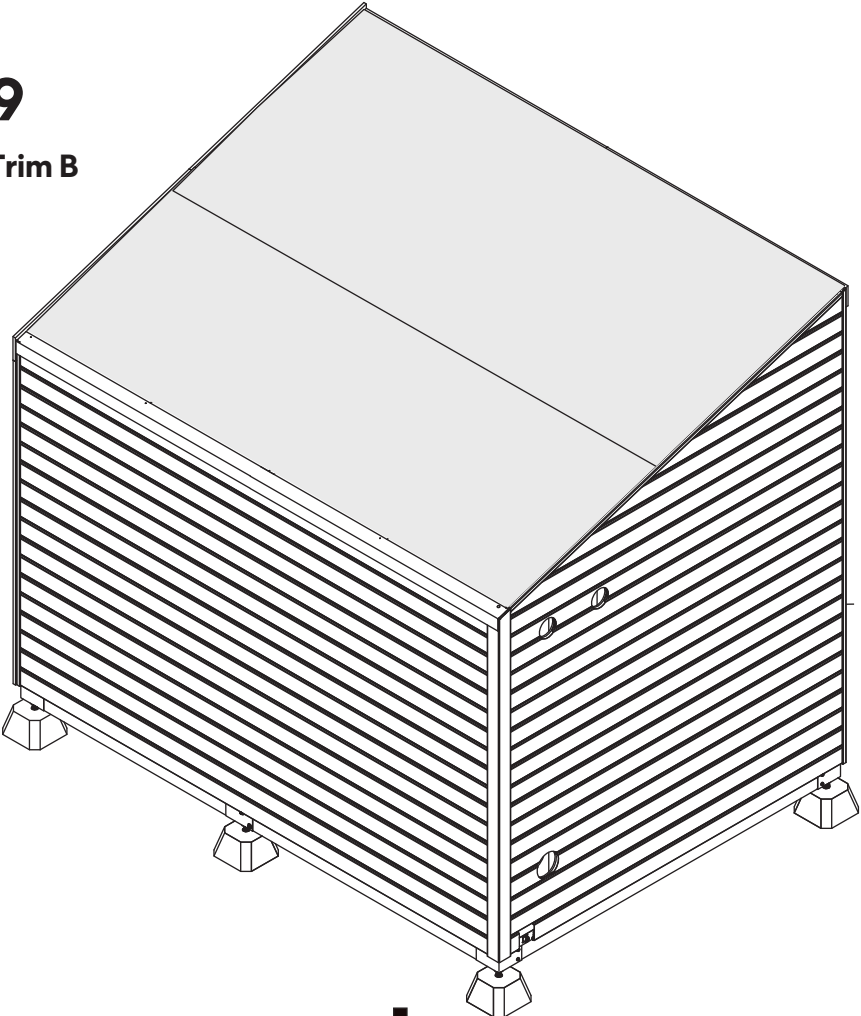


Fix with wooden screws at 1/4" pilot hole

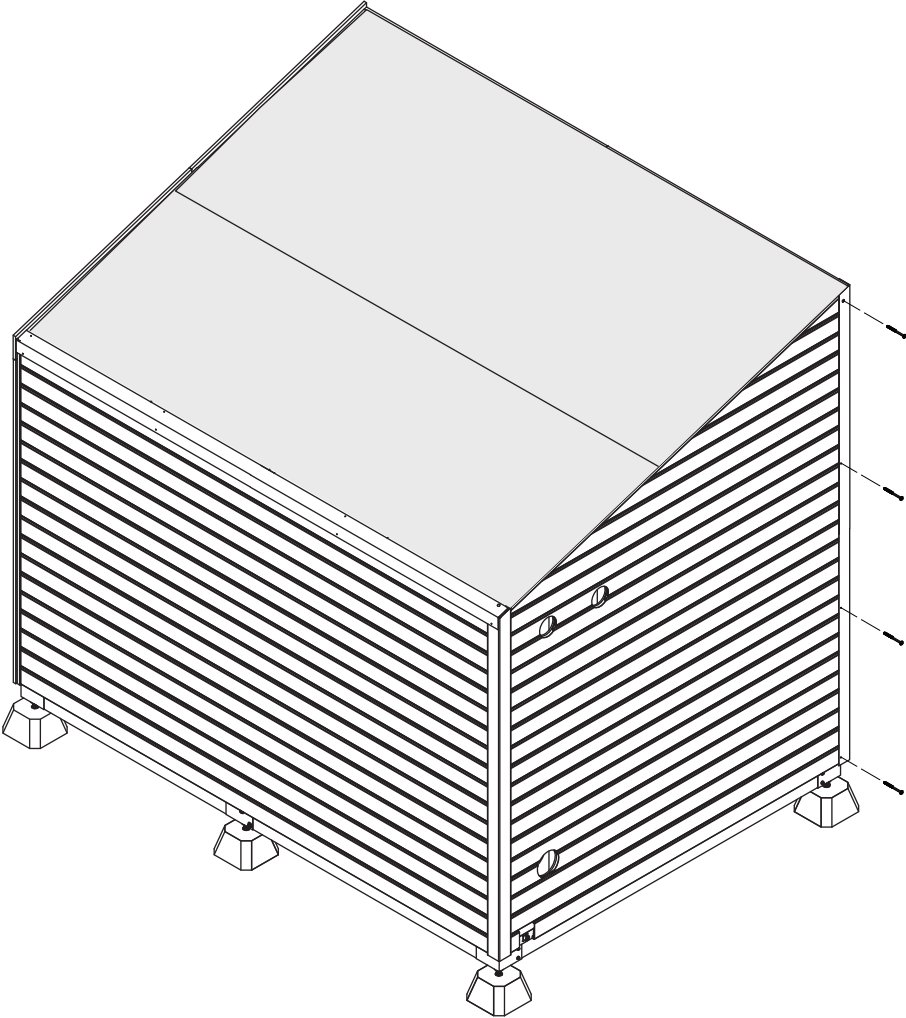


Step 39

Install **Metal Trim B**

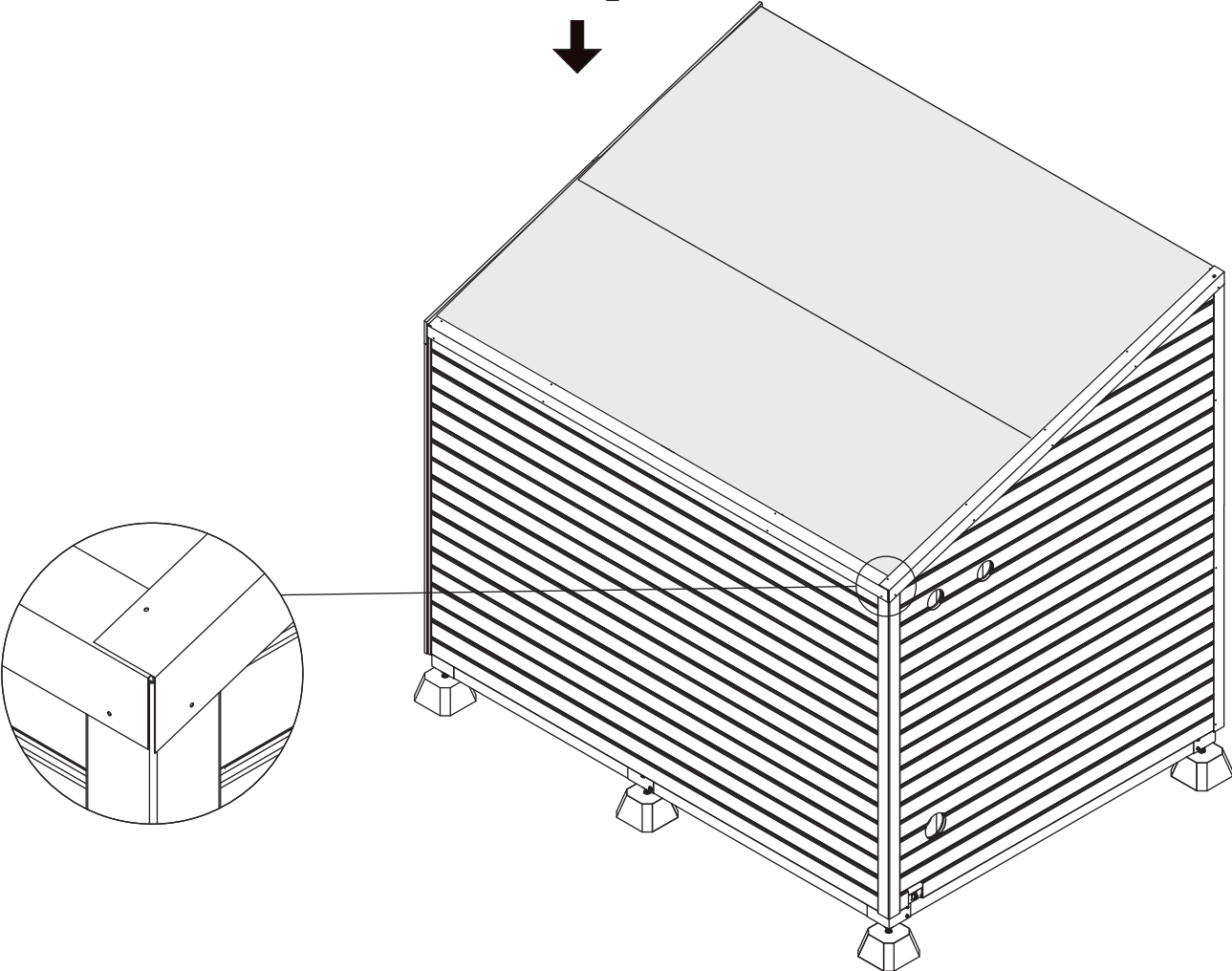
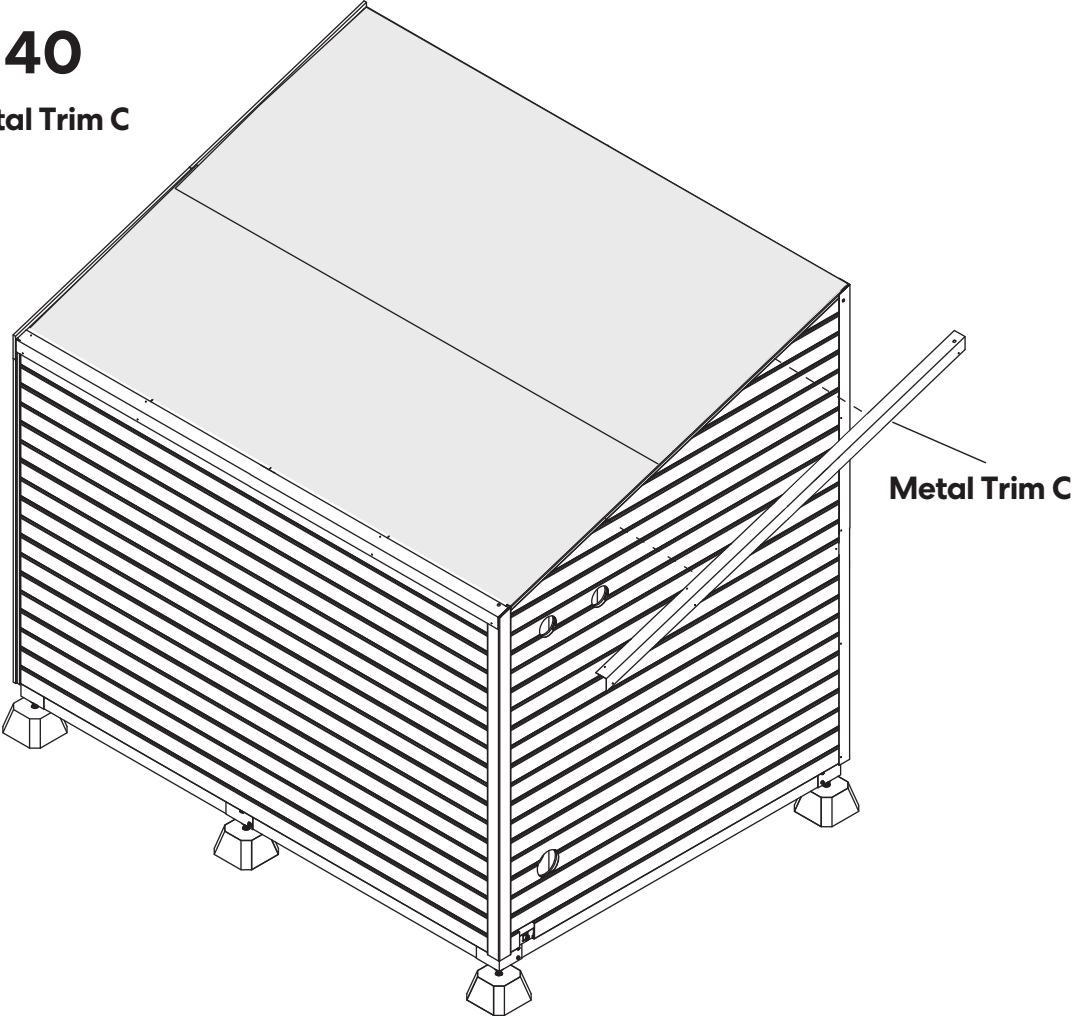


Metal Trim B



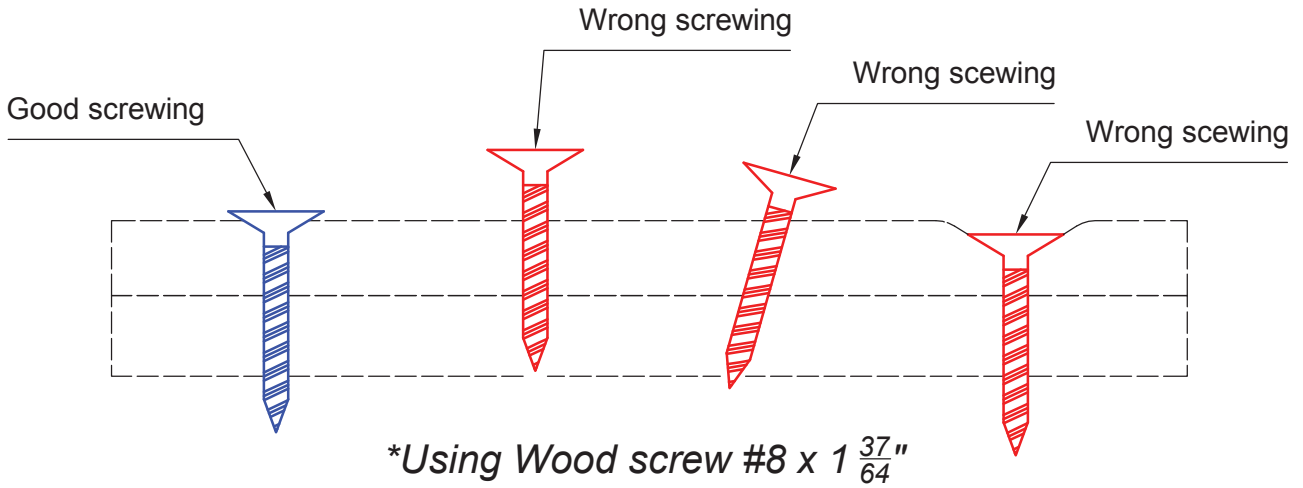
Step 40

Install Metal Trim C

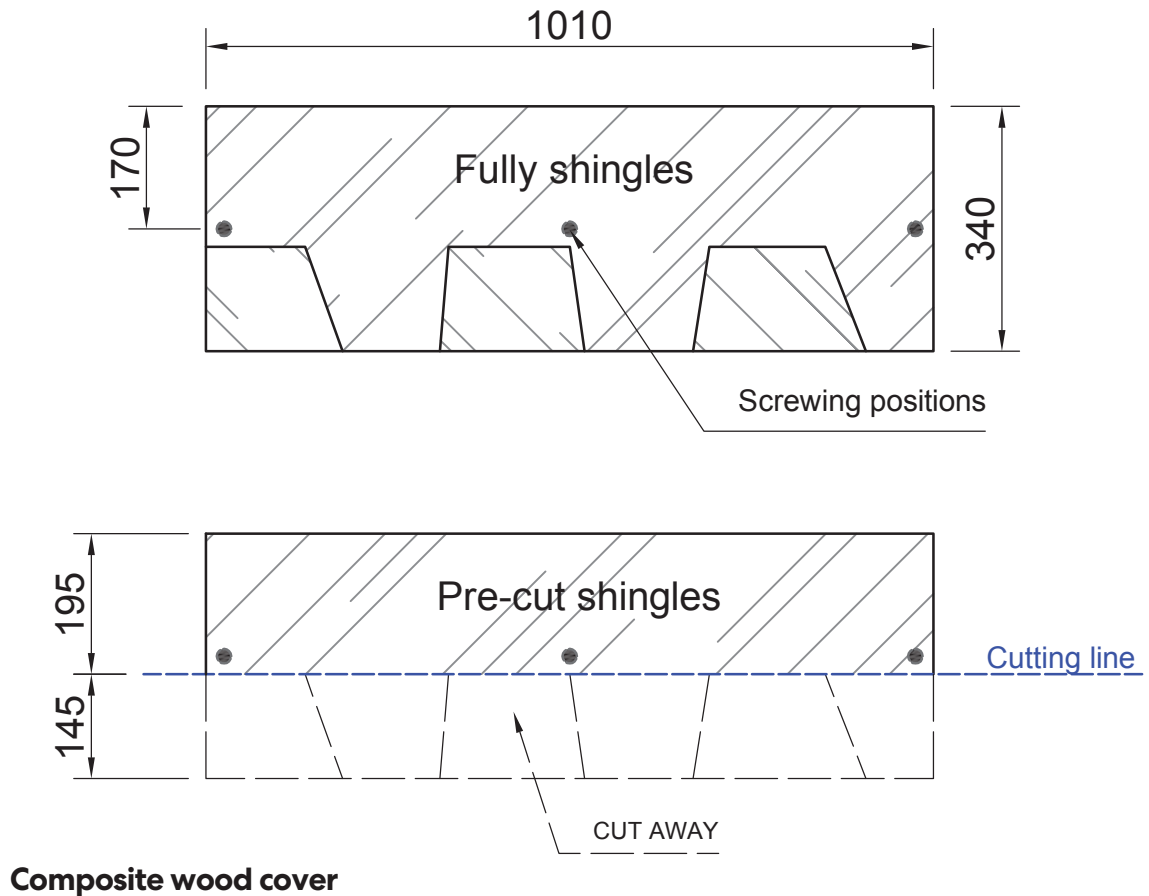


ROOF SHINGLES RULES AND INSTRUCTIONS

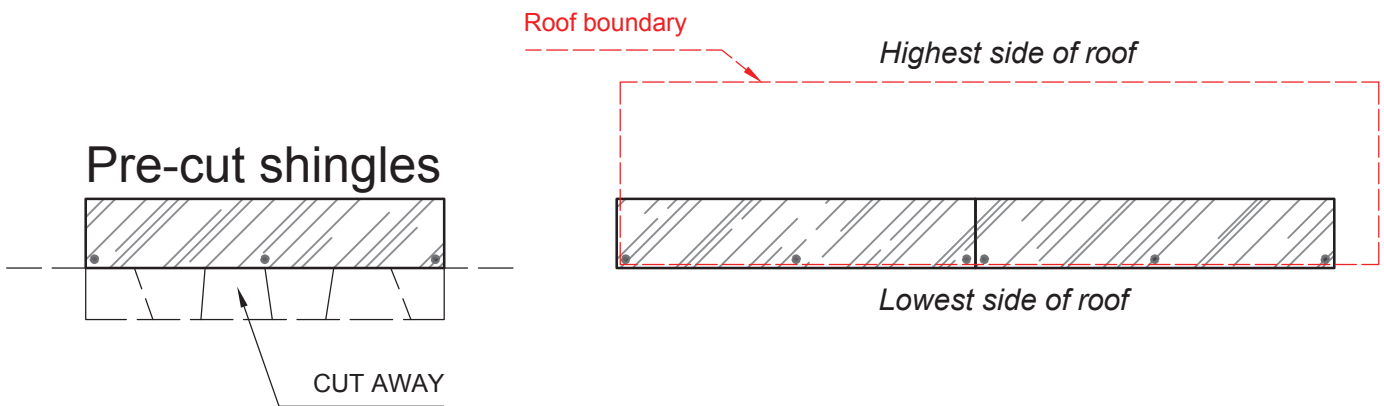
I. Screwing must be just enough, not too weak, nor too strong to deform the surface, the screws must be perpendicular to the surface.



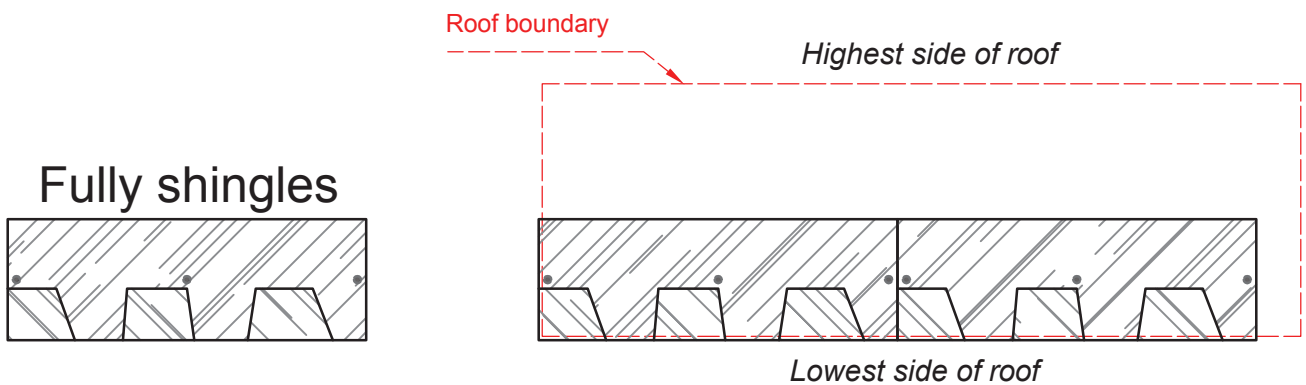
II. Specifications of Fully shingles and Pre-cut shingles need to be prepared



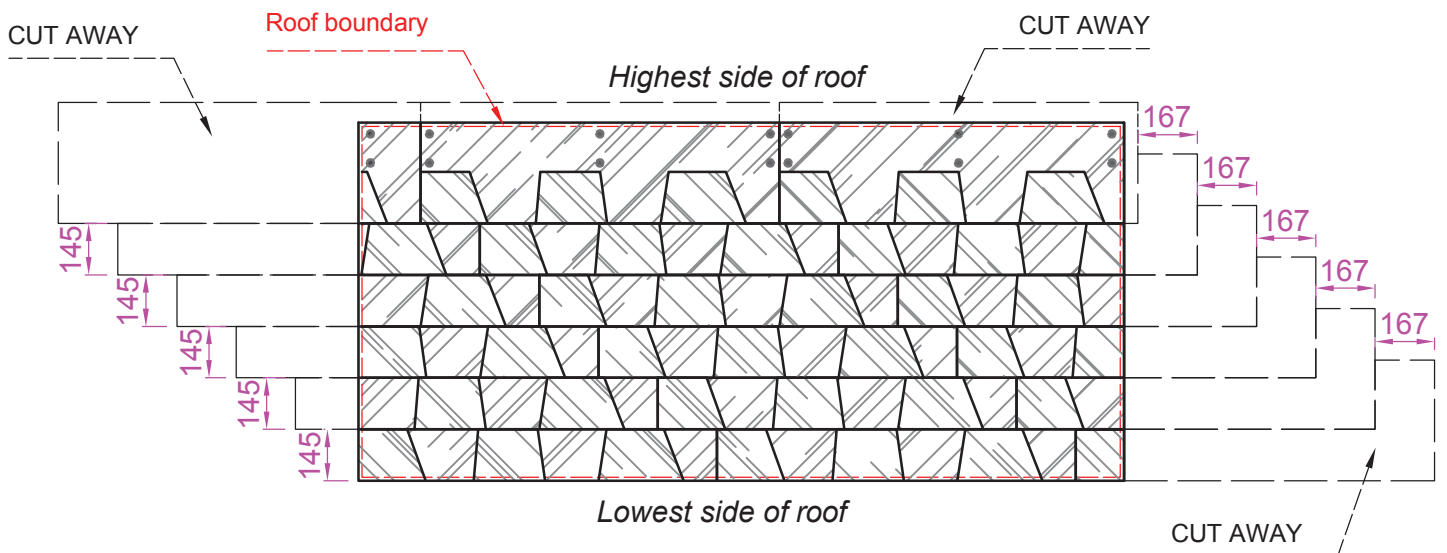
1. Use Pre-cut shingles to create a base layer on the lowest side of the roof.



2. Use Fully shingles to completely cover the base layer on the lowest side of roof.



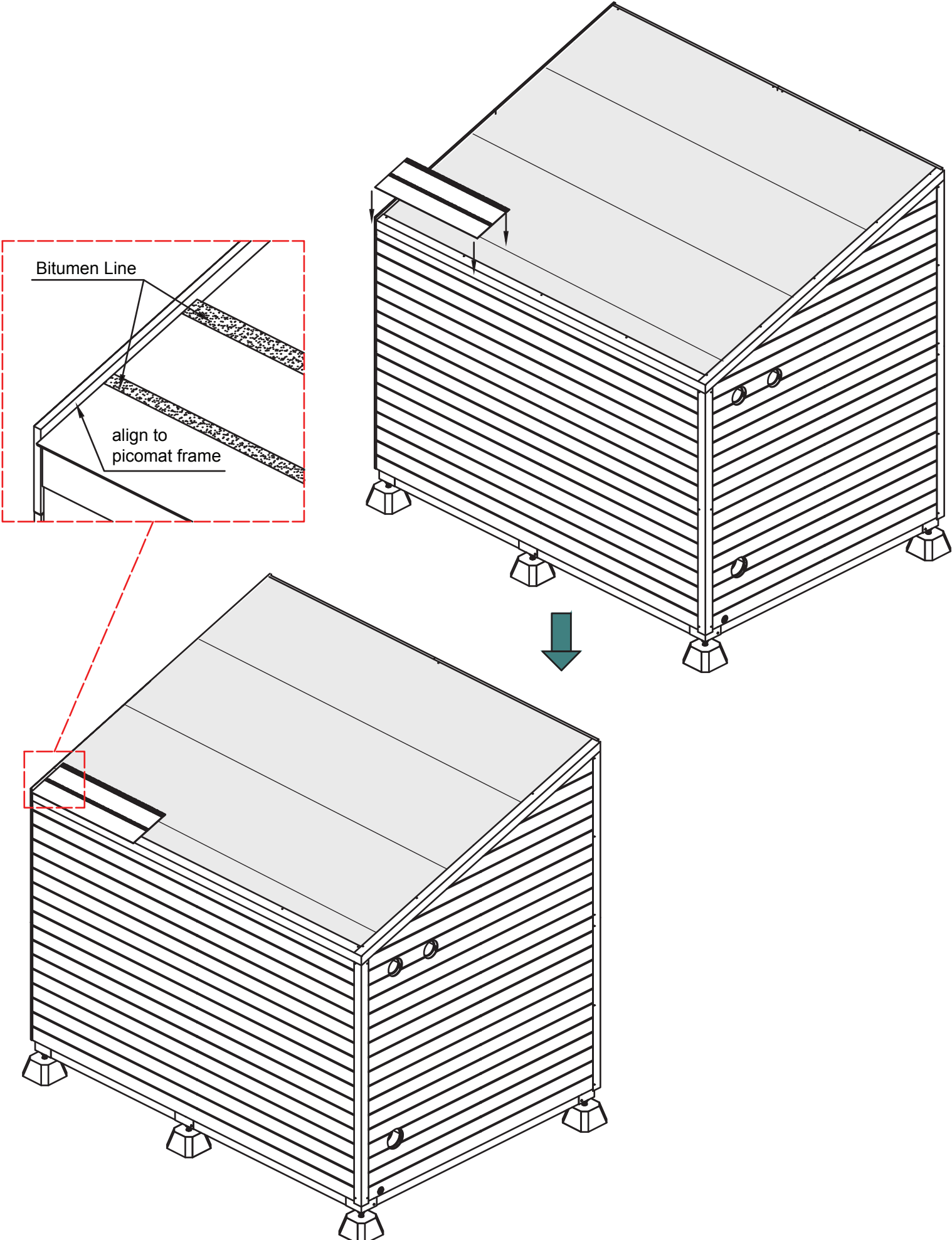
3. Proceed with roofing according to the following method.



Step 41

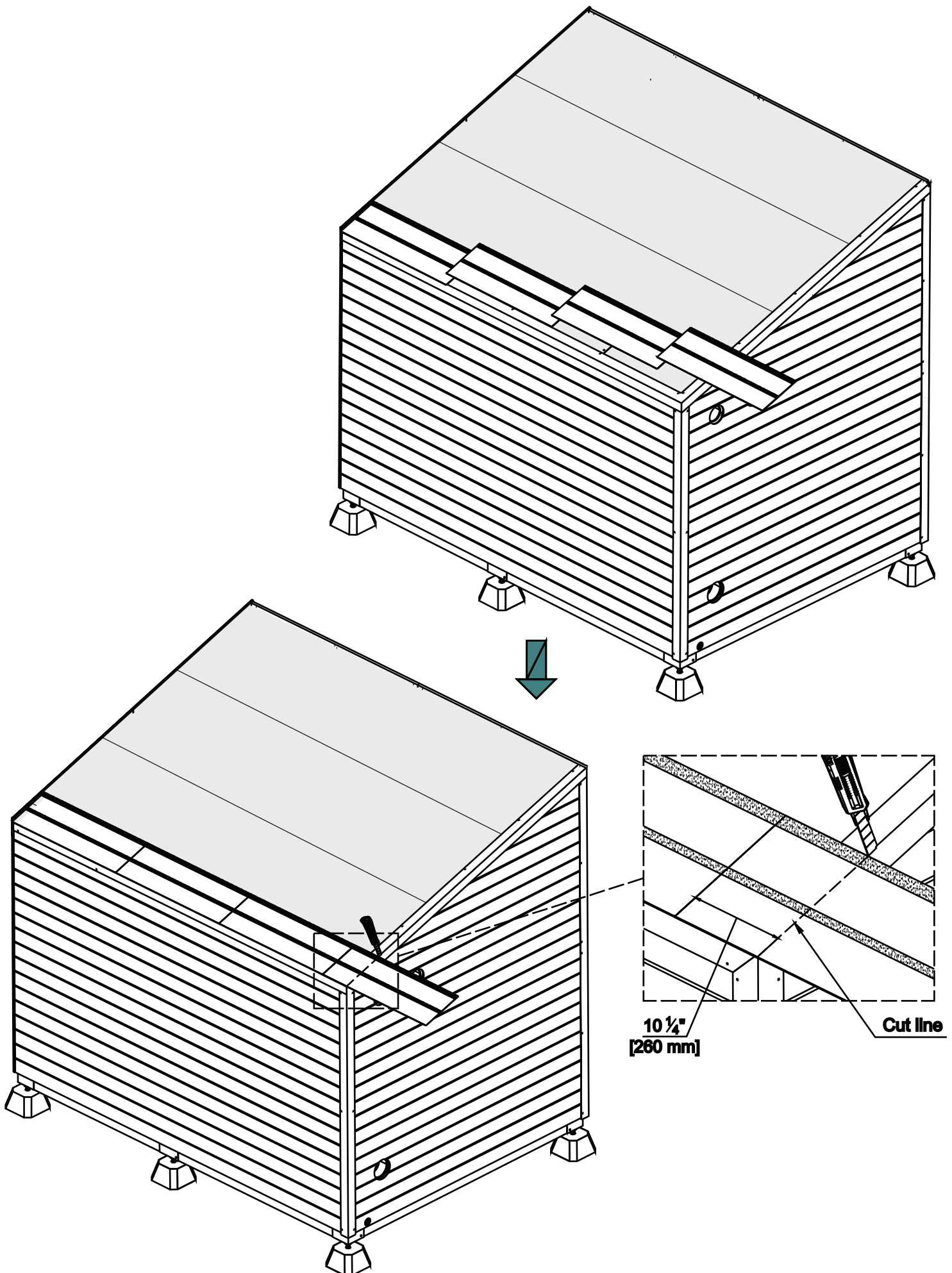
Install Shingle roof

Place the bitumen shingle roof in position in the figure below.



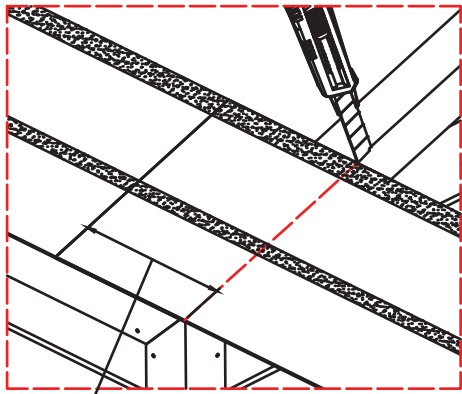
Install **Shingle roof**

Place the bitumen shingle roof in position in the figure below.

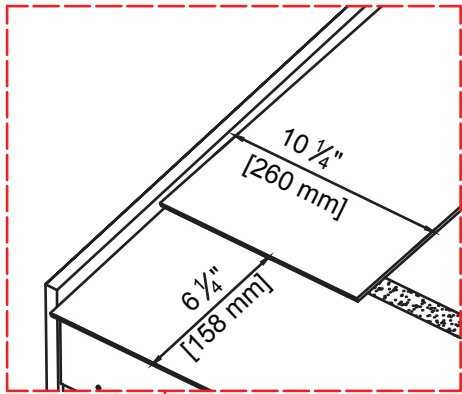


Install **Shingle** roof

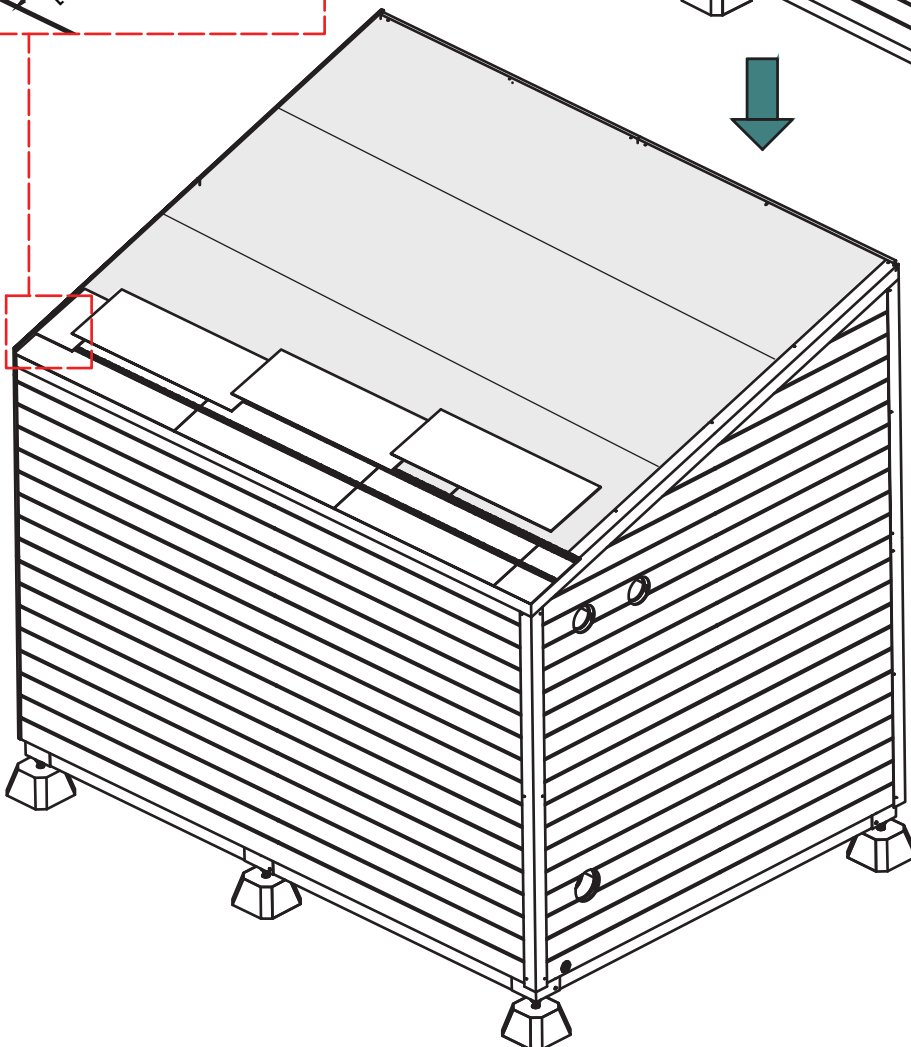
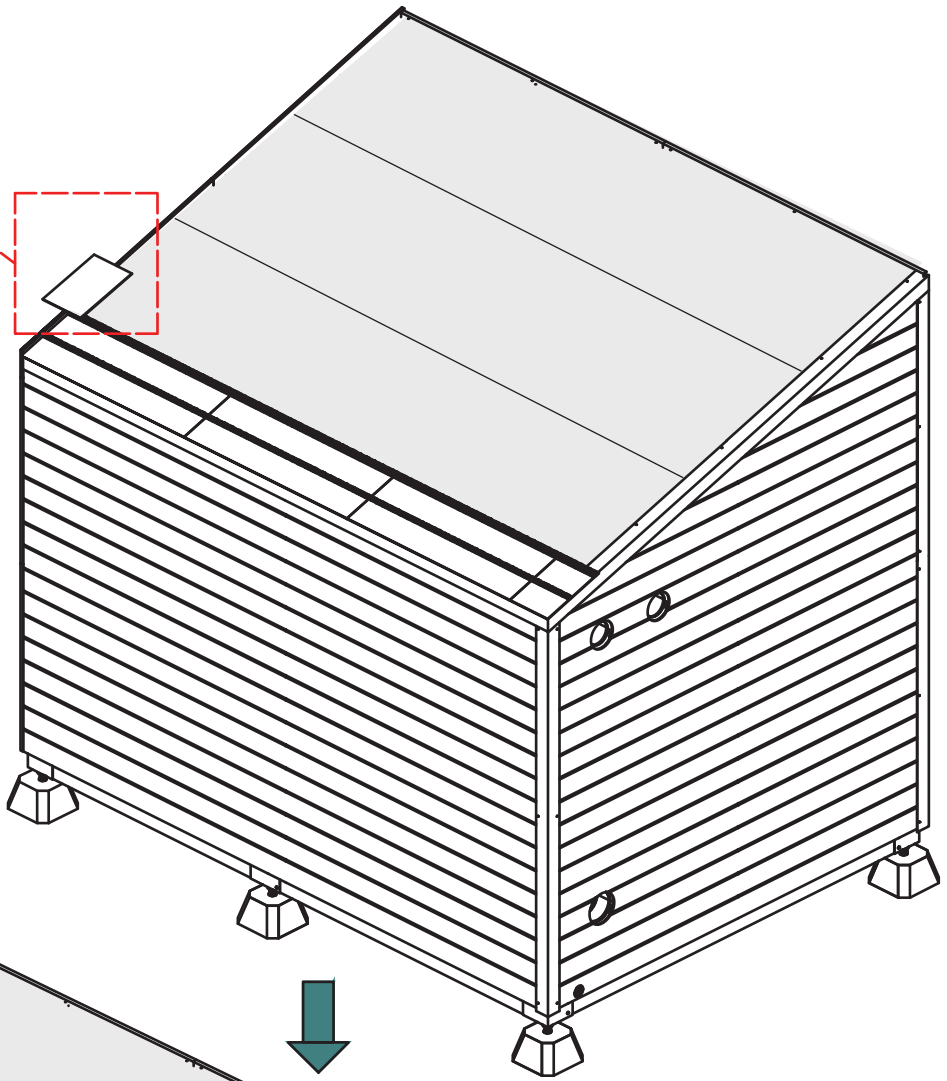
Place the bitumen shingle roof in position in the figure below.



$10 \frac{1}{4}"$
[260 mm]



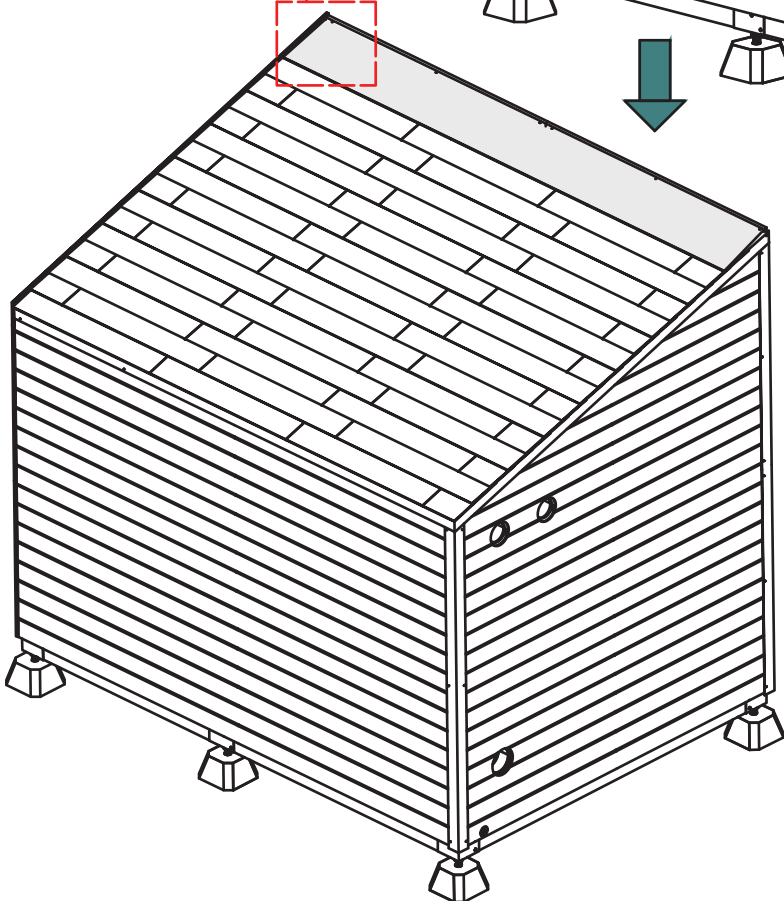
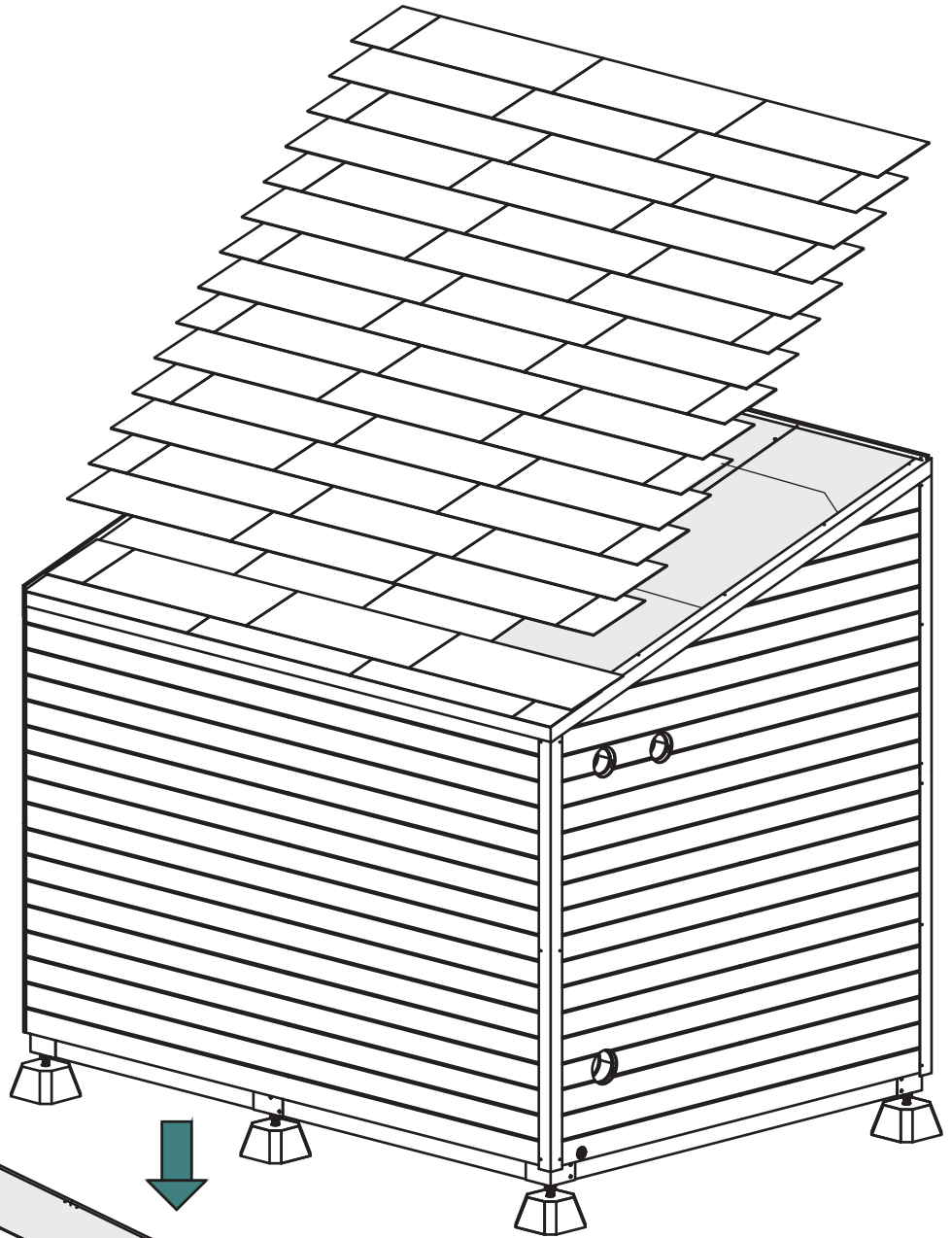
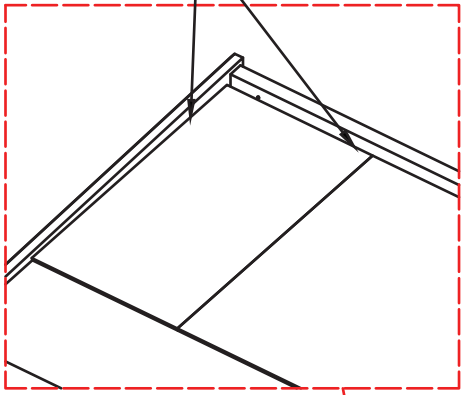
$10 \frac{1}{4}"$
[260 mm]
 $6 \frac{1}{4}"$
[158 mm]



Install **Shingle roof**

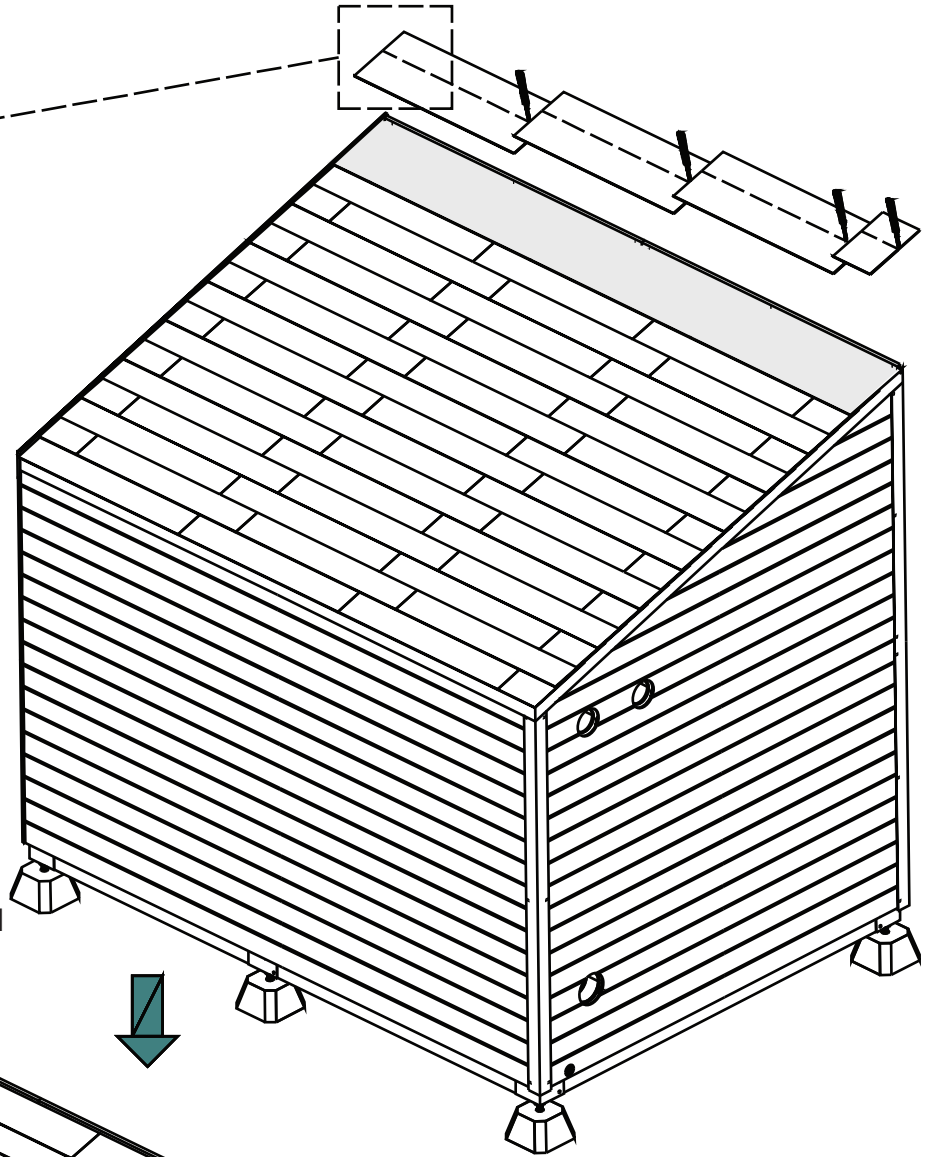
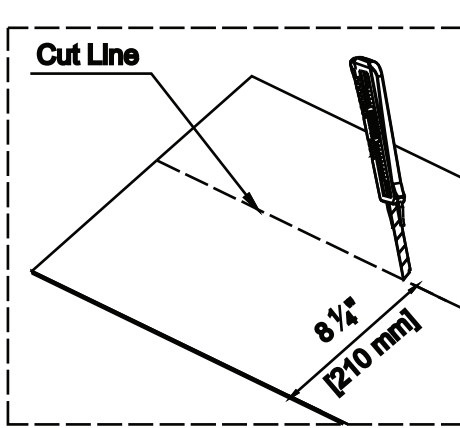
Place the bitumen shingle roof in position in the figure below.

align to
picomat frame

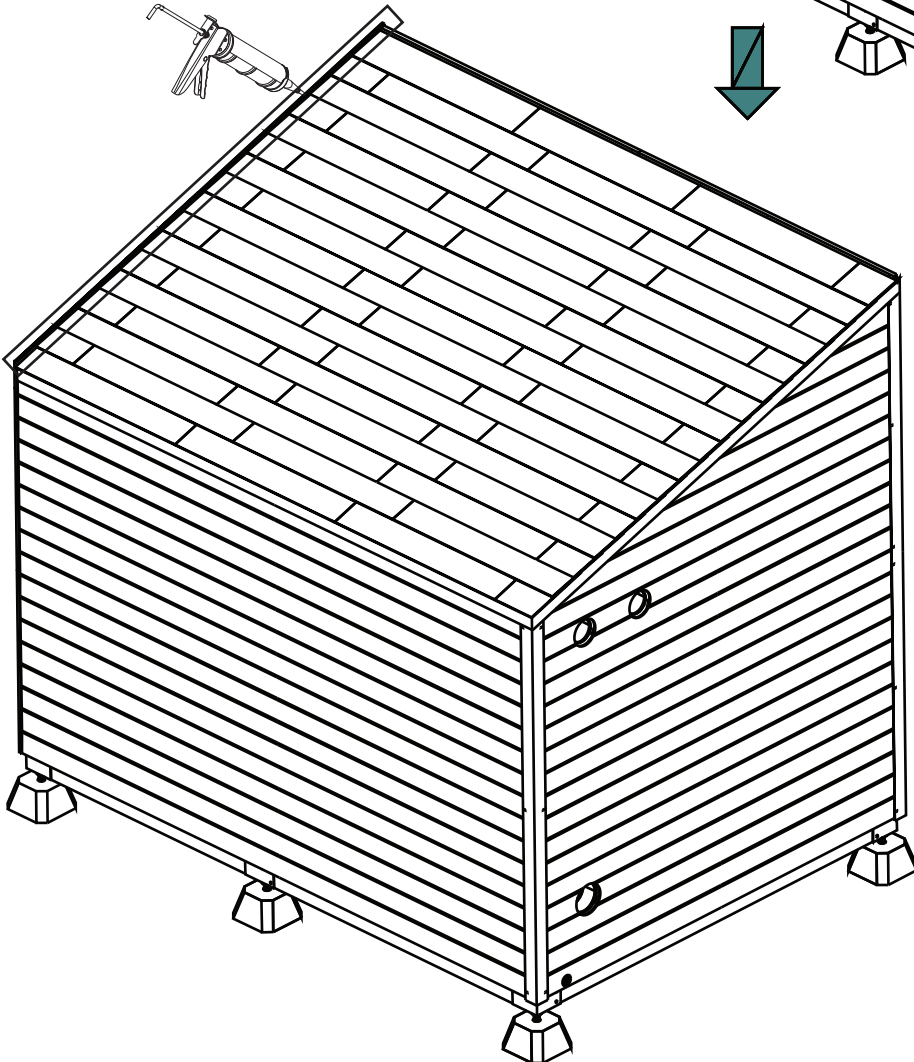
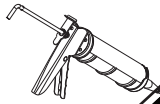


Install **Shingle roof**

Place the bitumen shingle roof in position in the figure below.

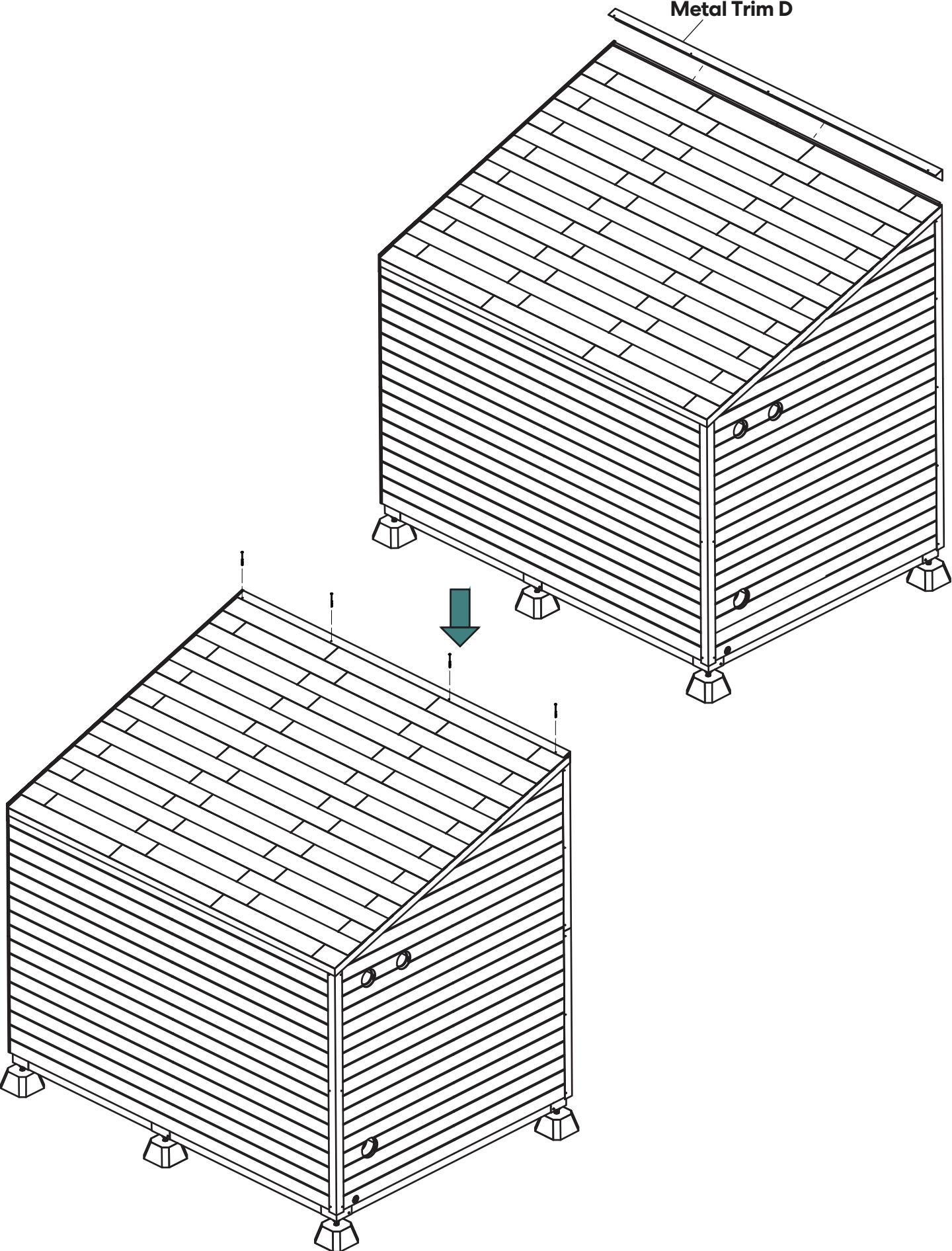


Apply silicone sealant on this area
between roof shingle and composite wood



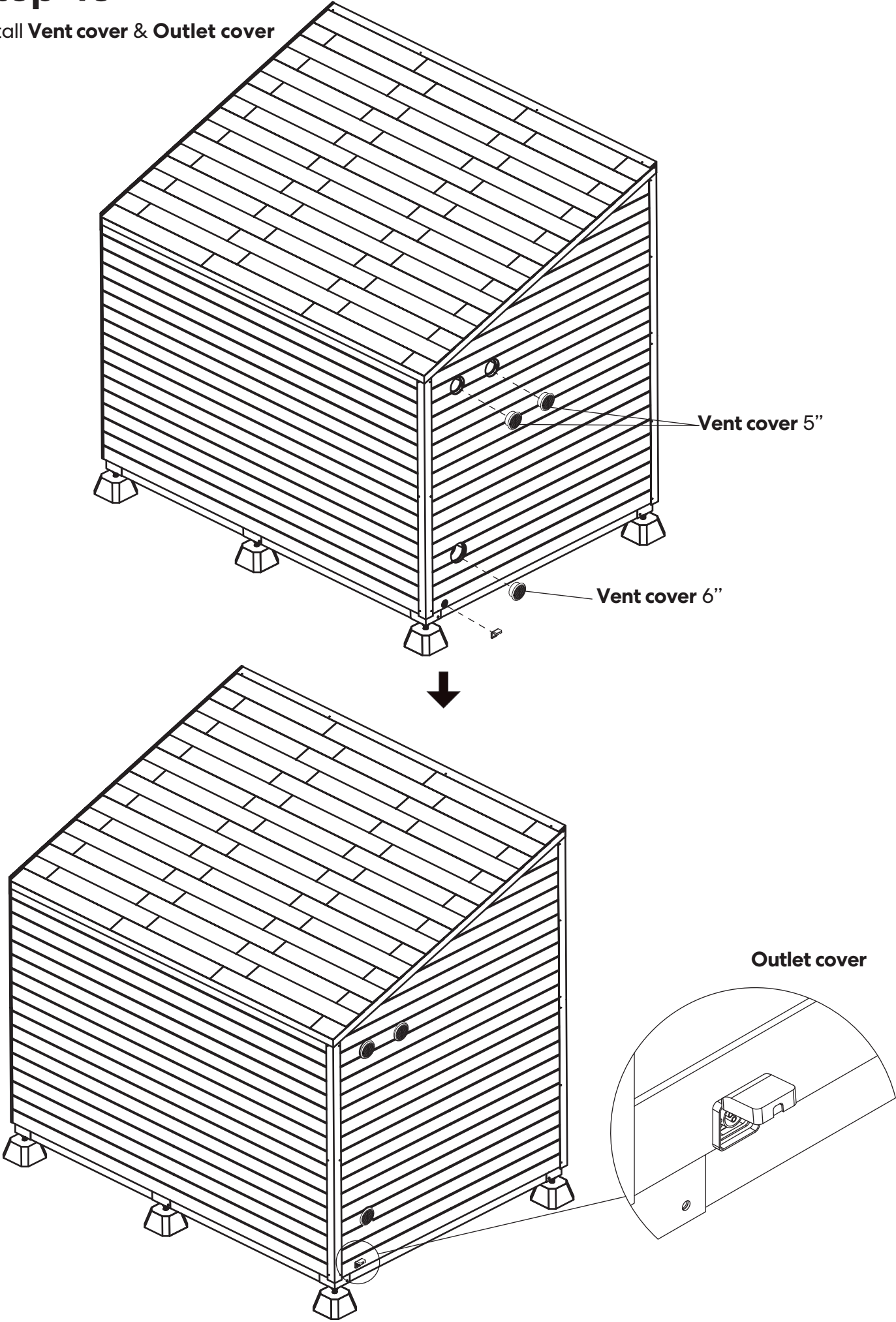
Step 42

Install Metal Trim D



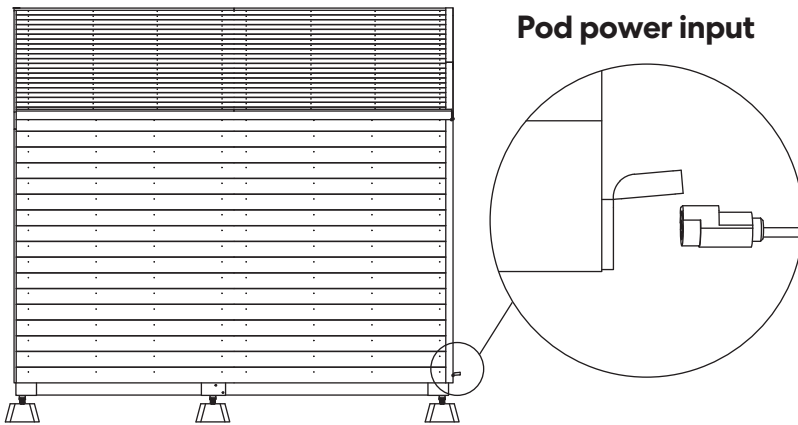
Step 43

Install Vent cover & Outlet cover



Step 44

Check electrical connections.

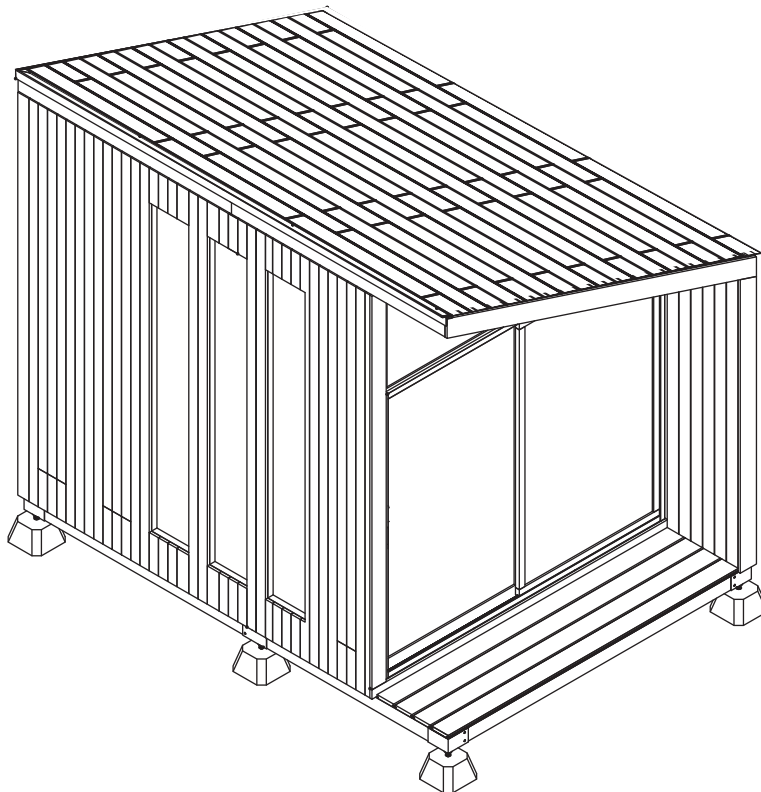


1. Turn off **RCB** in **Electrical cabinet**
2. Connect Pod to your power supply
3. Turn on **RCB** in **Electrical cabinet**
4. Check that all electrical outlets and switches are working properly



Note before use

1. Keeping the input power fixed keeps the power supply stable and the plugs not loose
2. Make sure to turn on the exhaust fan if you want to work inside with the door completely closed



We had a lot of fun building Pod, and we hope you'll love yours.

Reach out to us anytime at human@autonomous.nyc if you have any questions, ideas, or just want to chat.