

Autonomous



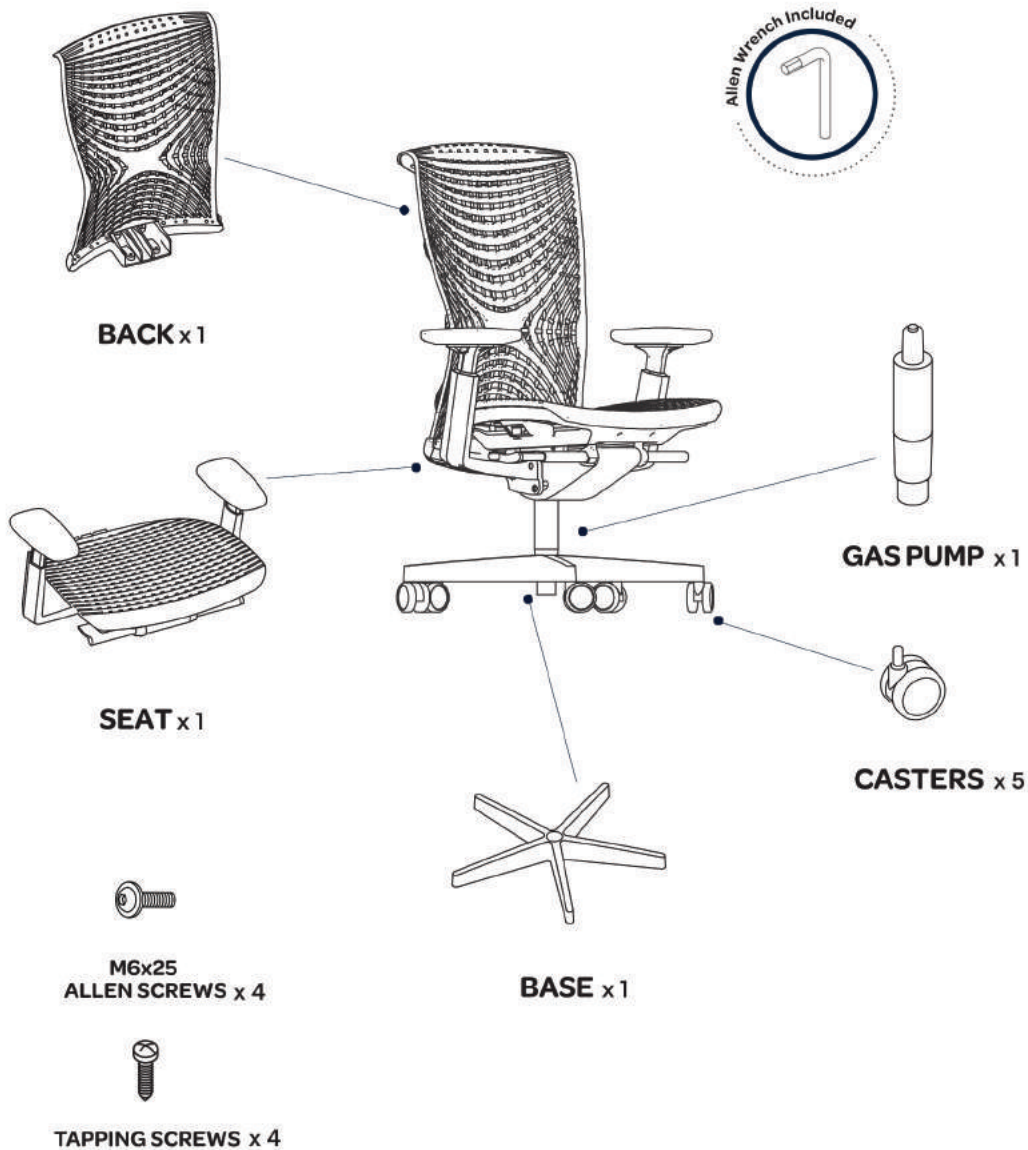
ASSEMBLY INSTRUCTIONS

Discover your true range of motion.

Autonomous Chair Ultra

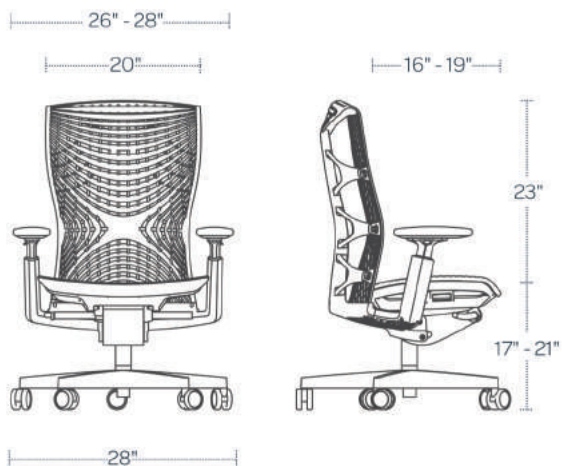
www.autonomous.ai

Included in the Box



Read all instructions before assembling. Failure to assemble properly may result in damage.

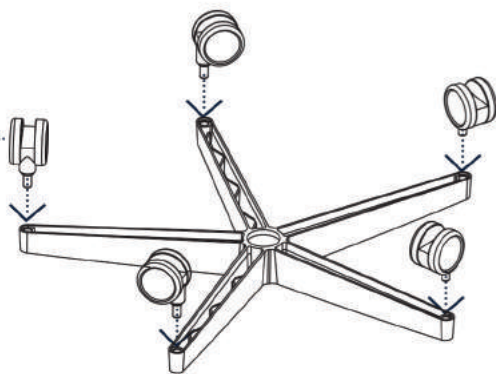
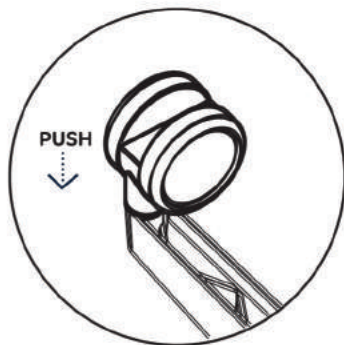
OVERALL SIZE



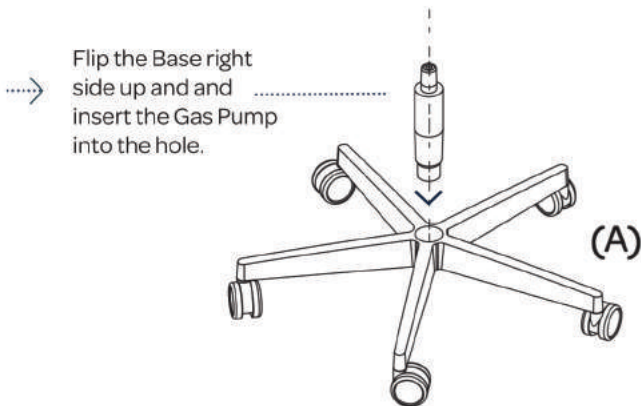
ASSEMBLY

1 STEP ONE

Flip Base upside down and insert 5 Casters into their corresponding holes.



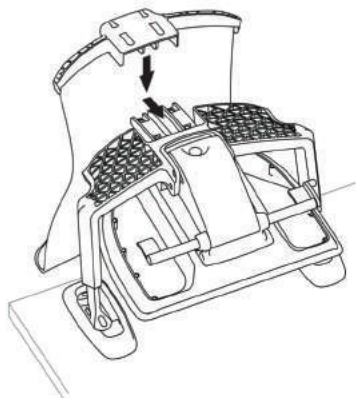
Flip the Base right side up and insert the Gas Pump into the hole.



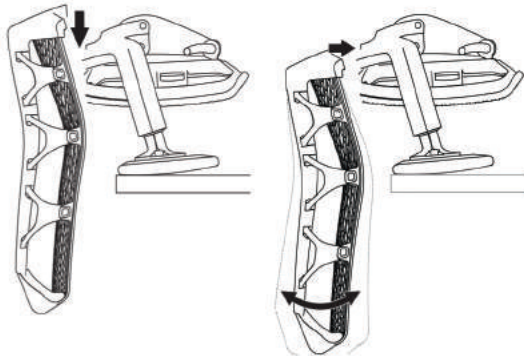
ASSEMBLY

2 STEP TWO

Place the Seat upside down on the edge of a stable surface.



Align the Back in place with the Seat.

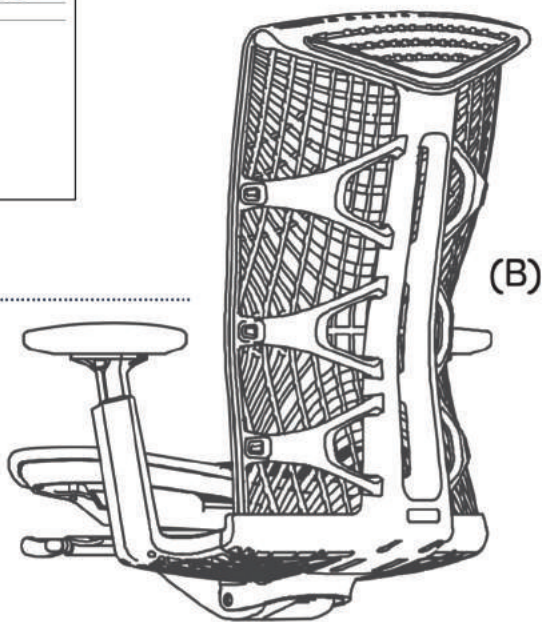
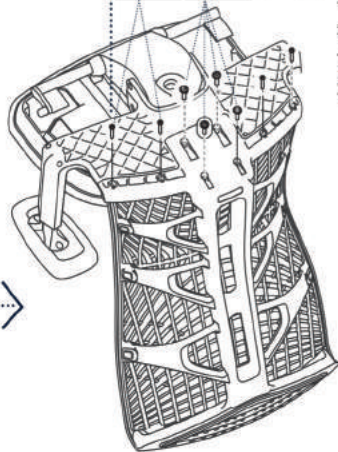


The Chair assembly up to this point should look like this. Ensure the Back and Seat sections are well connected.

Insert all 8 screws provided as shown in image.



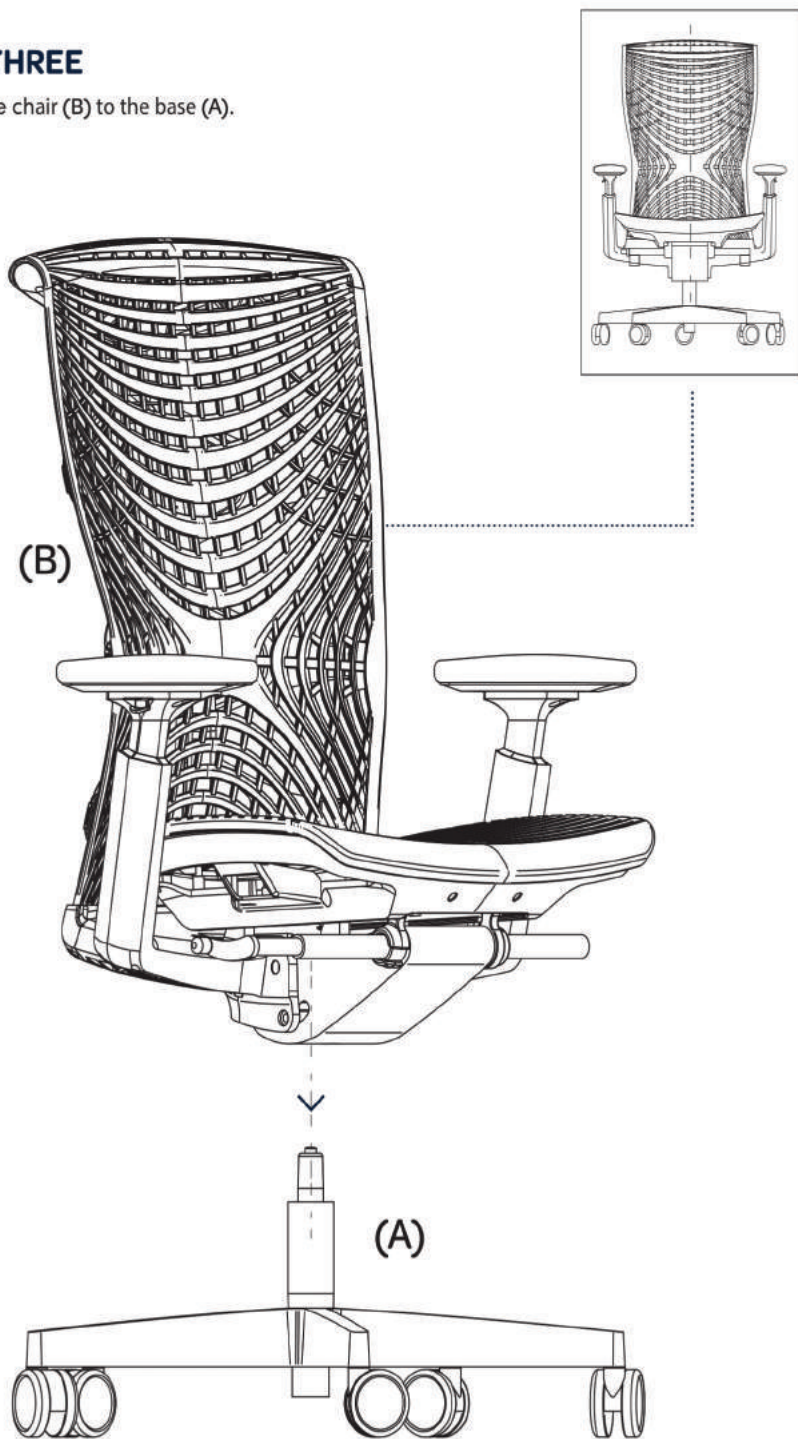
Use the Allen wrench provided to tighten Allen Screws and a screwdriver for the Tapping Screws.



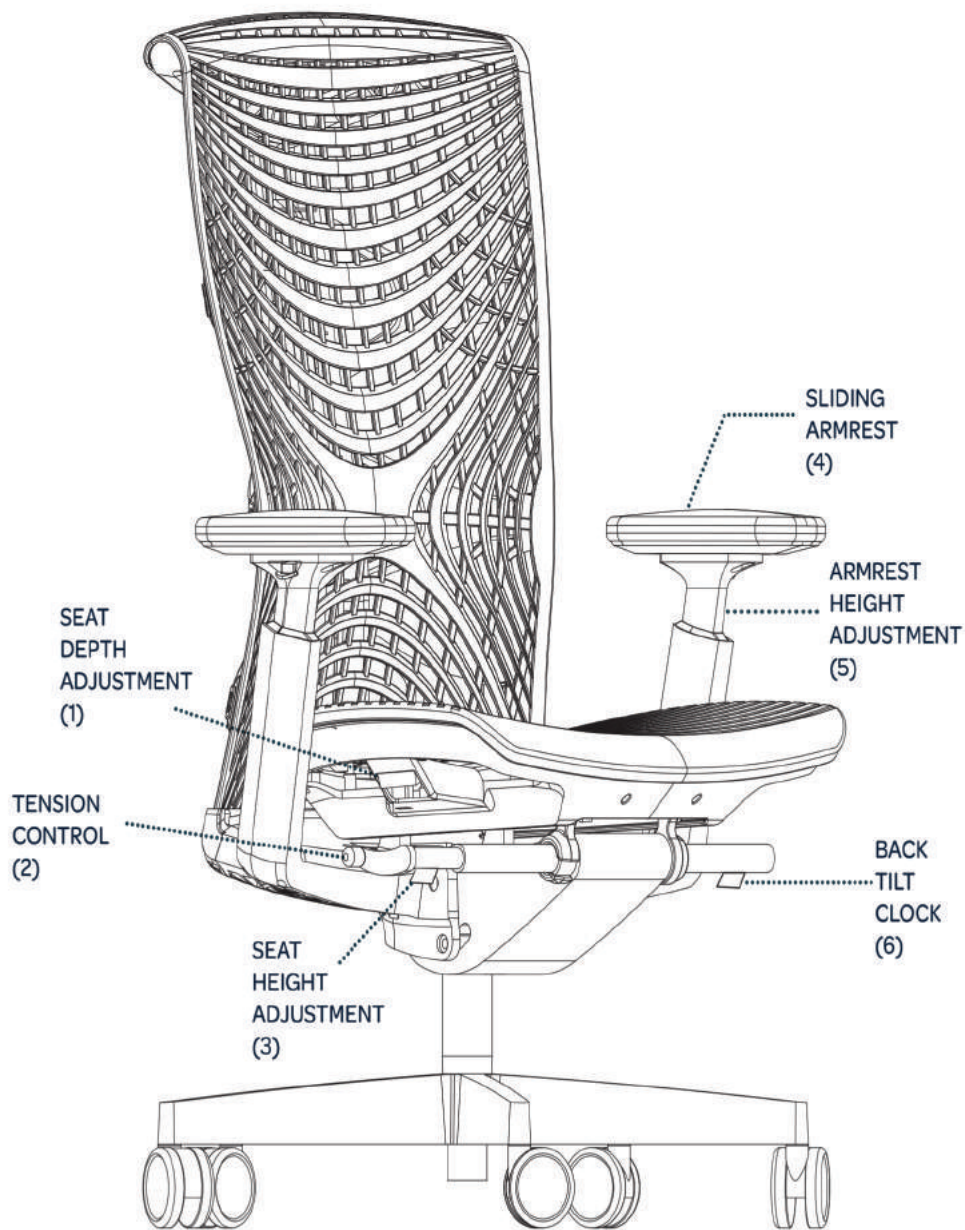
ASSEMBLY

3 STEP THREE

Attach the chair (B) to the base (A).

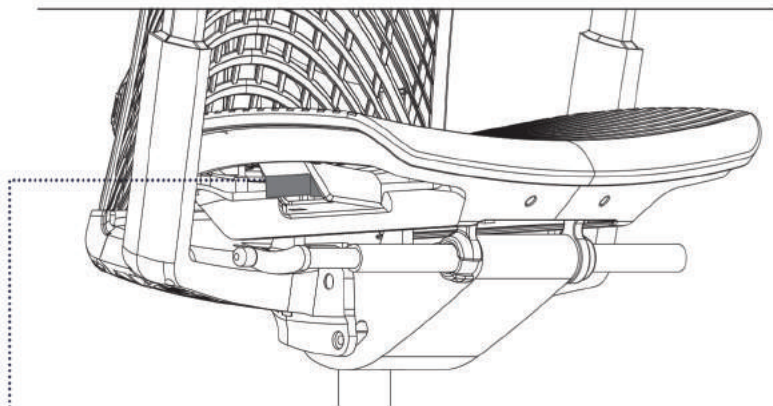


FUNCTIONS



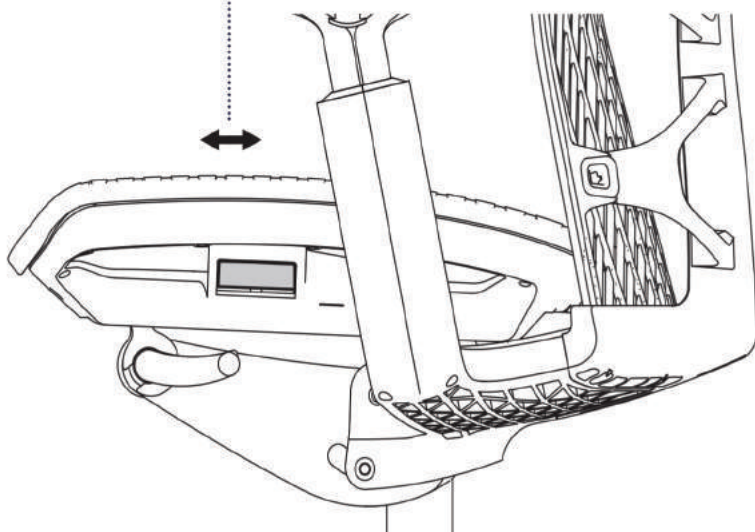
FUNCTIONS

1



Seat Depth

Pull lever out to slide seat forward or backward to desired depth. Adjust such that the front edge is not pressing on to your calves while your back is resting on the back rest.



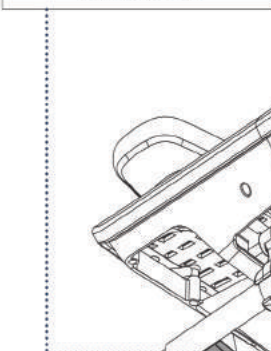
FUNCTIONS

3

Right side

Seat Height Adjustment

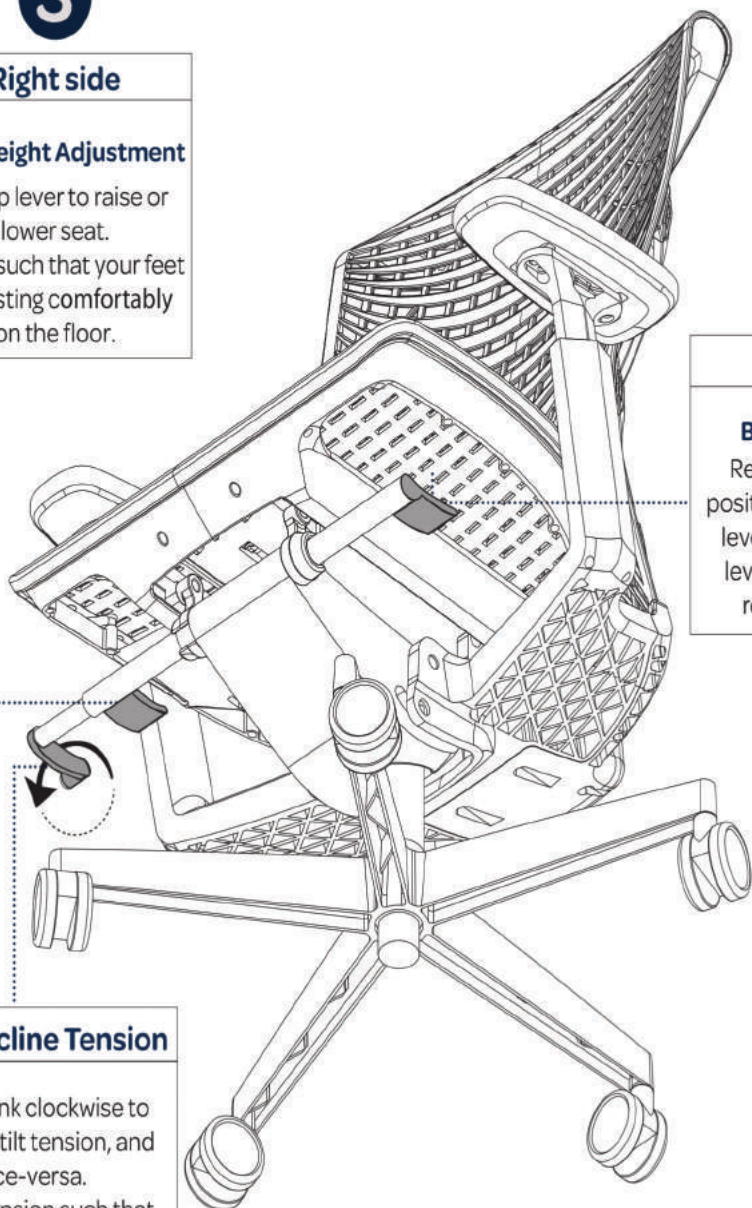
Flip up lever to raise or lower seat.
Adjust such that your feet are resting comfortably on the floor.



2

Tilt / Recline Tension

Turn crank clockwise to increase tilt tension, and vice-versa.
Adjust tension such that minimum effort is required to recline.

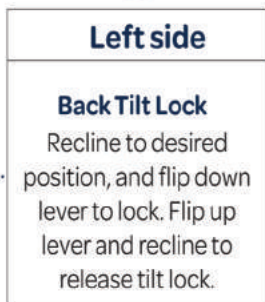


6

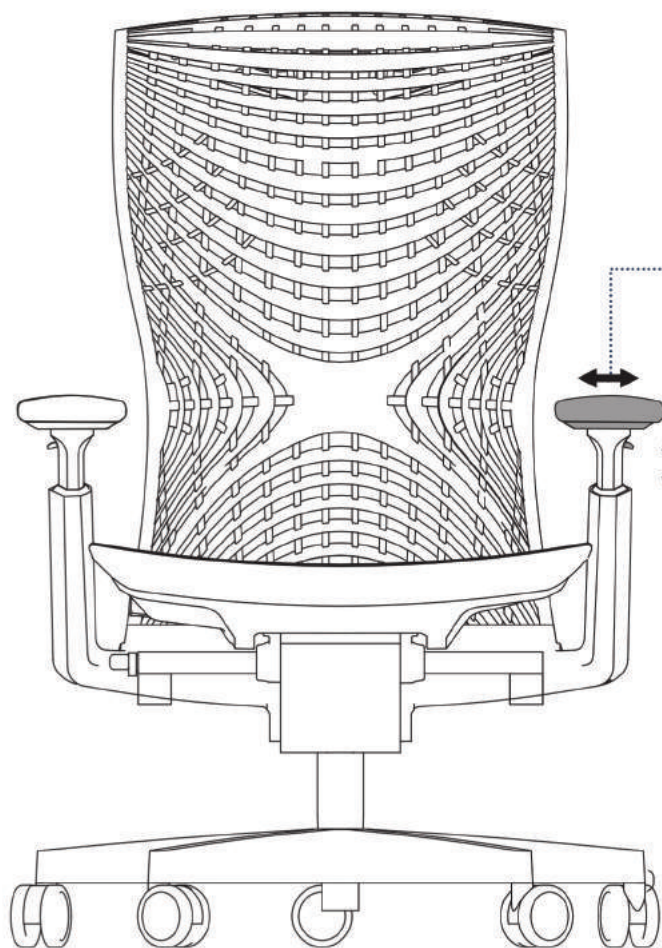
Left side

Back Tilt Lock

Recline to desired position, and flip down lever to lock. Flip up lever and recline to release tilt lock.



FUNCTIONS



4

Armrest Width

Grasp arm pads and slide out or inwards to desired width to match shoulder width.

Adjust such that elbows are resting on arm pads at a natural angle.

5

Armrest Height

Pull buttons under arm pads to unlock the armrest and raise or lower it to your desired height. Release buttons to lock.

Adjust such that elbows are resting on arm pads without straining the shoulders.



Read all instructions before assembling. Failure to assemble properly may result in damage.

Autonomous Chair Ultra

CARE AND MAINTENANCE

With regular care and maintenance, your Chair Ultra will provide years of superior performance and satisfaction. To maintain the quality of product, please follow the cleaning procedures provided below

GENERAL MAINTENANCE

Wash the chairs surface with a soft cloth soaked in mild detergent and warm water. Rinse thoroughly and wipe dry with a soft cloth.

Clean Casters by removing dirt and debris with a spray cleaner. Be sure to dry all components thoroughly. Finish up with a greaseless lubricant to keep wheels operating smoothly.

THINGS TO AVOID

Do not store your chair in a hot or damp conditions.

WARRANTY

For full warranty details,

visit autonomous.ai/warranty.

Autonomous

ABOUT

Autonomous is a global network of innovators. We're engineers who take apart your day, examine the pieces, and then reassemble your routine to help you #worksmarter. Our sole focus is towards realizing the gold standard of the smart office industry.