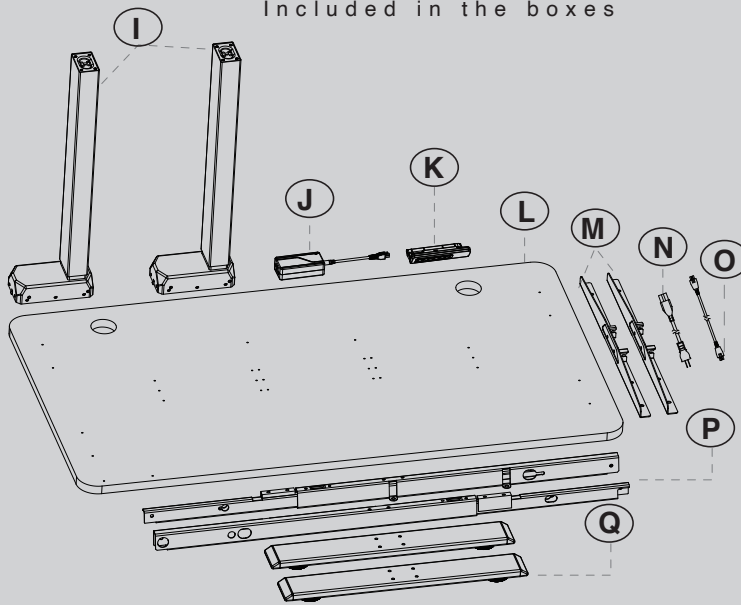


SmartDesk 2 (2-Stage)

ASSEMBLY INSTRUCTIONS

Included in the boxes



I. Leg	X2
J. Control box	X1
K. Keypad	X1
L. Desk Top	X1
M. Side Panel	X2
N. Power cord	X1
O. Connecting cable	X2
P. Frame	X1
Q. Foot	X2

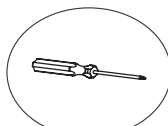
Tools needed:



3mm Allen wrench
(included)



4mm Allen wrench
(included)



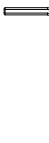
Screwdriver
(not included)

Screws included (actual size):

A
(1 pc)



B
(1 pc)



C
M6*10
(12 pcs)



D
M6*35
(8 pcs)



E1
ST5*16
(12 pcs)



E2
ST3.5*16
(2 pcs)



F
(1 pc)



G
(10 pcs)

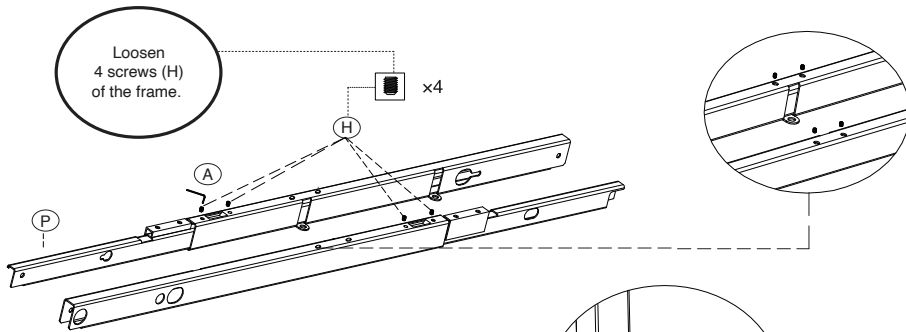


H
(4 pcs)

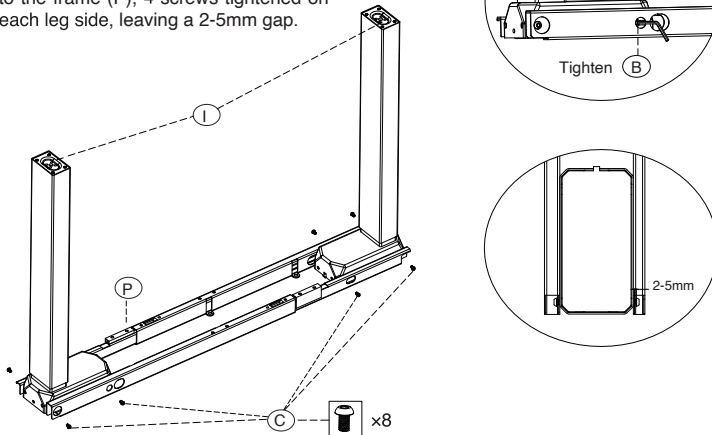


INSTRUCTIONS FOR ASSEMBLY

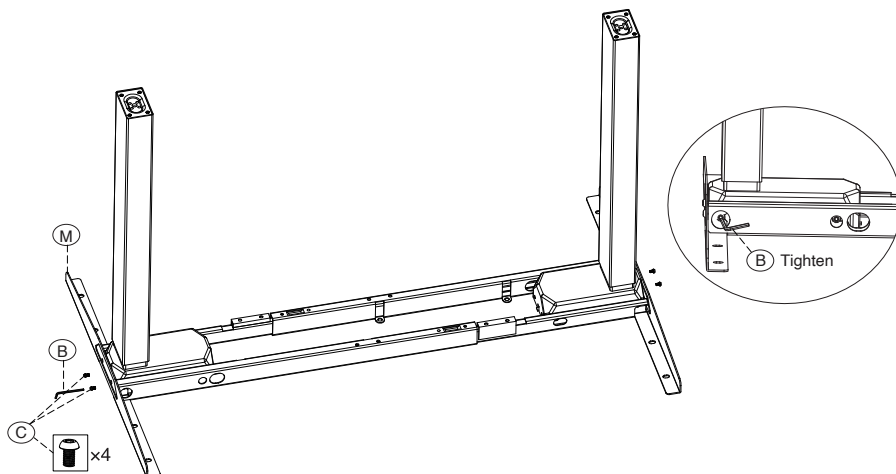
1. Loosen 4 screws (H) of the frame (P) with an Allen wrench (A), adjust the frame to the right position to fit the desk top (L), and then tighten the screws to fix it.



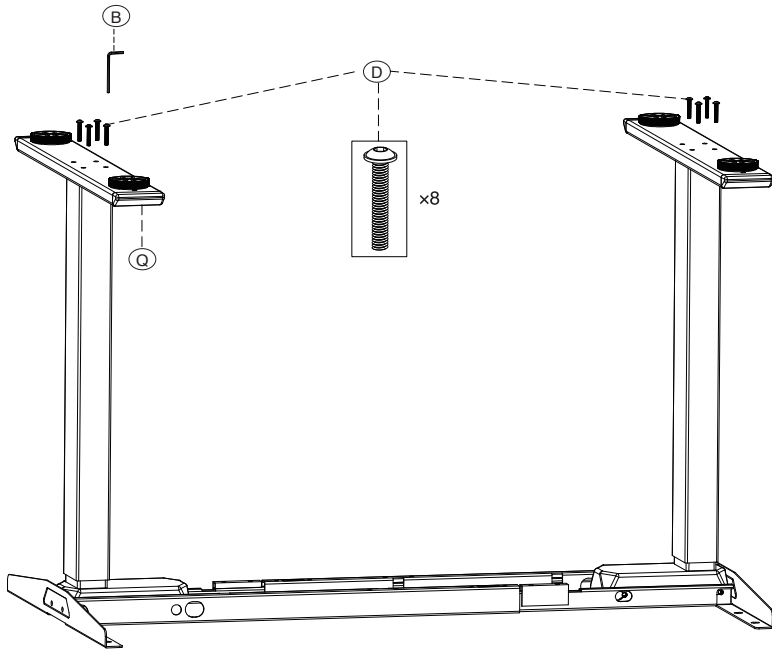
2. Use 8 screws (C) to attach the leg (I) to the frame (P), 4 screws tightened on each leg side, leaving a 2-5mm gap.



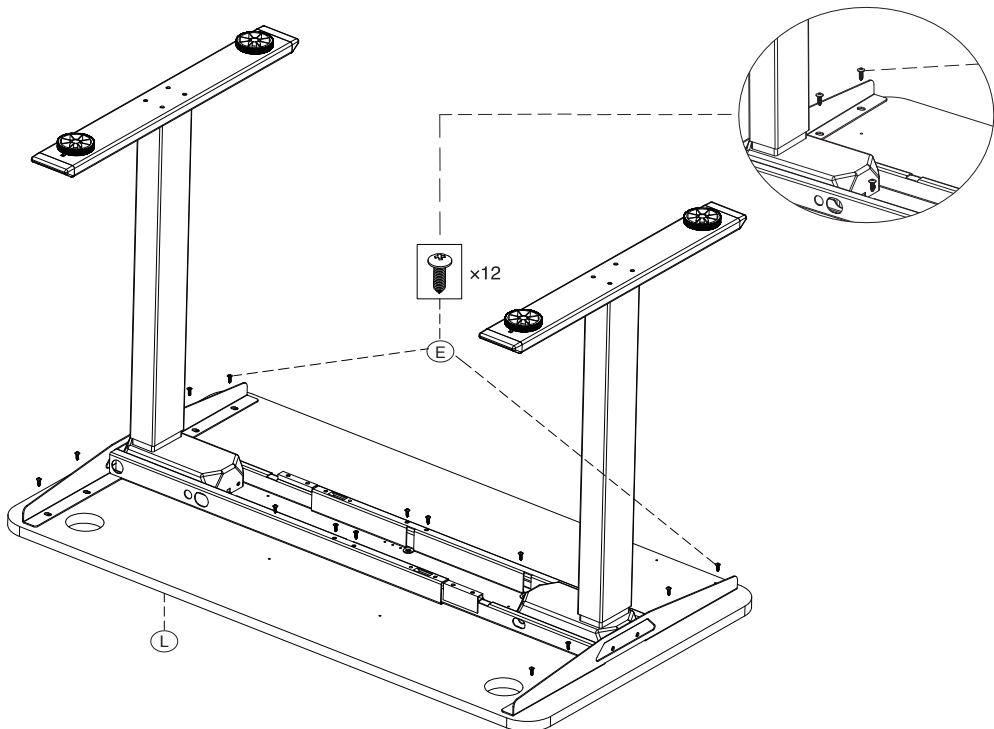
3. Attach the side panel (M) to the frame (P) with screws (C)



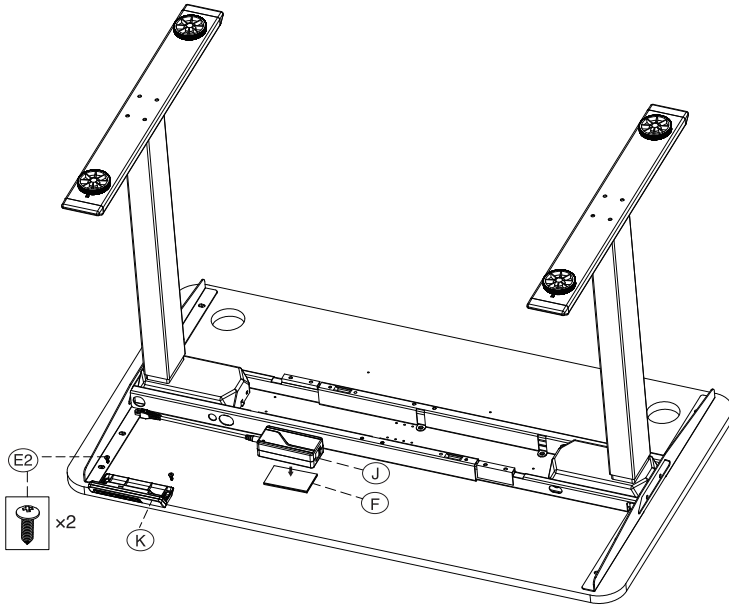
4. Use M6 x 35mm screws (D) to attach the foot (Q) and leg (I)



5. Use ST5 x 16mm screws (E1) to attach the whole frame to the desk top (L).

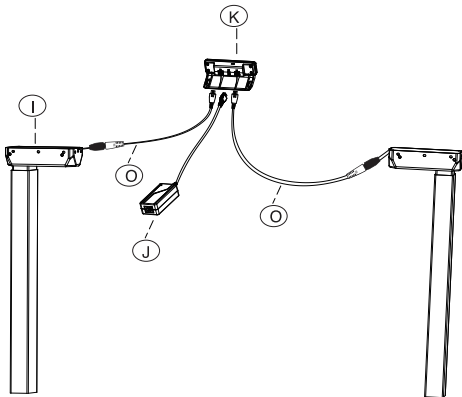


6. Use ST3.5 x 16mm (E2) screws to attach the keypad (K) to the desk top (L).

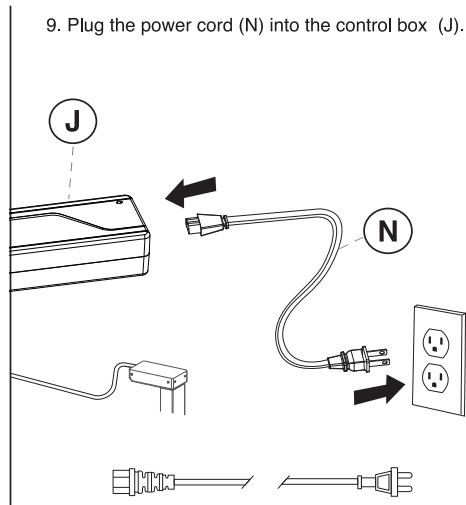


7. Use Velcro (F) to attach the control box (J) with the desk top (L). Note: The length of the control box cable is limited (8") and should not be too far from the keypad (K).

8. Connect the control box (J) to the keypad (K). Connect the cable (O) to the leg (I), then connect the cable (O) to the keypad (K).



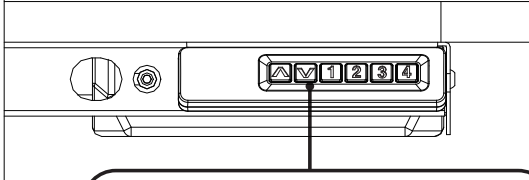
9. Plug the power cord (N) into the control box (J).



NOTE: Make sure no obstacles are in the desk's path. Make sure cords are a length that will accommodate the change in height

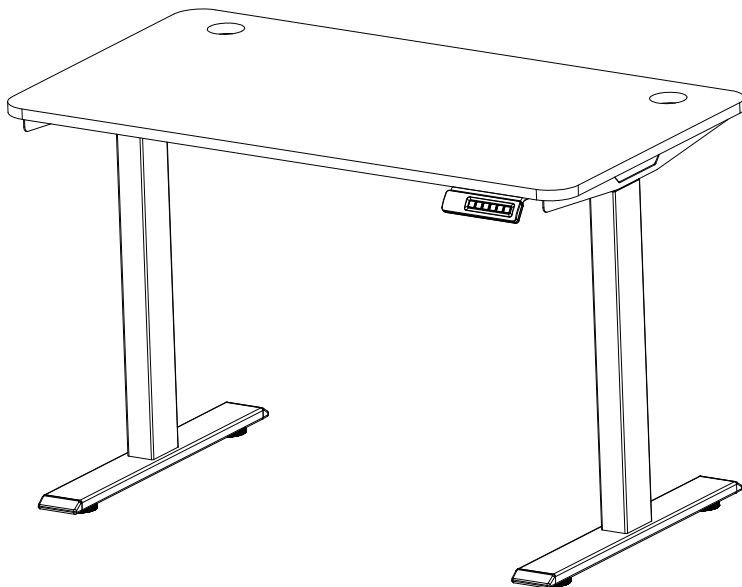
10. Connect the power cord to the outlet and reset the control box following these instructions.

IMPORTANT! You must RESET the desk prior to use.



Press and hold the down button until the desk top is in the lowest position, then release the button and press the down button again for 5 seconds, when the keypad screen display "RST", release the button, press and hold the down button until the keypad screen displays the number.

Congratulation, you are finished setup and your desk is ready to use.



INSTRUCTIONS FOR USE

1.Adjust Smart Desk's height

Press "Up" or "Down" button to adjust the height of the desk.

2.Program pre-set buttons

To use the presets on the Smart Desk please follow the steps to set the desk to the height you like:

Long press the " ①/②/③/④ " key for 3 seconds until the digital numbers flash and stop flashing after 3 times, the current height is successfully saved to the corresponding memory location.

3.Reset the desk

Unplug the power cord to the control box.

Unplug the cable from the keypad to the control box and re-plug all the cables again.

Press and hold the down button until the desk top is in the lowest position, then release the button and press the down button again for 5 seconds, when the keypad screen display "RST", release the button, press and hold the down button until the keypad screen displays the number.

Before use make sure that:

The legs are level and start at the lowest position.

All the screws are tightened or else the desk will make noise/wobble.

DESK PLACEMENT

When moving the desk. DO NOT lift the desk by the desk top alone, support both the frame and the desk top equally. Otherwise, it can stress the fasteners connecting the desk frame to the desktop. Lower the desk top completely before moving it.

Choose a placement for the desk that's a safe distance from window frames, radiators, furniture,etc, so that people do not get stuck or trapped by the desk and nothing obstructs the desk from rising or lowering.

Ensure the distance between the desk and the power source. Connect the desk's power cord to a 110V-240v outlet to get it ready to use.

Do not place any objects underneath the desk that are taller than 25".

ABOUT

Autonomous is a global network of innovators. We're engineers who take apart your day, examine the pieces, and then reassemble your routine to help you #worksmarter. Our sole focus is towards realizing the gold standard of the smart office industry.

Visit: www.autonomous.ai/warranty.