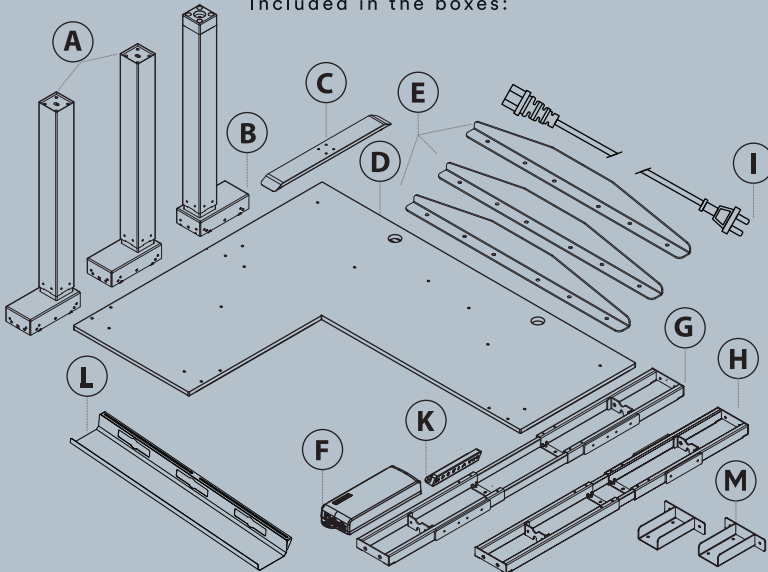


SmartDesk 2 L-Shaped

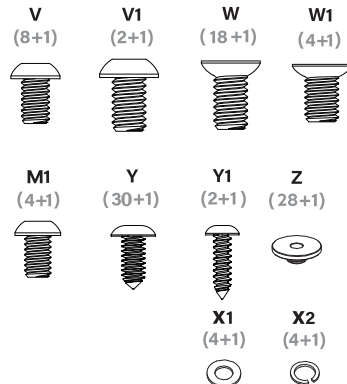
ASSEMBLY INSTRUCTIONS

Included in the boxes:



- | | |
|------------------|----|
| A. Side Leg | x2 |
| B. Middle leg | x1 |
| C. Foot | x2 |
| D. Desk Top | x1 |
| E. Bracket | x3 |
| F. Control Box | x1 |
| G. Support Beam1 | x1 |
| H. Support Beam2 | x1 |
| I. Power Cable | x1 |
| K. Key pad | x1 |
| L. Cable Tray | x1 |
| M. Auxiliary Bar | x2 |

Screws included
(actual size):

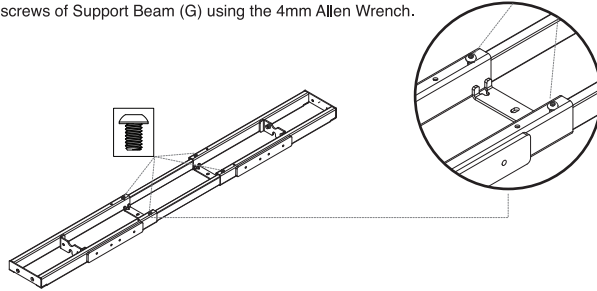


Tools needed:

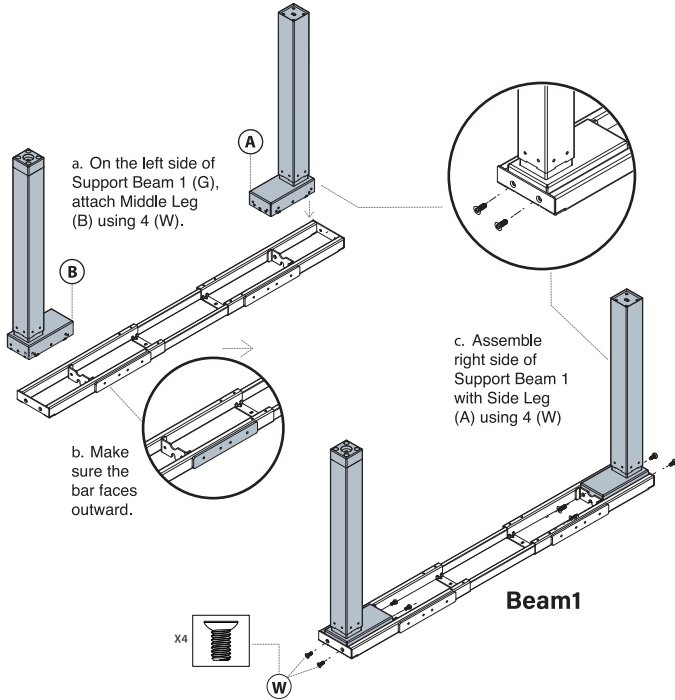


INSTRUCTIONS FOR ASSEMBLY

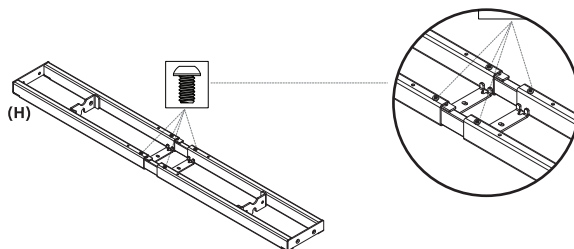
1. Loosen the screws of Support Beam (G) using the 4mm Allen Wrench.



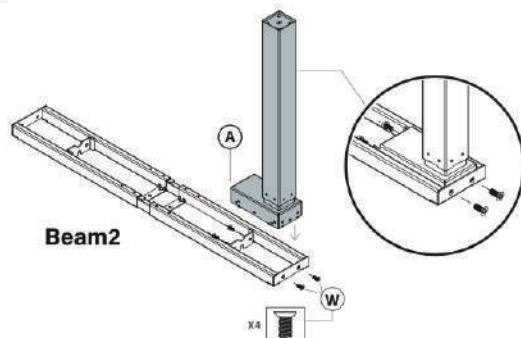
2. Extend Support Beam (G) and place over 1 x Side Leg (A) and Middle Leg (B). Fix both legs into place using 8 x (W) Screws.



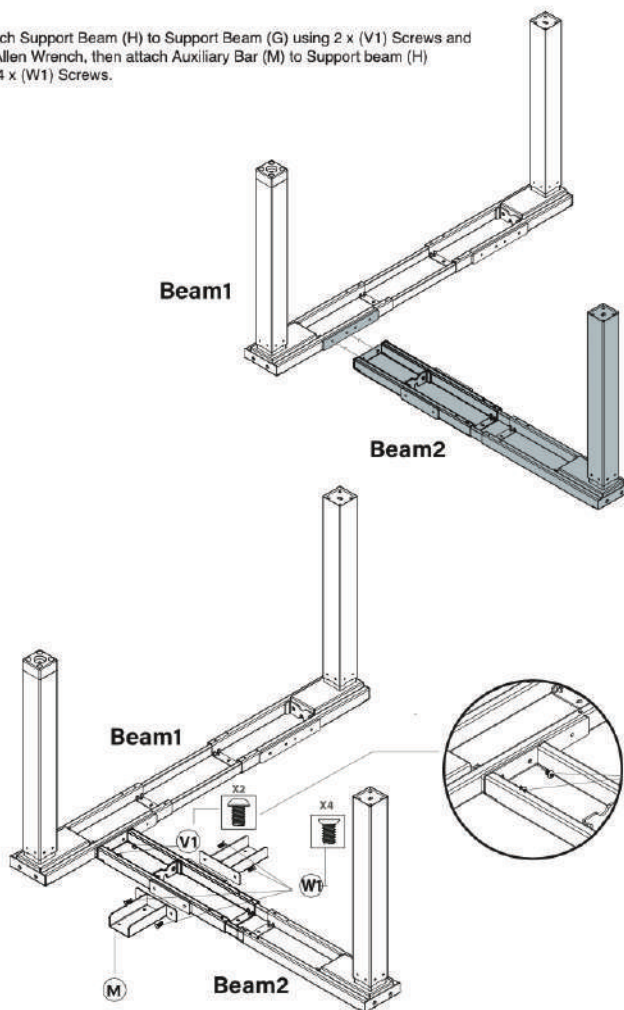
3. Loosen the screws of Support Beam (H) using the 4mm Allen Wrench.



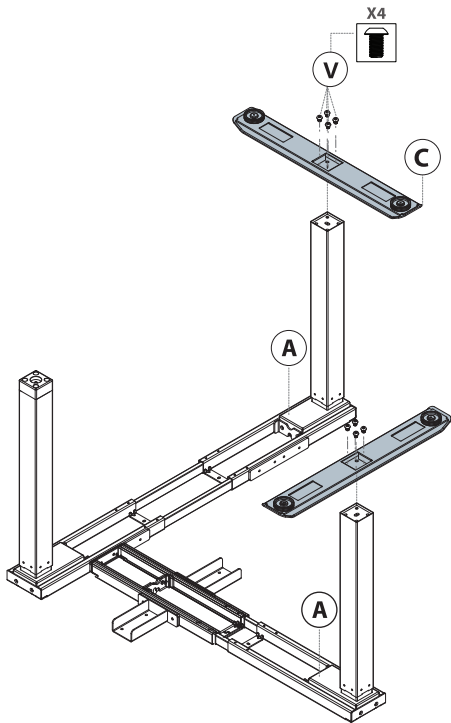
4. Extend Support Beam (H) and place over the remaining Side Leg (A). Fix into place using 4 x (W) Screws.



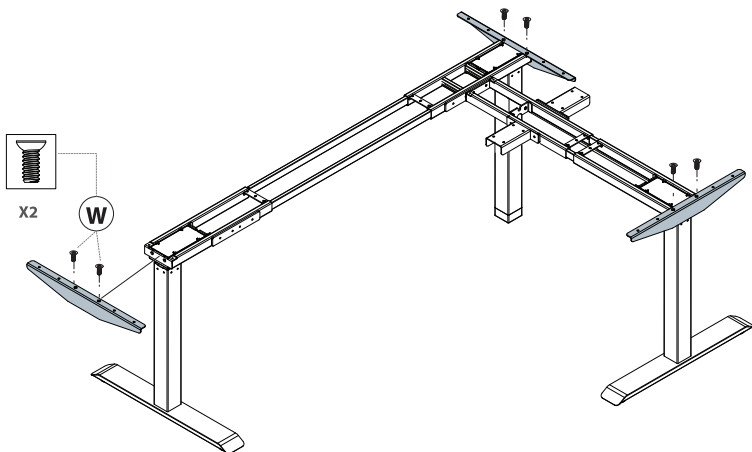
5. Attach Support Beam (H) to Support Beam (G) using 2 x (V1) Screws and 4mm Allen Wrench, then attach Auxiliary Bar (M) to Support beam (H) using 4 x (W1) Screws.



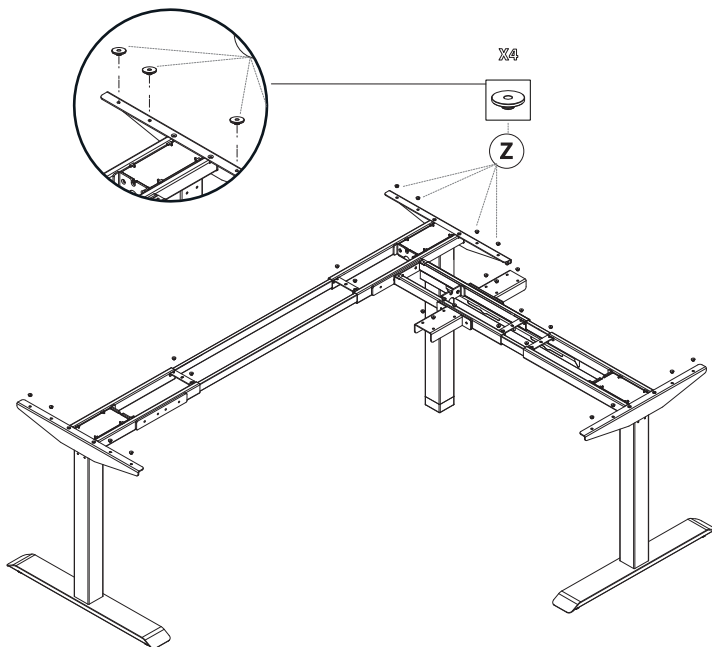
6. Attach 1 x Foot (C) to each Side Leg (A) using 4 x (V) Screws.



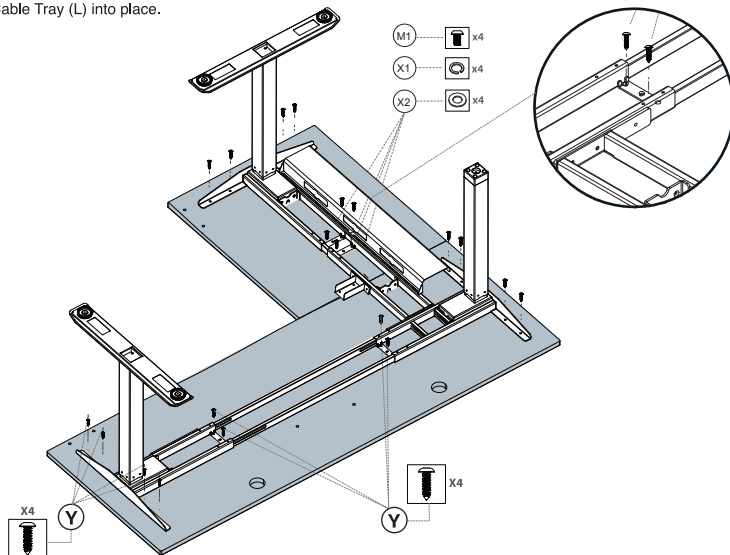
7 Flip the frame upright. Attach 3 x Brackets (E) to the end of the Support Beams using 2 x (W) Screws for each Bracket.



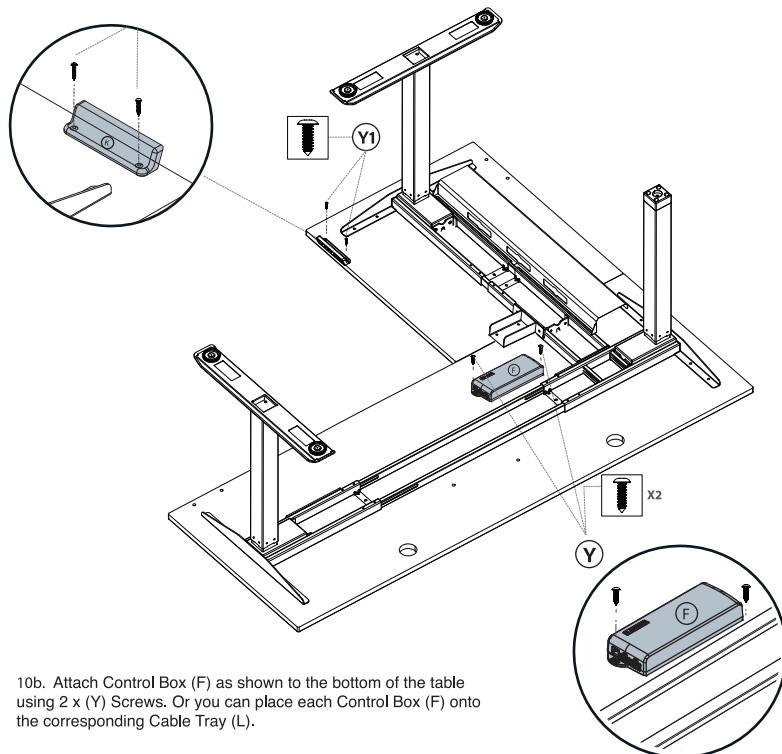
8. Place 28 x (Z) Rubber Cushions on the Brackets and Support Beams as shown.



9. With a partner, carefully place Desktop (D) into position on top of the frame. Then, fix Desktop (D) into place using 28 x (Y) Screws in the positions indicated. Unscrew 4 Screws on the frame. Place 1 x (X2) Spring Washer and 1 x (X1) Plain Washer on each (M1) Screw, then use them to fix the Cable Tray (L) into place.

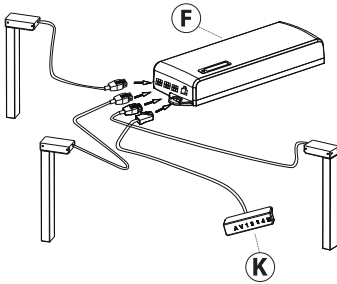


10a. Fix Keypad (K) into its corresponding place using 2 x (Y1) Screws.

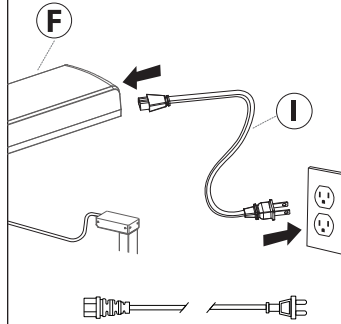


10b. Attach Control Box (F) as shown to the bottom of the table using 2 x (Y) Screws. Or you can place each Control Box (F) onto the corresponding Cable Tray (L).

11a. Connect the Control Box (F) to corresponding Control Switch (K), and Legs cable.



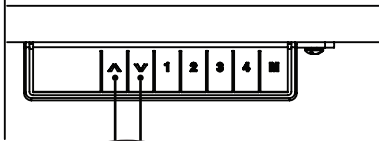
11b. Plug the Power Cable (I) into Control Box (F) and then into a power outlet.



NOTE: Make sure no obstacles are in the desk's path. Make sure cords are a length that will accommodate the change in height.

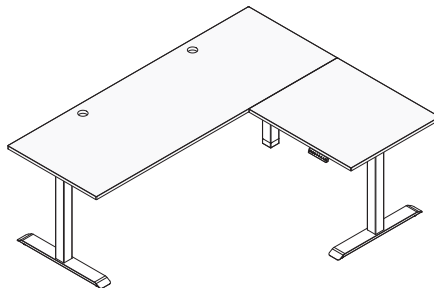
12. Before use, you must reset the Control Box.

IMPORTANT! You must RESET the desk prior to use.



Press up and down buttons at the same time until it beeps and goes down to the lowest level

Release both buttons and press down button until exact height appears on display.



YOUR DESK IS READY TO USE.

INSTRUCTIONS FOR USE

1. Adjust SmartDesk's height

Press "Up" or "Down" button to adjust the height of the desk.

2. Program pre-set buttons

To use the presets on the SmartDesk, please follow the steps:

Set the desk to the height you like.

Press the M button until the LED flashes.

Press the number you want the desk set to.

3. Reset the desk

Unplug the power cord to the control box.

Unplug the cable from the keypad to the control box.

Plug all the cables again.

Do the reset: Press up and down buttons at the same time until it beeps and goes down to the

Lowest level: Release both buttons, then press only down until it shows the exact height.

Your desk is ready to use.

Before use make sure that:

The legs are level and start at the lowest position.

All the screws are tightened or else the desk will make noise/ wobble.

DESK PLACEMENT

When moving the desk, DO NOT lift the desk by the desktop alone. Support both the frame and the desk top equally. Favoring one over the other can stress the fasteners connecting the desk frame to the desktop. Lower the desk completely before moving it.

Choose a placement for the desk that's a safe distance from window frames, radiators, furniture, etc., so that people do not get stuck or trapped by the desk, and nothing obstructs the desk from rising or lowering.

Ensure adequate cord clearance before using the desk. Connect desk's power cord to the **110V - 240V** outlet to make the desk ready for use.

Do not place any objects underneath the desk that are taller than 25".