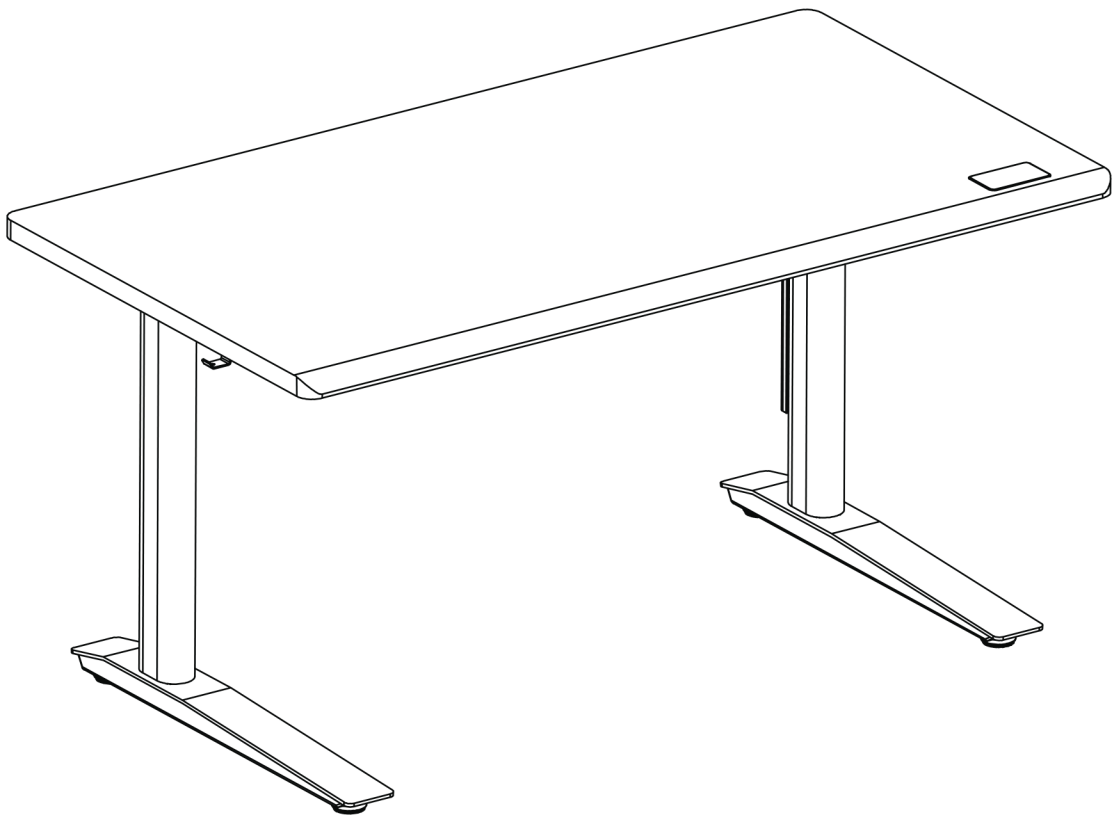


Autonomous

# SmartDesk 5

Assembly Guide



Assembly Time

**30-45** min

Number of People

**2**



# TABLE OF CONTENTS

---

<b>CAUTION</b>	1
<b>INCLUDED PARTS</b>	2
<b>ASSEMBLY GUIDE</b>	
COLUMN ASSEMBLY	3
SIDE BRACKET ASSEMBLY	4
FOOT ASSEMBLY	5
CENTER RAIL ASSEMBLY	6
FRAME INSTALLATION	7
CABLE TRAY ASSEMBLY	9
DESK FLIPPING	10
CABLE MANAGEMENT	11
ACCESSORY INSTALLATION	12
<b>SETUP KEYPAD</b>	
RESET INSTRUCTION	13
HEIGHT ADJUSTMENT & MEMORY SETUP	14
ANTI-COLLISION LEVEL SETTINGS	15



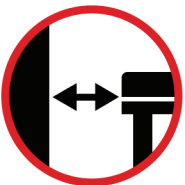
READ AND FOLLOW ASSEMBLY INSTRUCTIONS CAREFULLY BEFORE USE.



Keep kids and pets away during use.



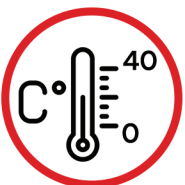
Unplug during storms or long unused periods.



Keep desktop away from walls for ventilation.



Keep the under-desk area (20"+) obstacle-free during use.



Keep the desk in 0-40°C, away from dust and corrosives.



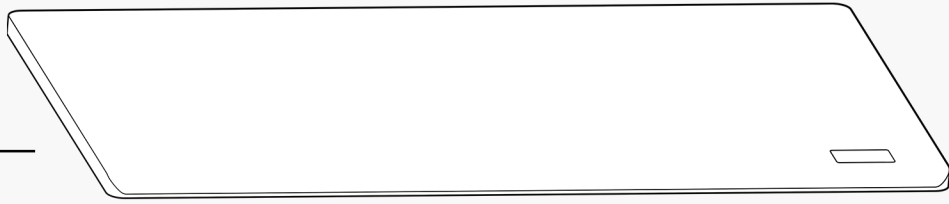
Do not disassemble without permission.



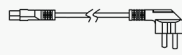
Manually reset after first use or power outage.

# INCLUDED PARTS

Desktop



Power Cord

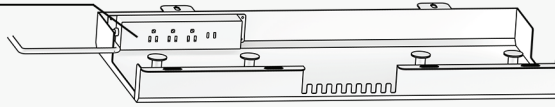


Keypad

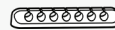
Power Outlet

Control Box

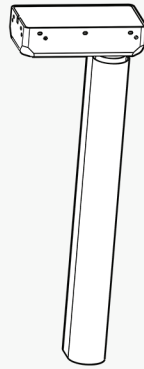
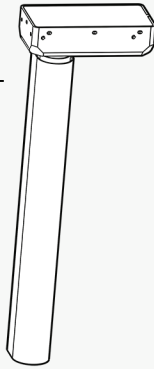
Cable Tray



Cable Organizer



Columns



Hooks

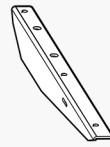
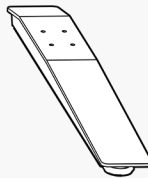
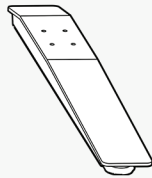
x 2

x 2

Upper Tube



Feet

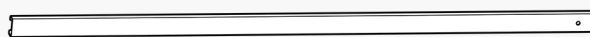
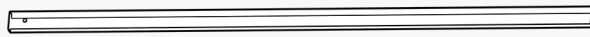


Side Brackets

x 2

x 2

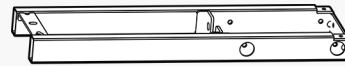
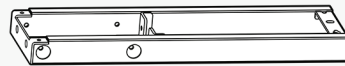
Center Rails



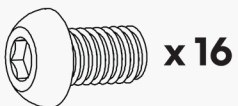
Frames

x 2

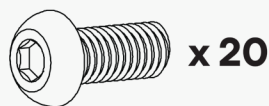
x 2



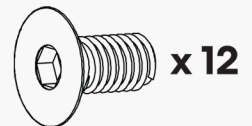
**A** M6x10 Screws



**B** M6x14 Screws



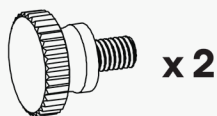
**C** M6x12 Screws



**D** M4 Wrench

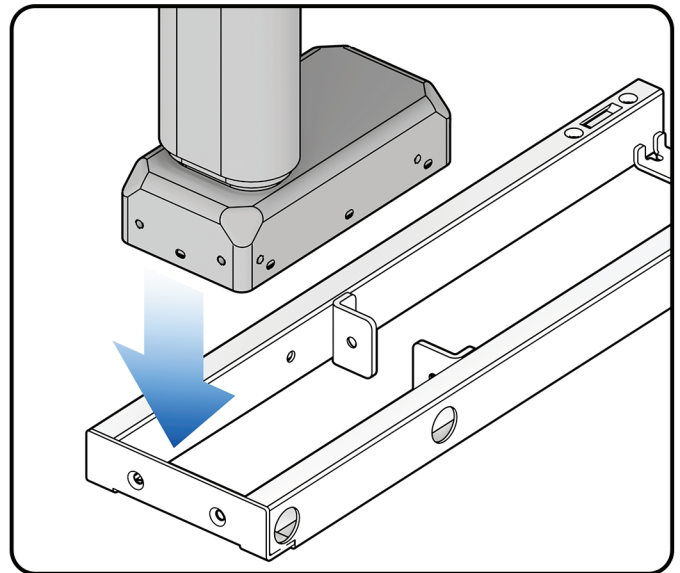
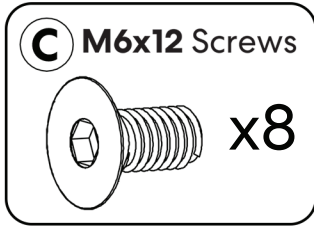
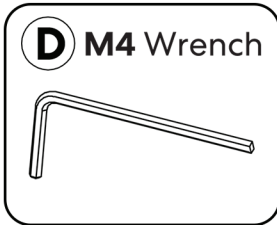
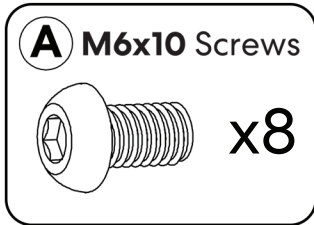


**E** M6x10 Hand Screws

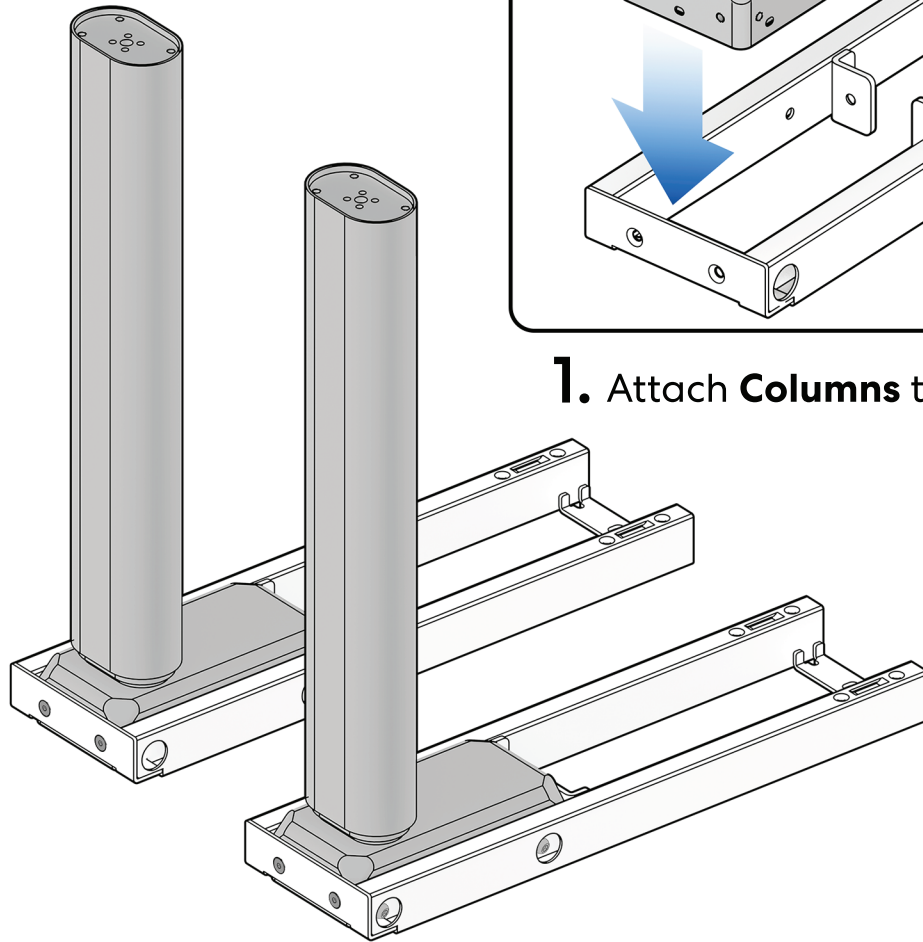


**F** Zip Ties

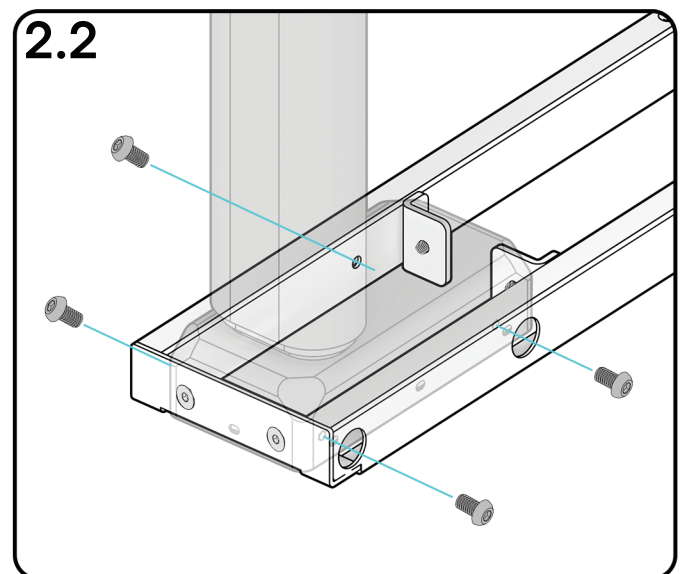
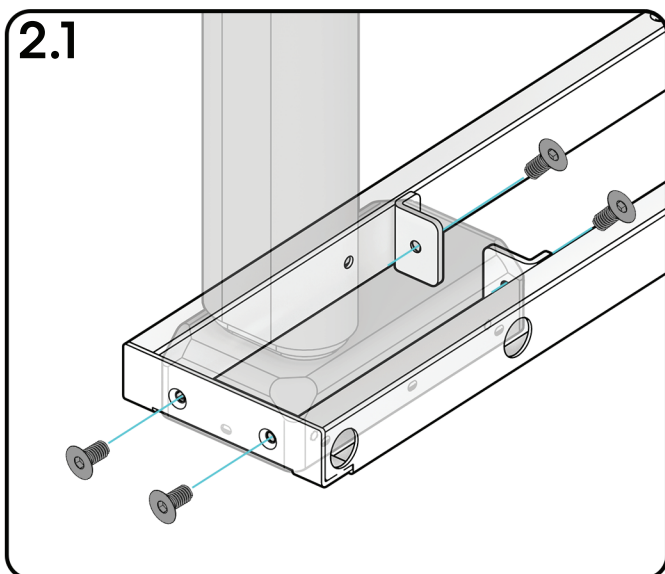




**1.** Attach **Columns** to the **Frame**

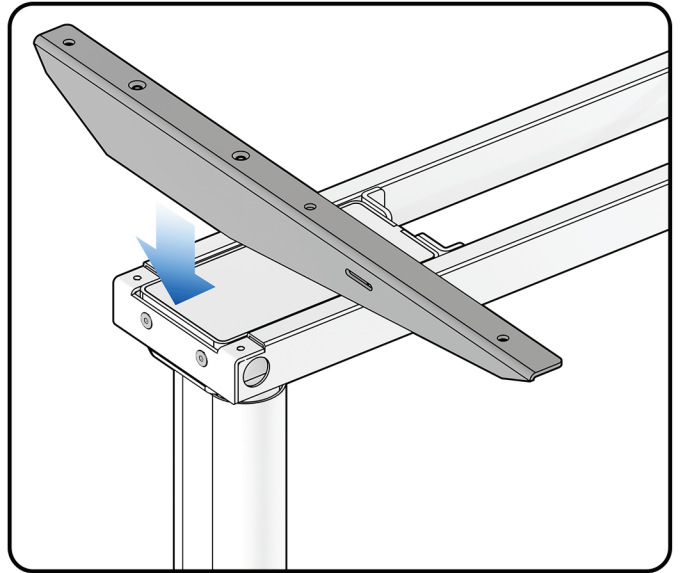
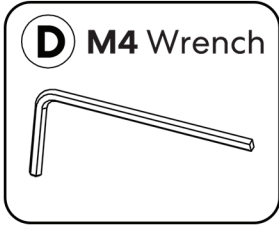
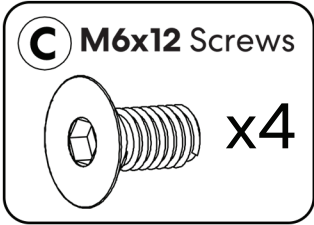


**2.** Easily align the screw positions by inserting 4 screws **C** (2.1) and 4 screws **A** (2.2), without tightening

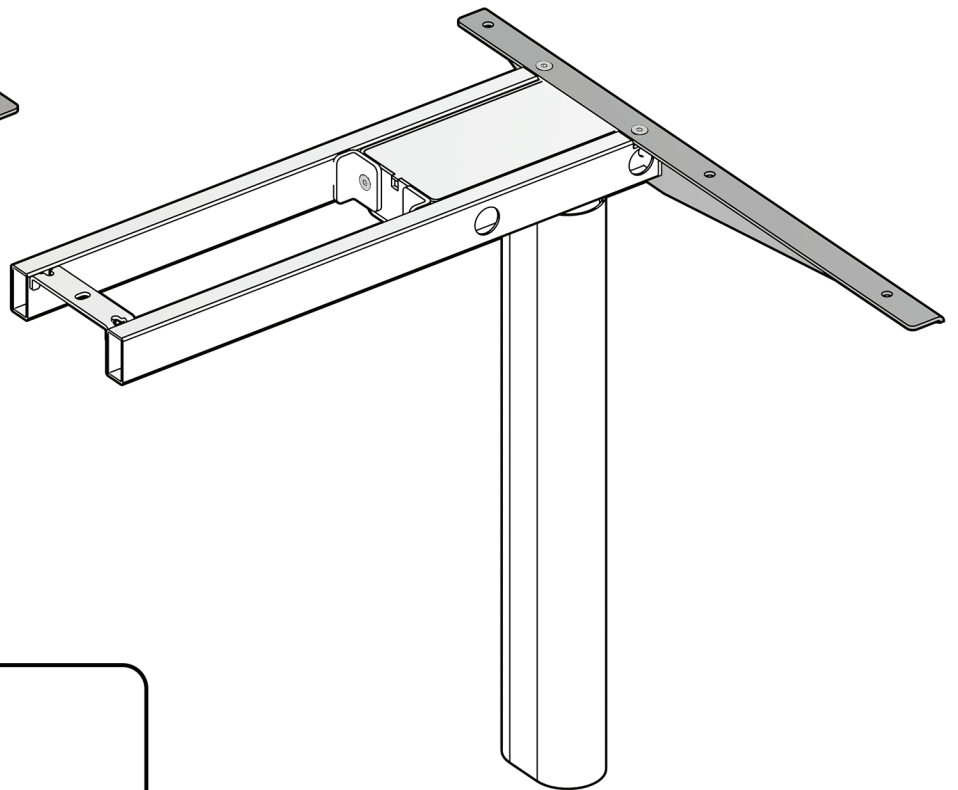
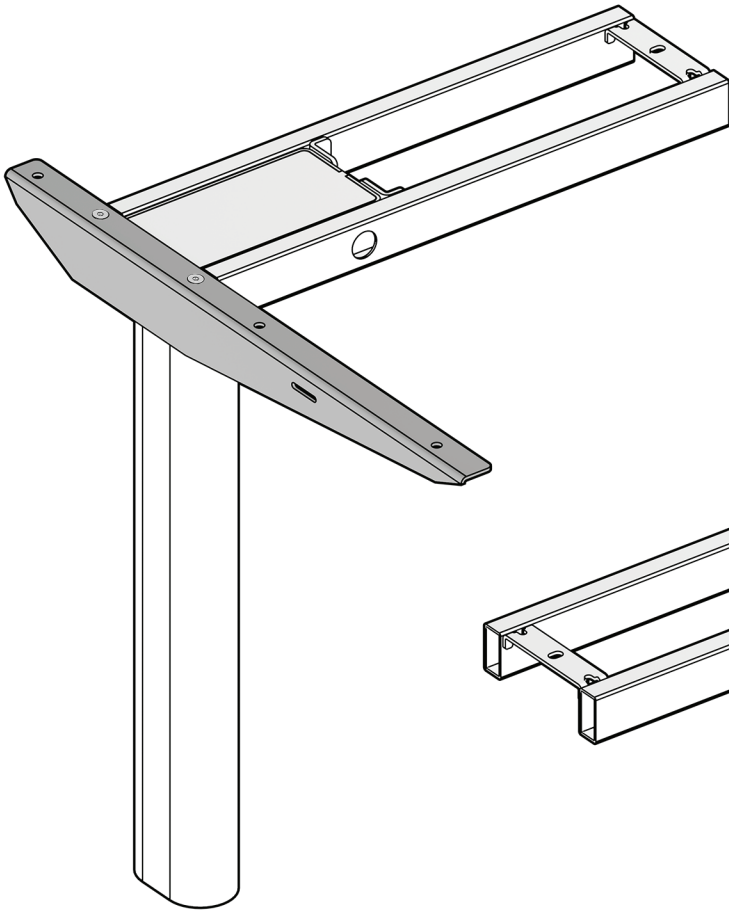


**3.** Tighten screws **C** (2.1) and screws **A** (2.2)

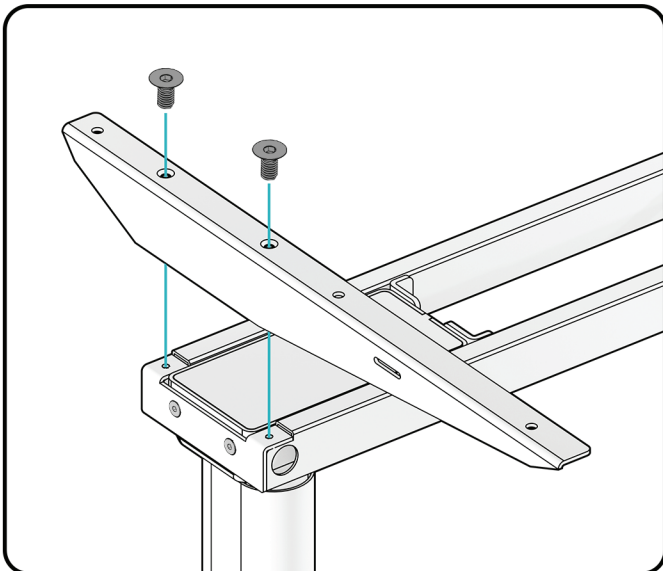
# SIDE BRACKET ASSEMBLY



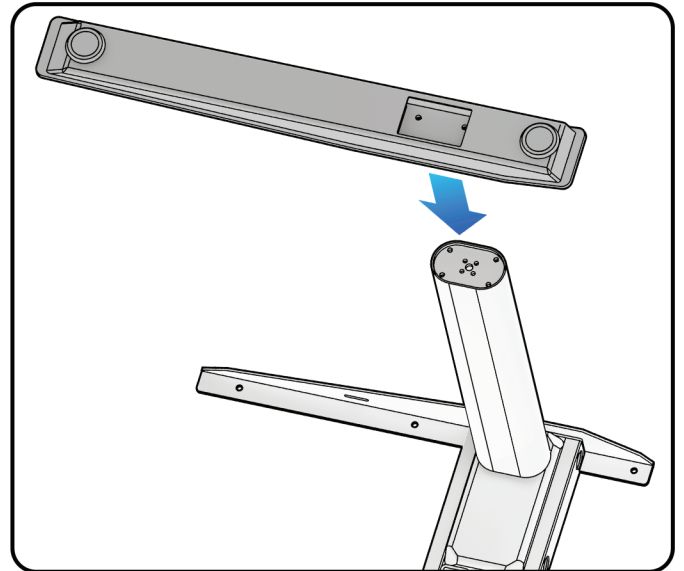
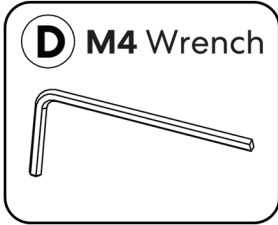
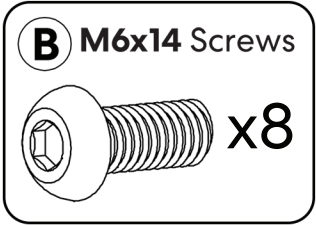
**1.** Attach **Side Brackets** to the **Frame**



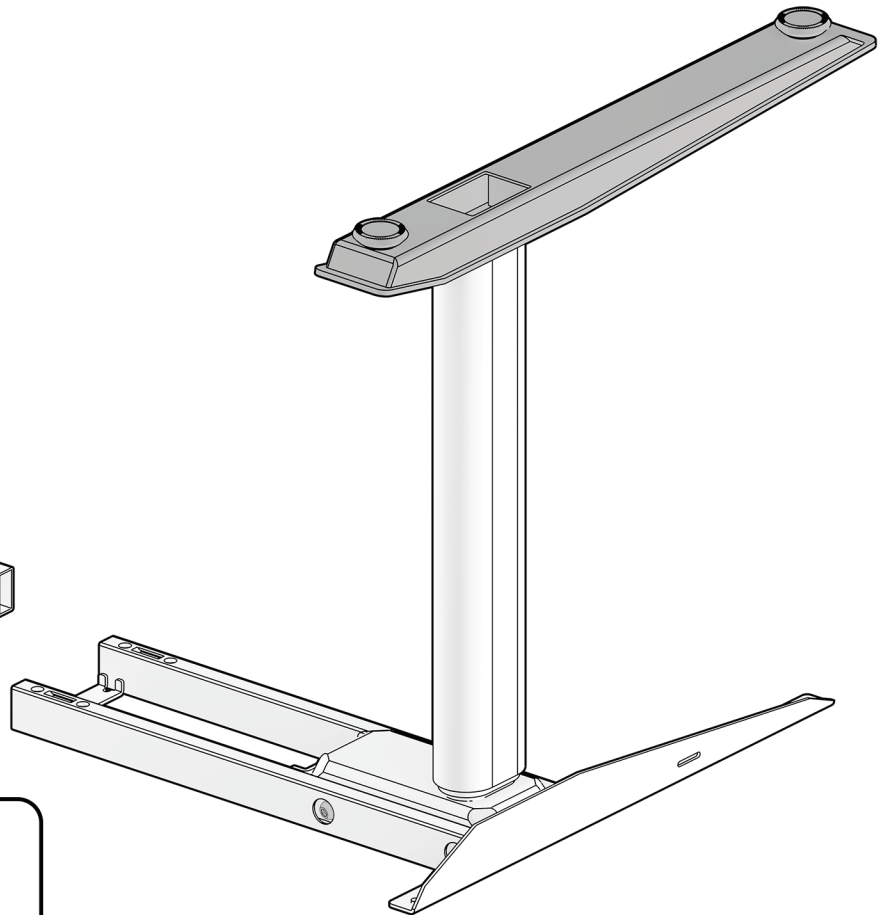
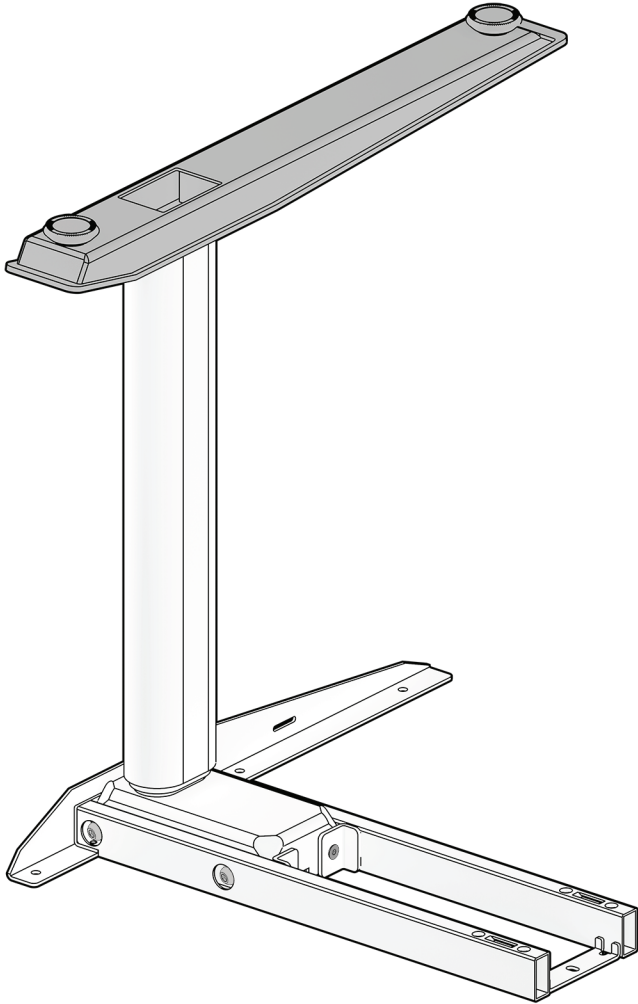
**2.** Insert 2 screws **C**



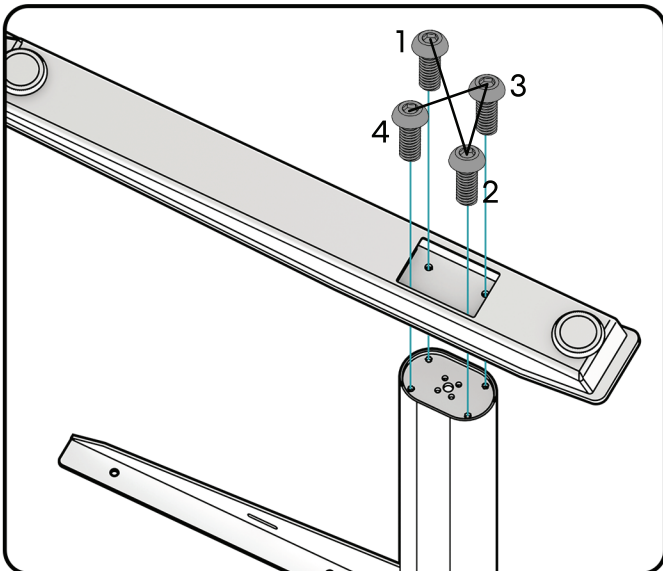
# FOOT ASSEMBLY



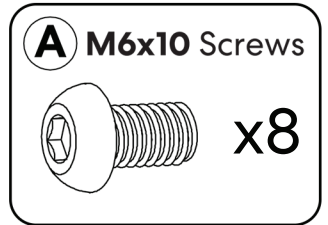
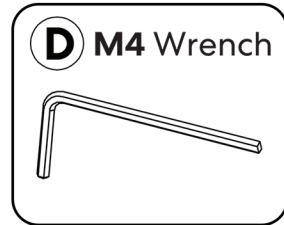
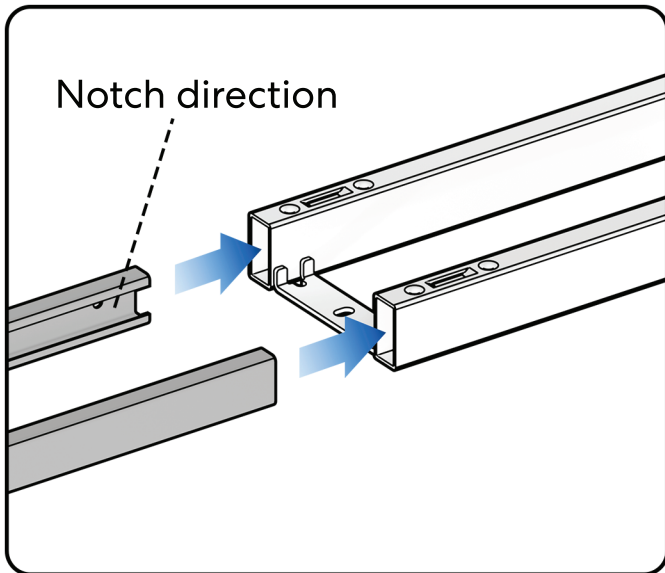
**1.** Attach Feet to Columns



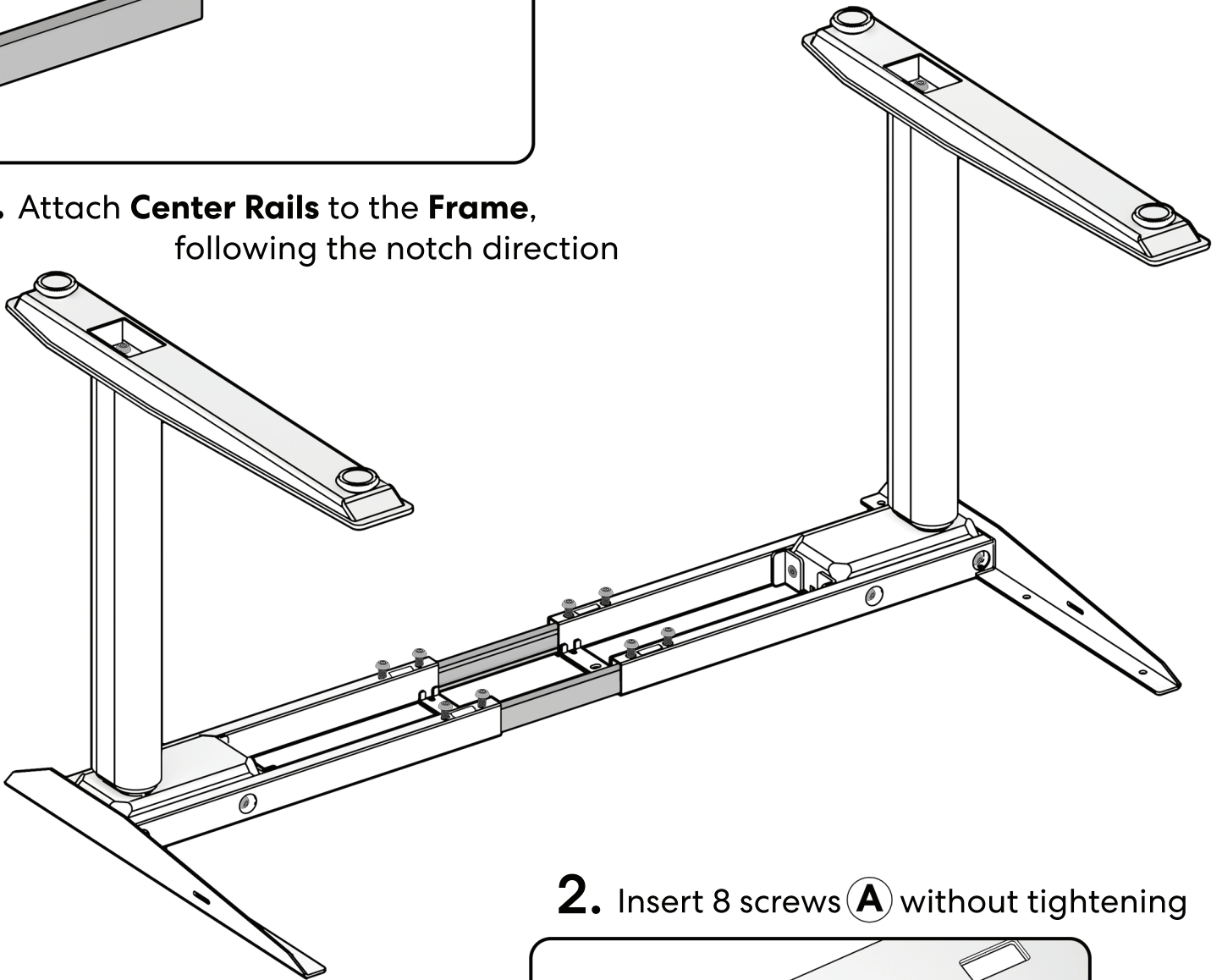
**2.** Insert 4 screws **B**



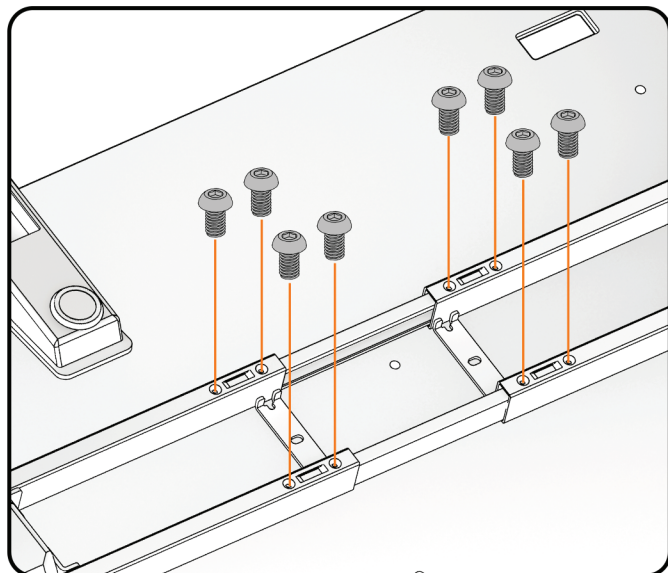
# CENTER RAIL ASSEMBLY



**1.** Attach **Center Rails** to the **Frame**, following the notch direction



**2.** Insert 8 screws **A** without tightening

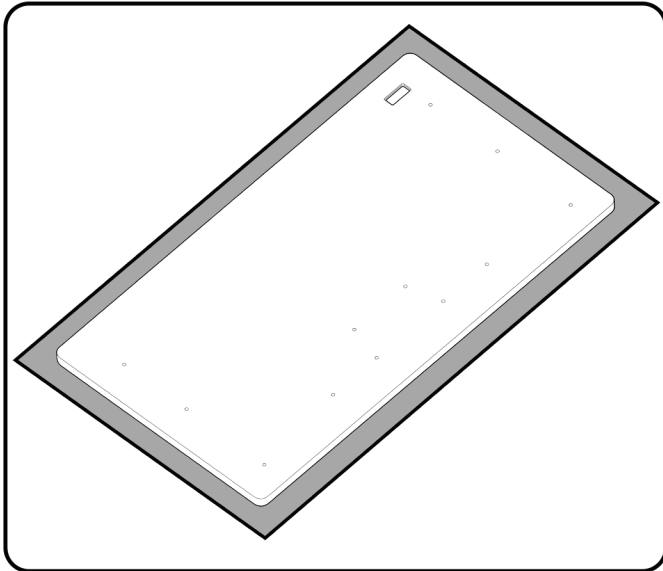
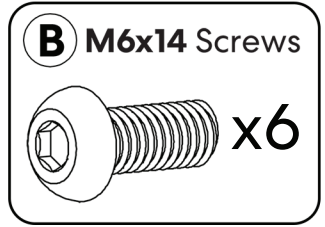
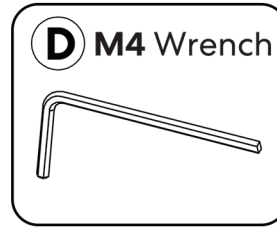




# FRAME INSTALLATION

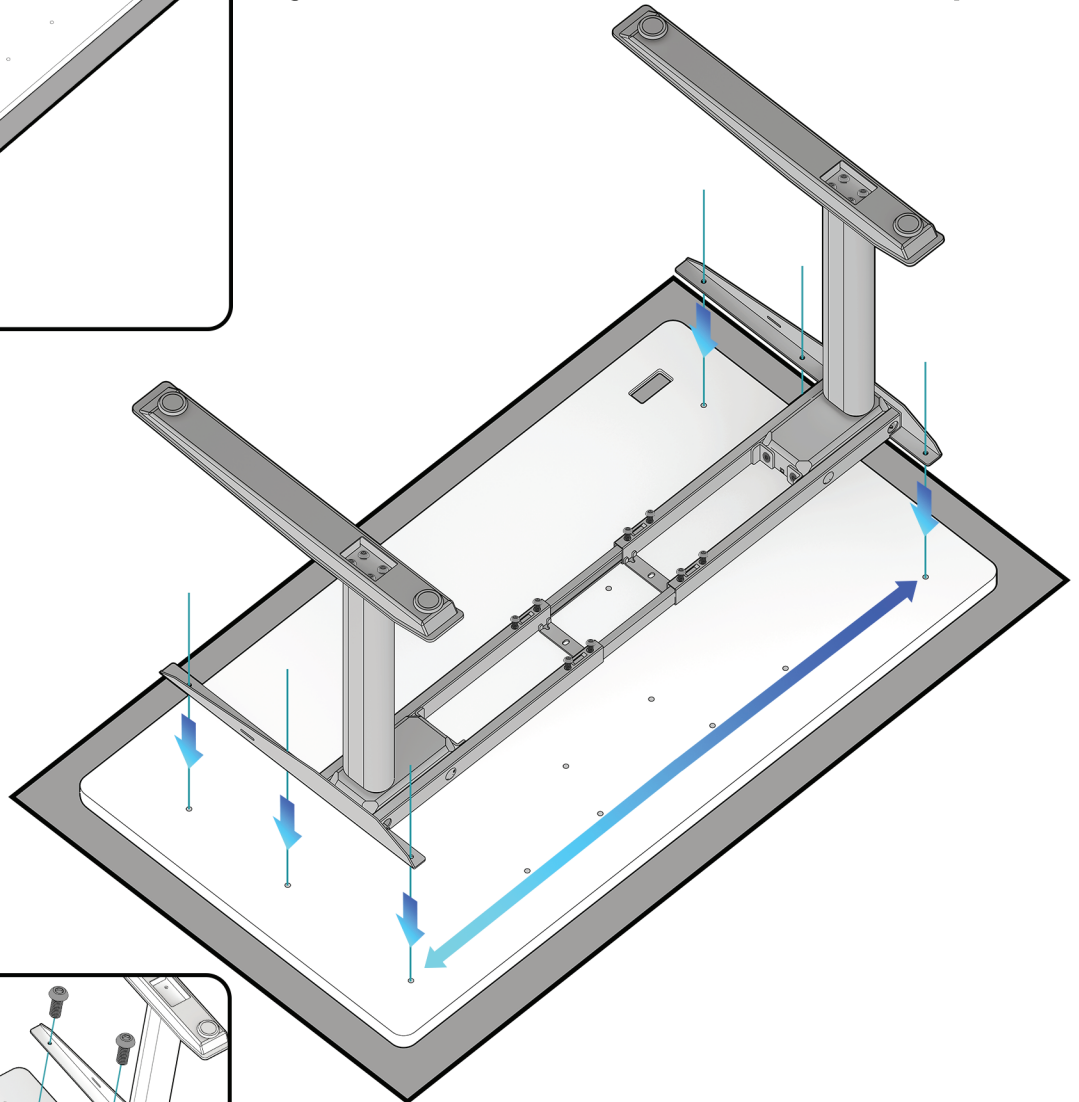


1. Place a **Foam Pad** under the **Desktop** to prevent scratches when installing

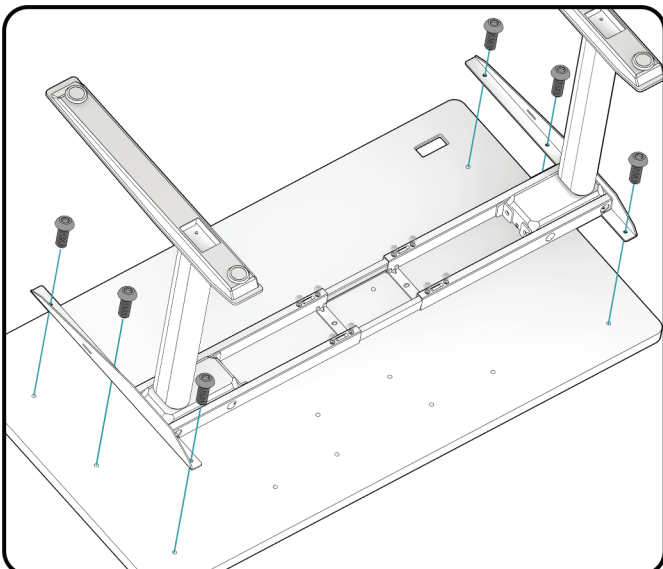


**2.**

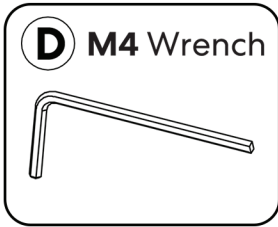
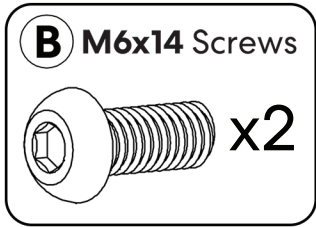
- With 2 people, position the **Frame** on the **Desktop**, align the **Side Bracket** holes with the **Desktop** holes



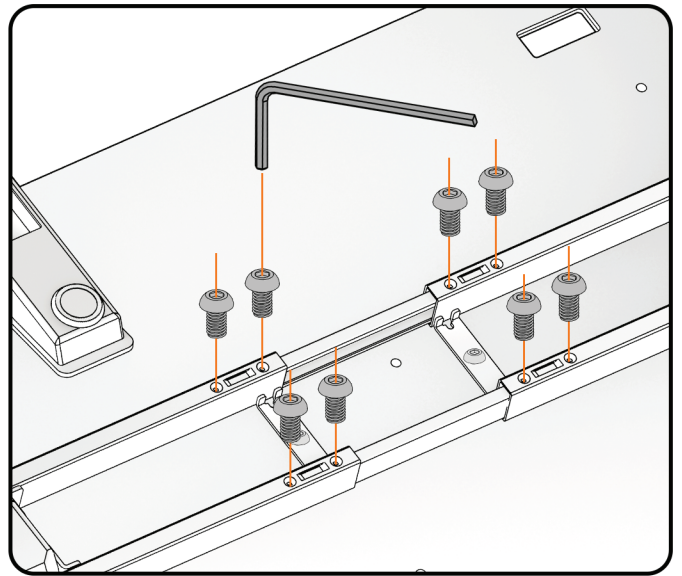
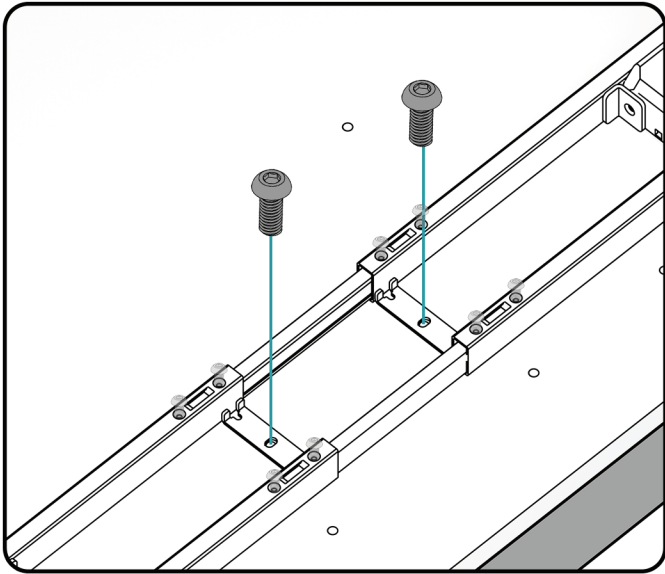
3. Insert 6 screws **B**



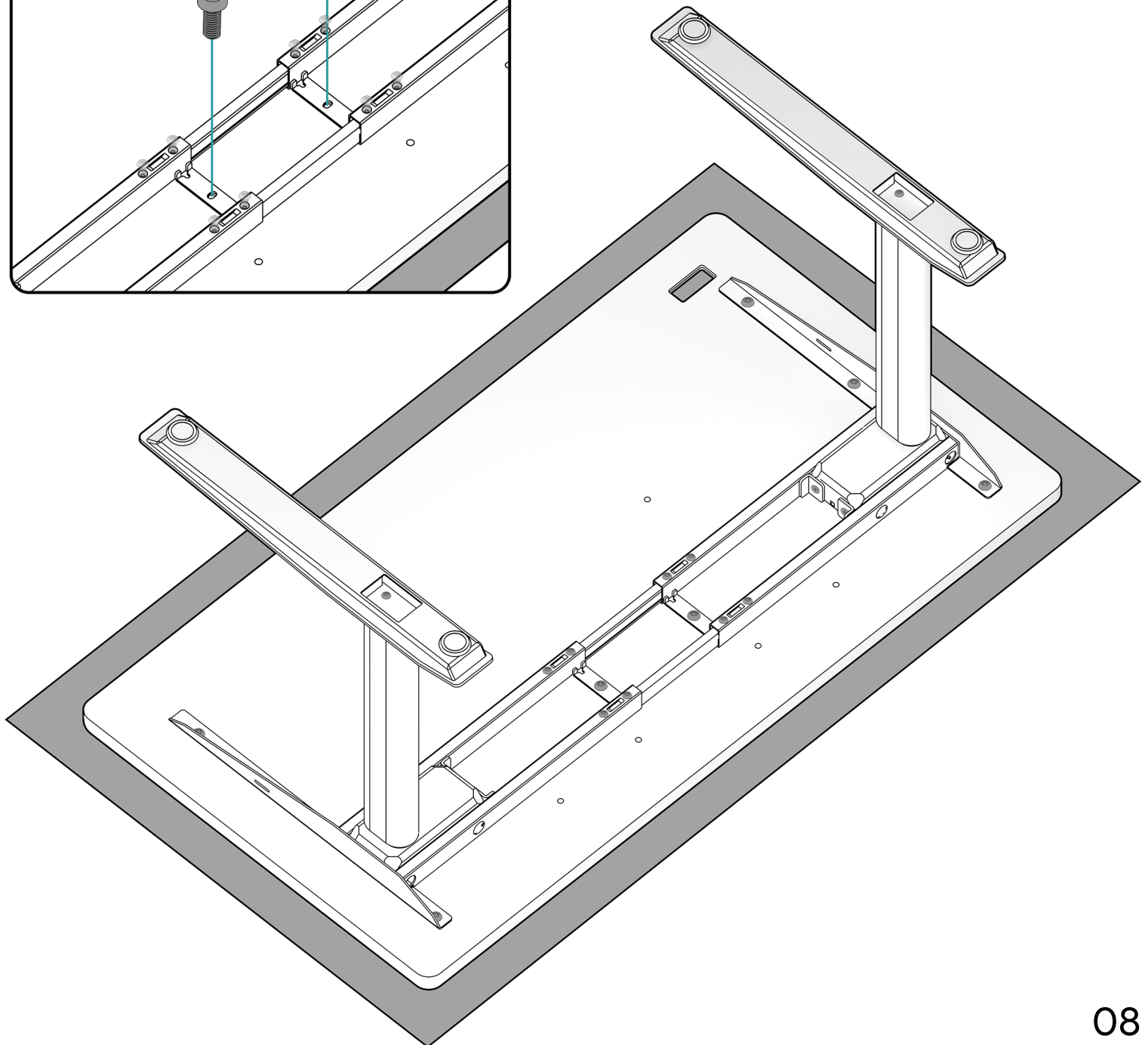
# FRAME INSTALLATION



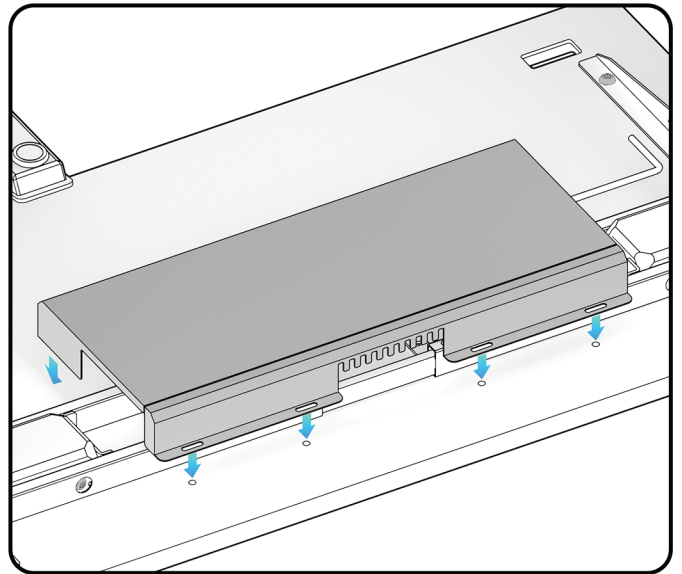
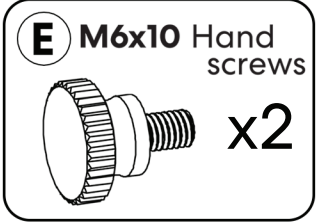
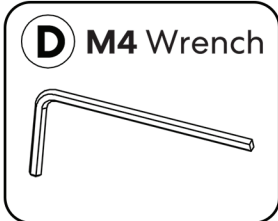
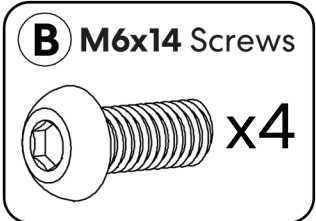
**1.** Insert 2 screws **B**



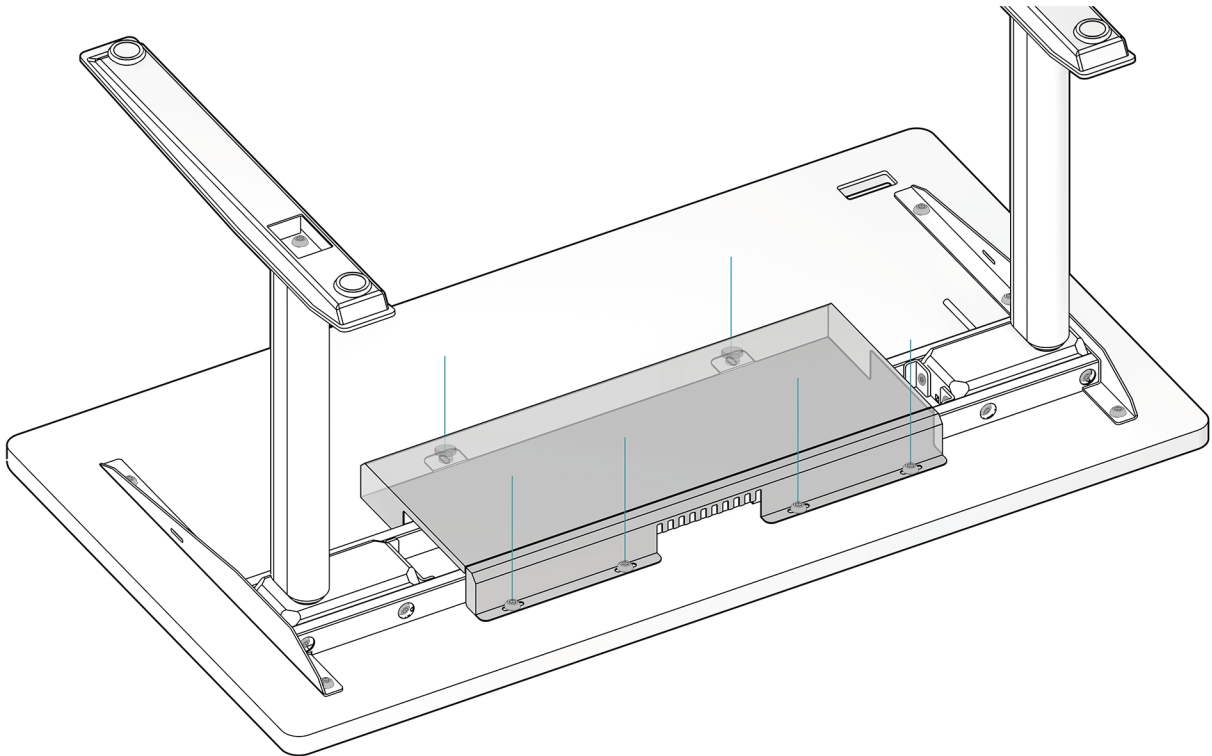
**2.** Tighten 8 screws **A**



# CABLE TRAY ASSEMBLY

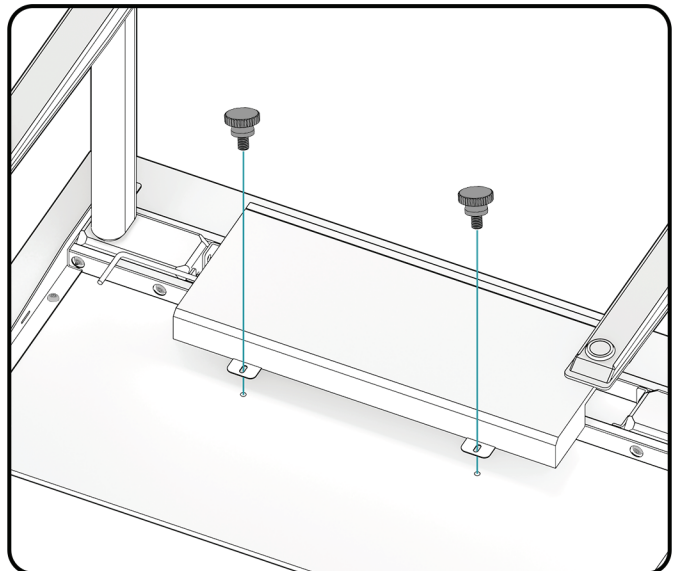
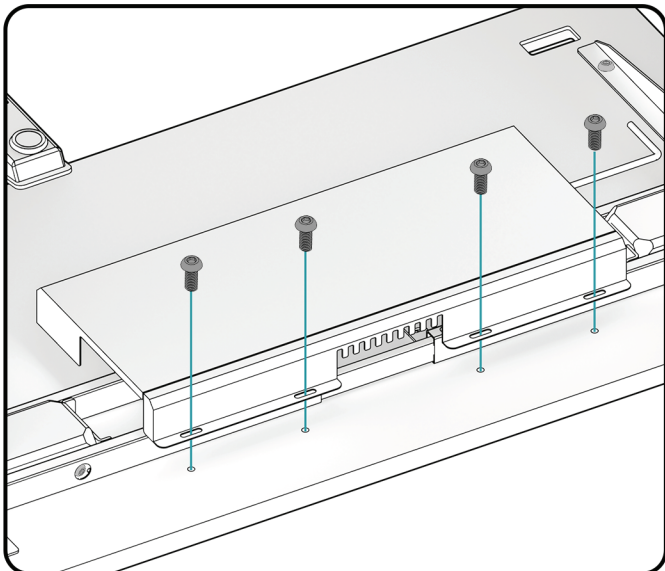


**1.** Assemble the **Cable Tray** to the **Desktop**



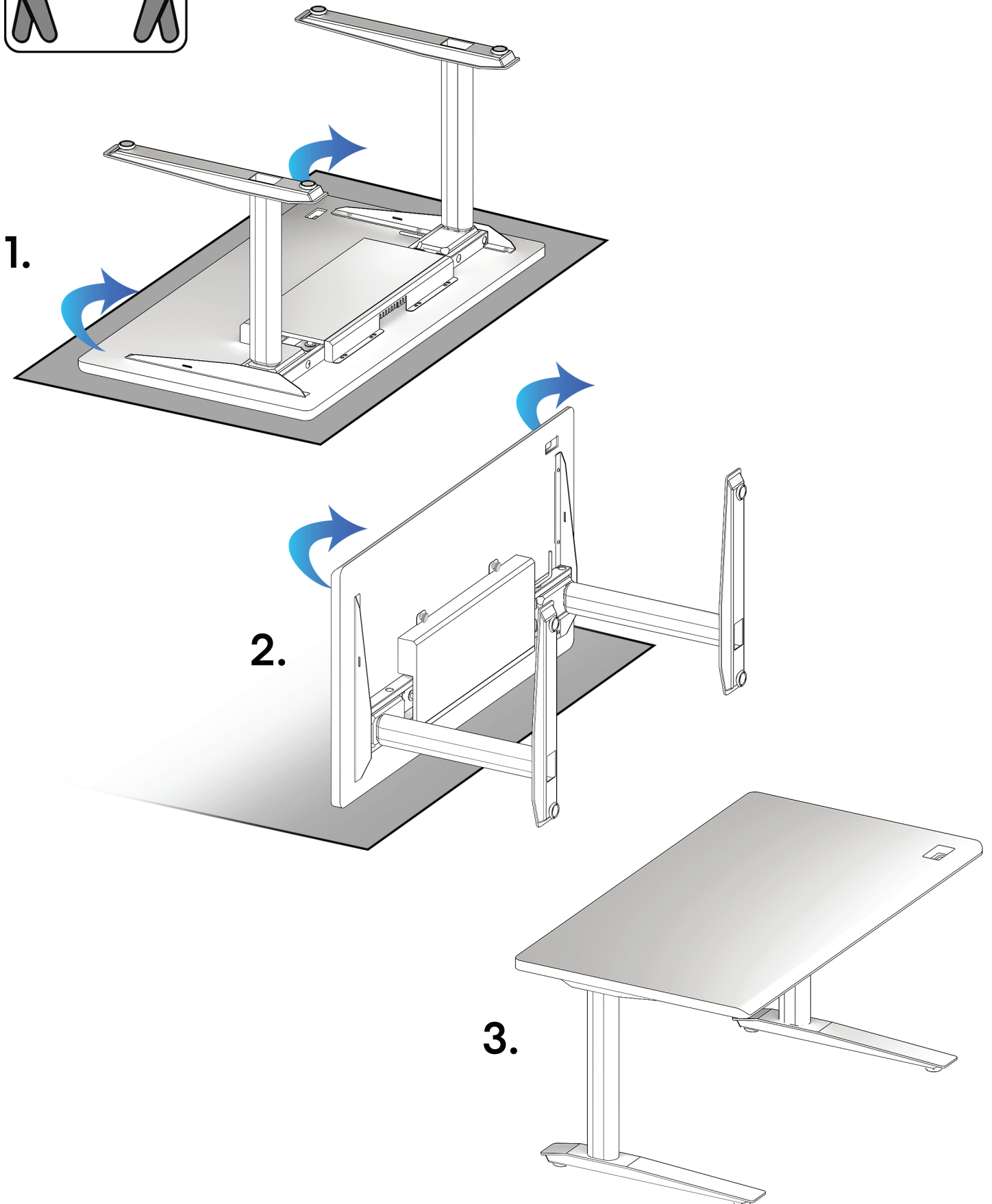
**2.** Insert 4 screws **B**

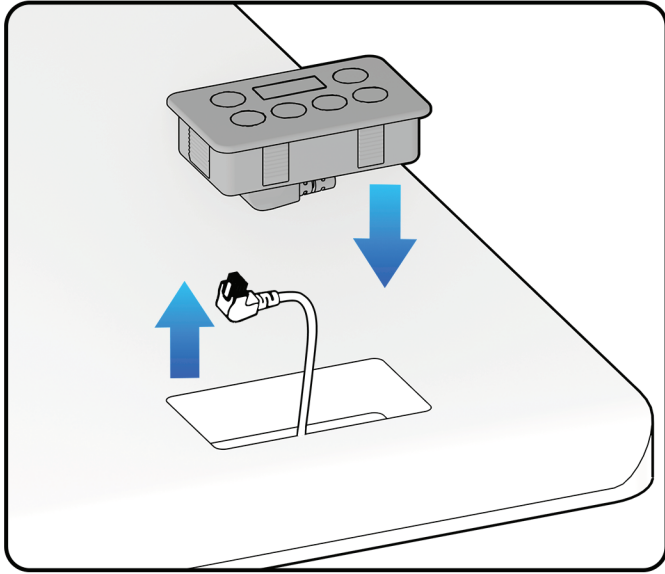
**3.** Insert 2 hand screws **E**



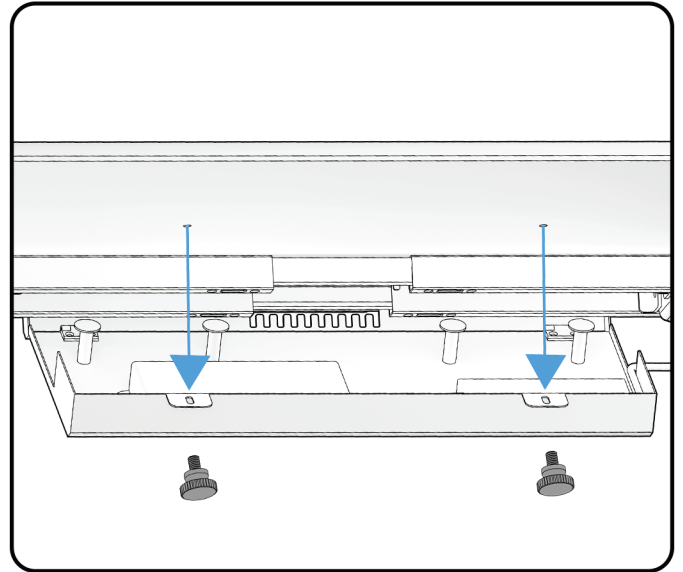


Note: Make sure all screws are tight, then flip upright. Keep the **Foam Pad** under the **Desktop** during flipping to prevent scratches.



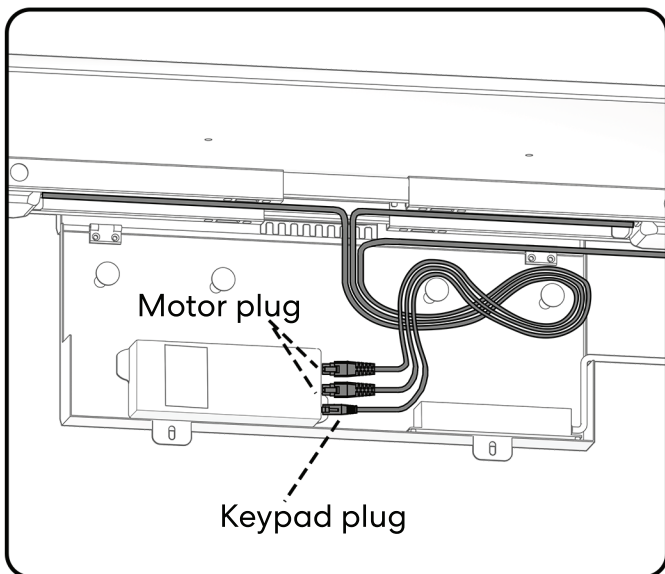


1. Route the **Keypad Cable** through the **Desktop**

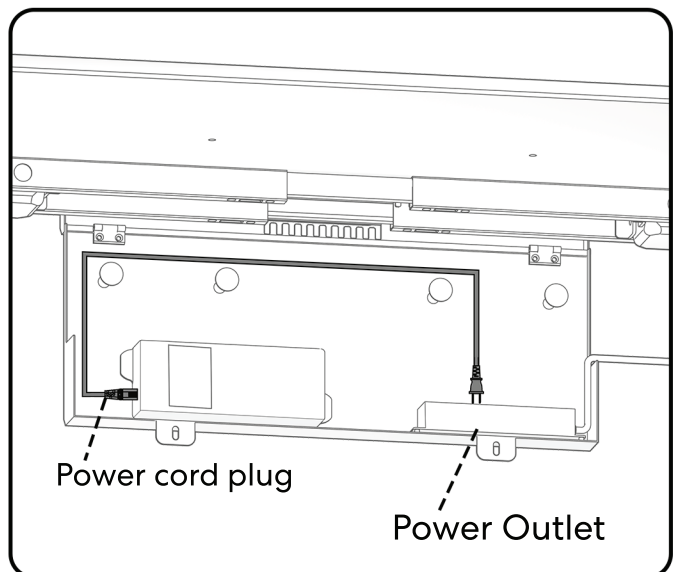


2. Turn 2 hand screws to release the **Cable Tray**

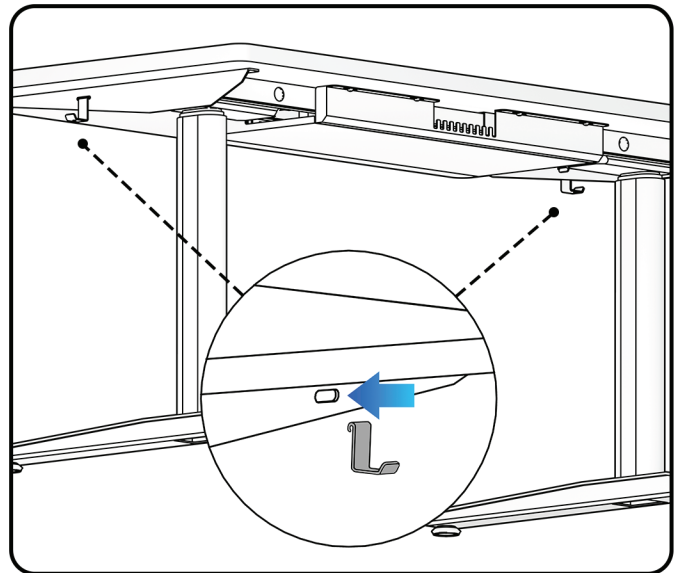
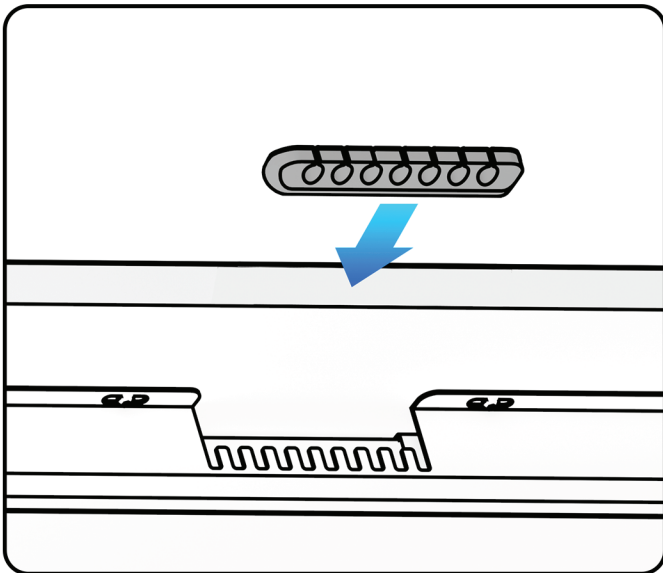
3. Plug **Motor & Keypad Cords** into the **Control Box** & secure them with the cable winders



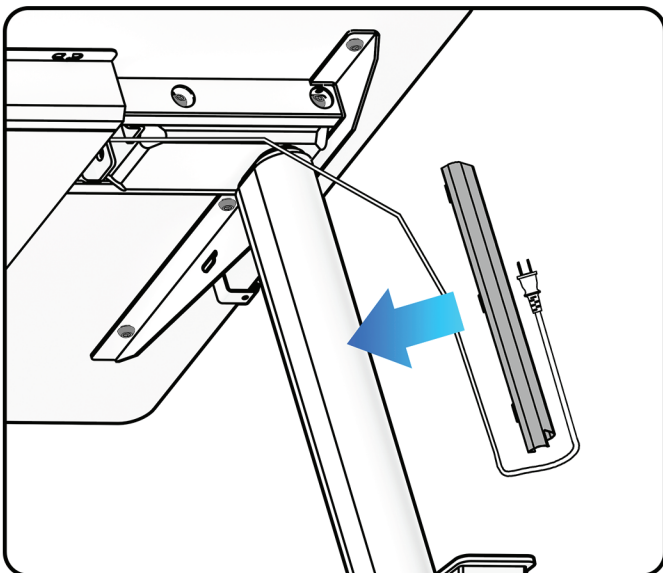
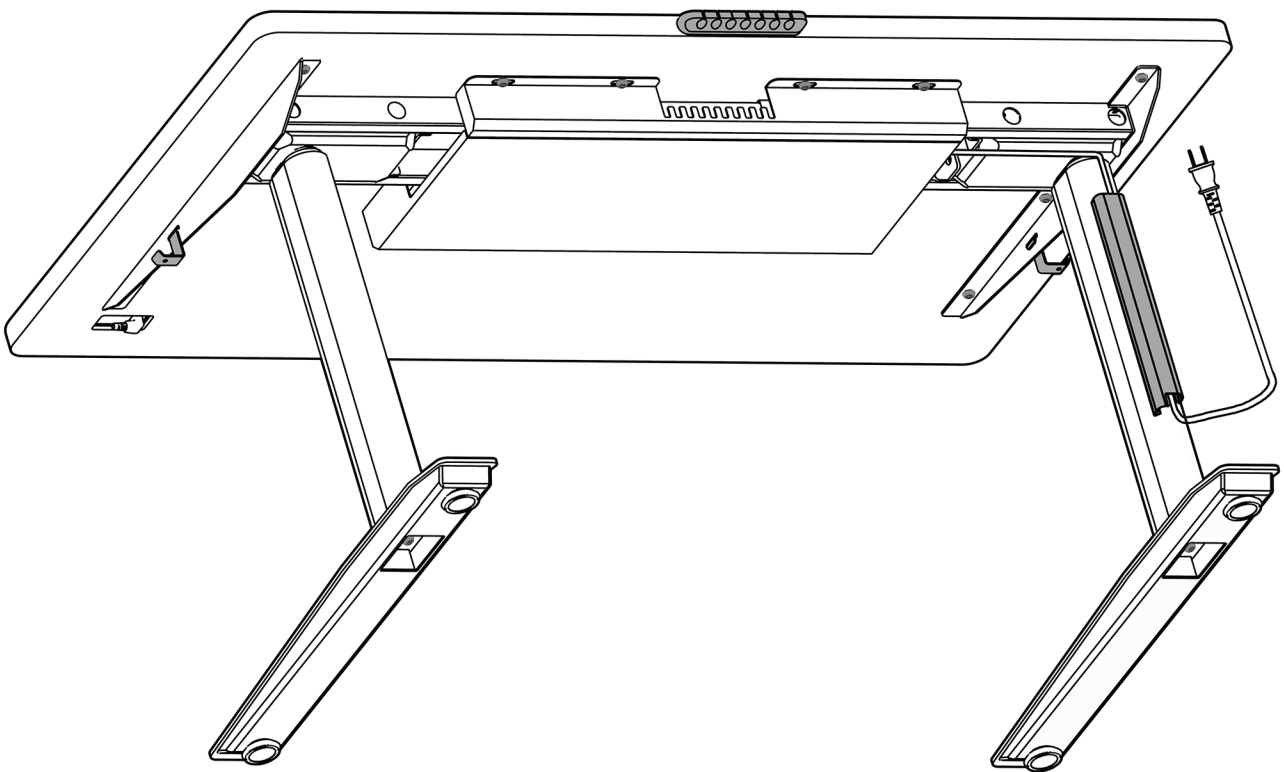
4. Plug the power cord into the **Outlet** & secure it with the winders



# ACCESSORY INSTALLATION





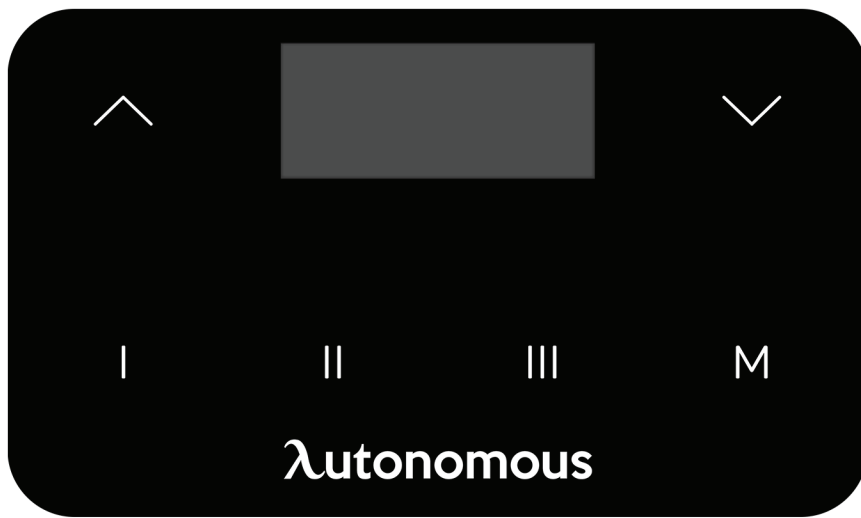
**1.** Attach the **Cable Organizer** to the **Desktop** & **Hooks** to the **Side Brackets**

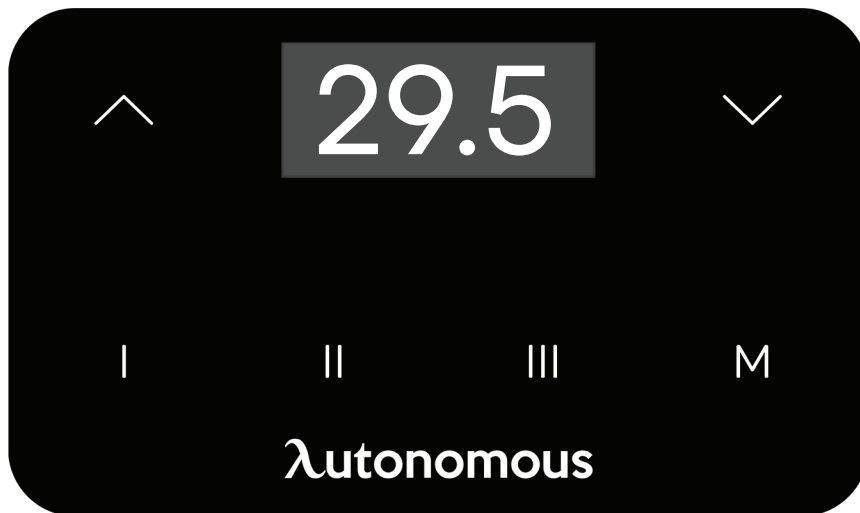


**2.** Attach the **Upper Tube** to a **Column**



*Note: The **Power Cord** should be put through the **Upper Tube** before attaching*

1. Press & hold  +  for 3 seconds
2. Release when there is a "beep" sound to complete reset.





1. Press  or  to adjust the height

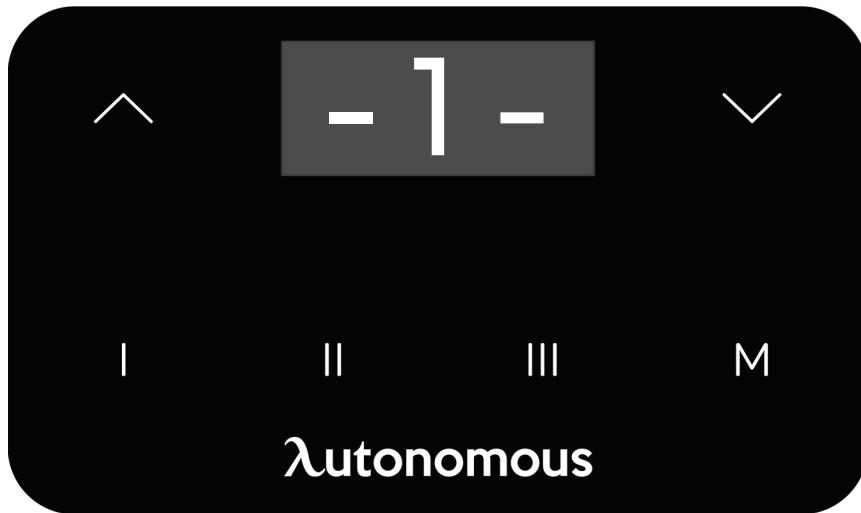
2. Press and hold  for 3 seconds until the display flashes, then press the memory ,  or  to save





3. Press ,  or  to move the desk to the saved height



# ANTI-COLLISION LEVEL SETTINGS

The Anti-collision setting prevents damage and accidents by stopping the desk if it hits something, becomes uneven, or tilts.



1. Press & hold  +  for 5 seconds to enter setting mode
2. Press  or  to adjust sensitivity. For the smoothest operation, we recommend setting the anti-collision back to level 1.
3. Wait for 5 seconds to save

Any questions?

Chat with our Customer Support team at  
**[www.autonomous.ai/help-center](http://www.autonomous.ai/help-center)**

We're here to help!