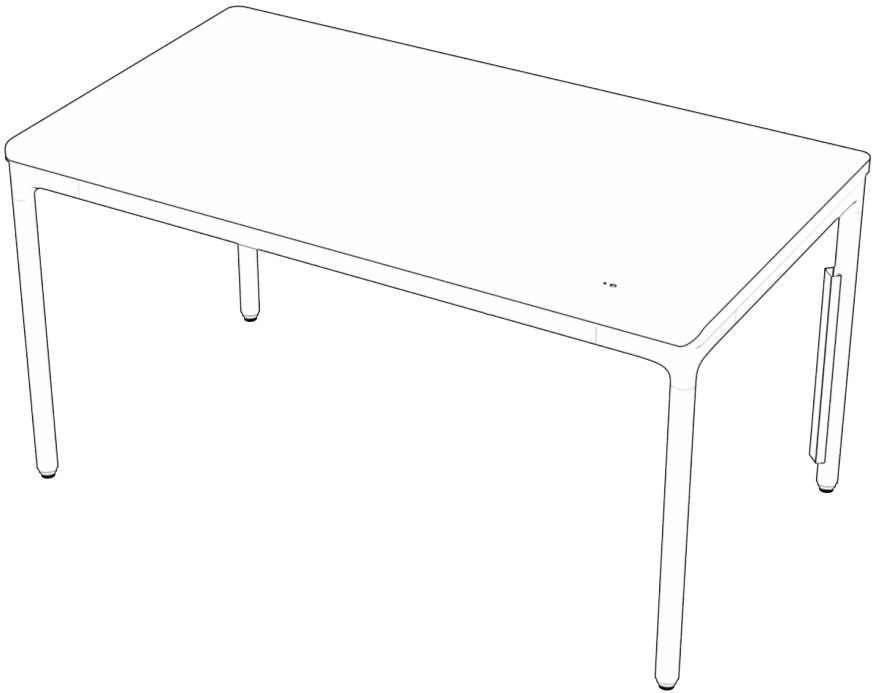


Autonomous

SmartDesk Levitate 2

Assembly Guide



Caution

1. Safety reminders

To ensure everyone's safety, please keep children, pets, and others away from the product while in use.

2. Powering down

When not using the product for long periods of time or during a lightning storm, please unplug the power supply to avoid any accidents.

3. Setting up your space

Place your desktop at a safe distance from walls to ensure proper ventilation and to prevent any damage.

4. Clear the way

Make sure the product is clear of obstacles during operation, and keep the area under the desktop clear of obstacles over 20 inches high.

5. Perfect environment

To keep your product running smoothly, please keep it in a room with a temperature between 0-40°C. Also, keep it away from corrosive substances and dusty objects.

6. Safety first

Please don't disassemble the product without permission, as this can cause malfunction or harm. Even with our safety features, please keep your hands and body parts in a safe position to avoid harm.

7. Getting started

Before using the product, carefully read the instructions for assembly. We want to make sure you have a great experience with our product!

8. Resetting the product

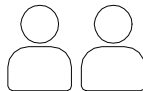
After first use or a power failure, you'll need to manually reset the product before using it again. Don't worry, it's easy!

* By following these simple guidelines, you'll be able to enjoy your product while staying safe and secure. Happy using!

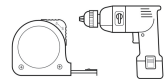
Assembly Time

45 min

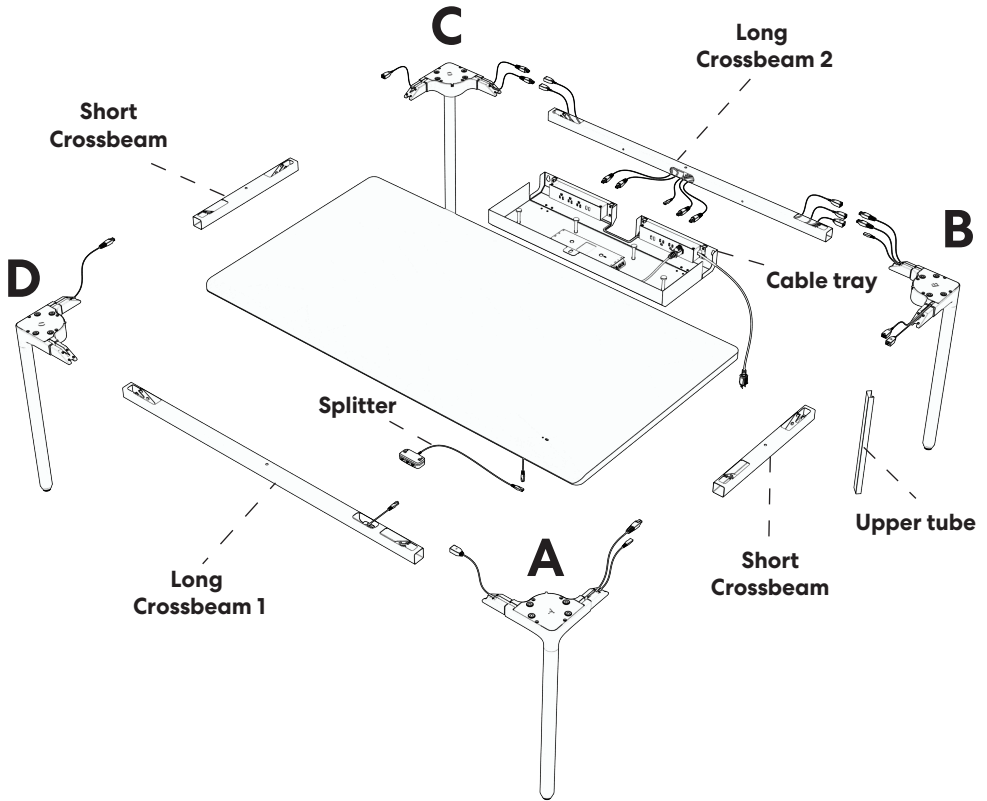
Self-assembly



Tools Needed



Parts included



A M5*10 Screws



B M6*10 Screws



C ST5*20 Screws



D ST4*20 Screws



E M6*10 Hand screws



F M4 Wrench



G M3 Wrench



H Zip Ties

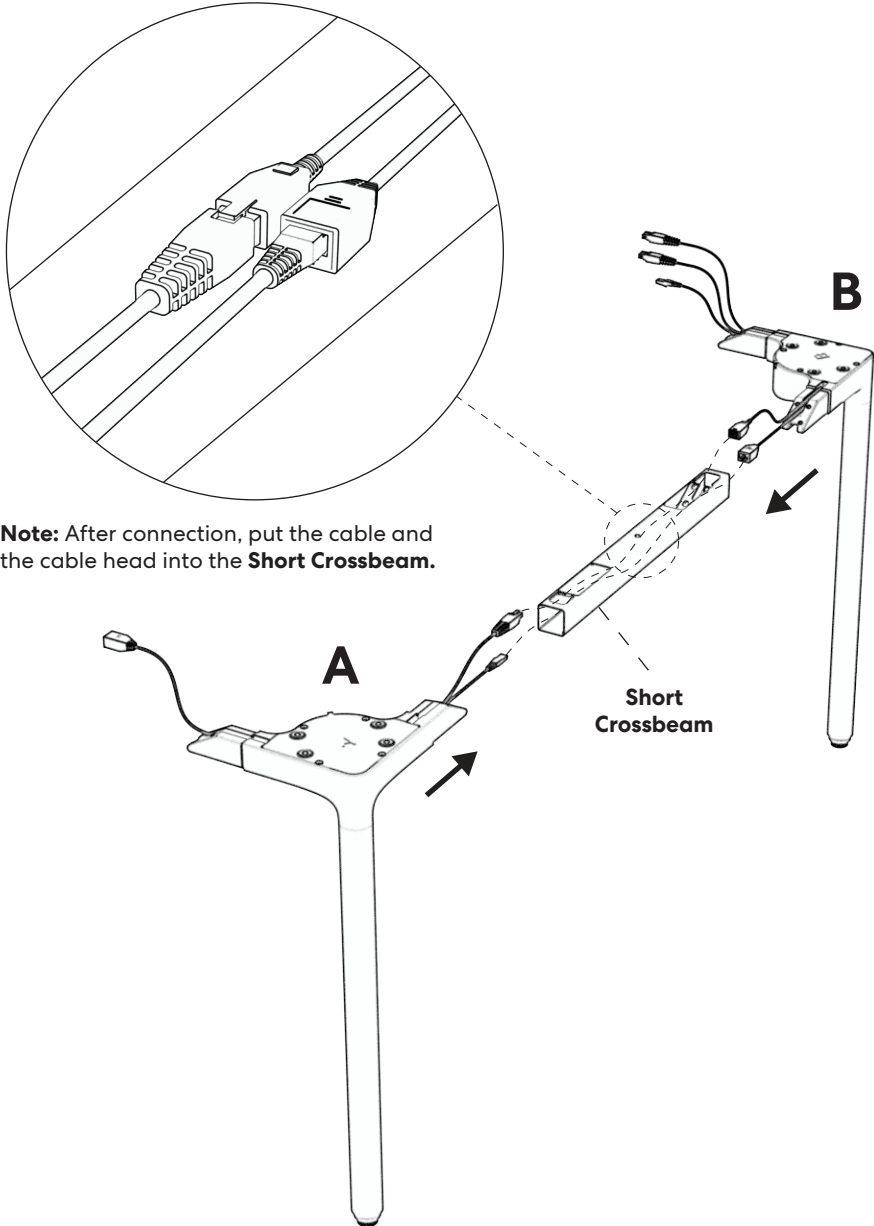


I Cable Organizer



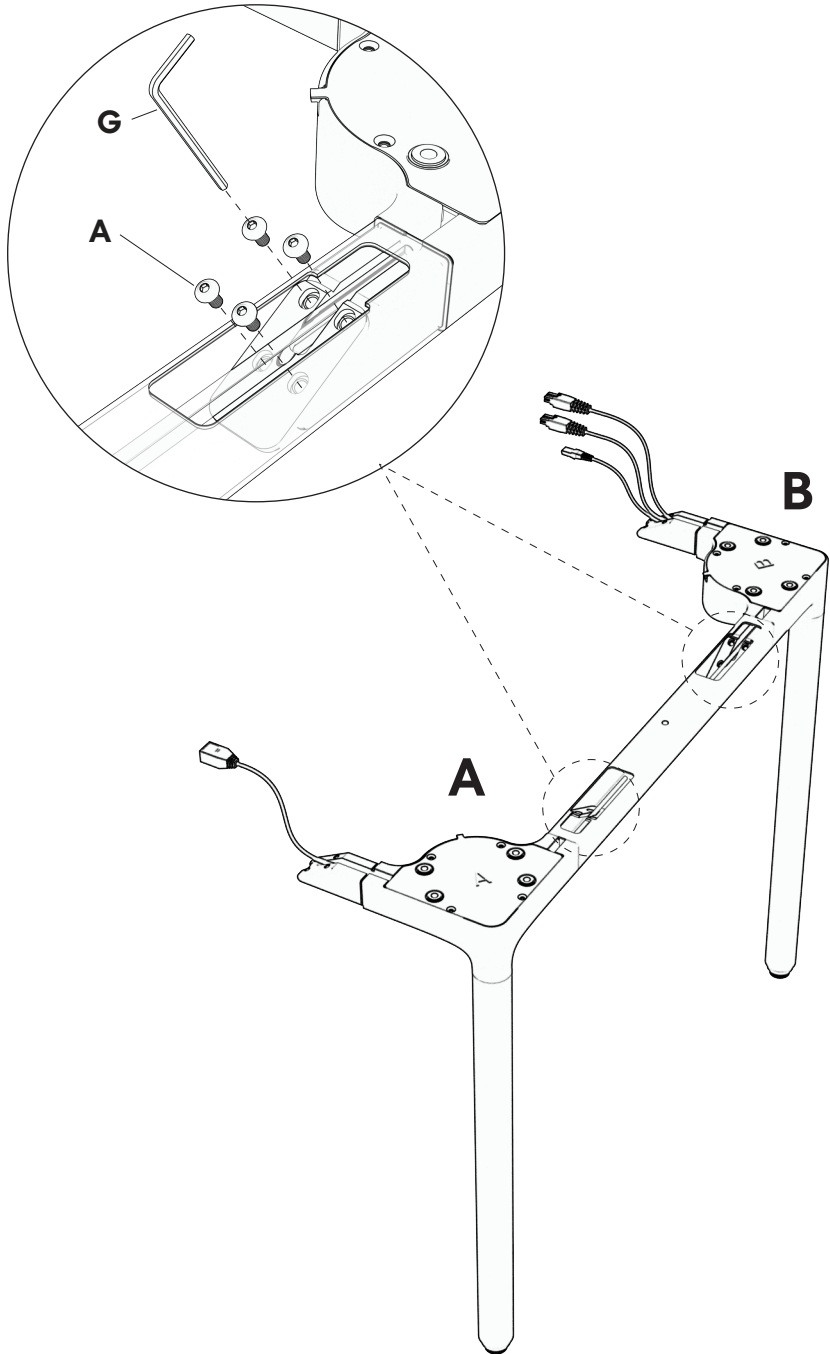
Installation Guide

Step 1 Connect the connectors on **Column A** to **Column B** through the **Short Crossbeam**.

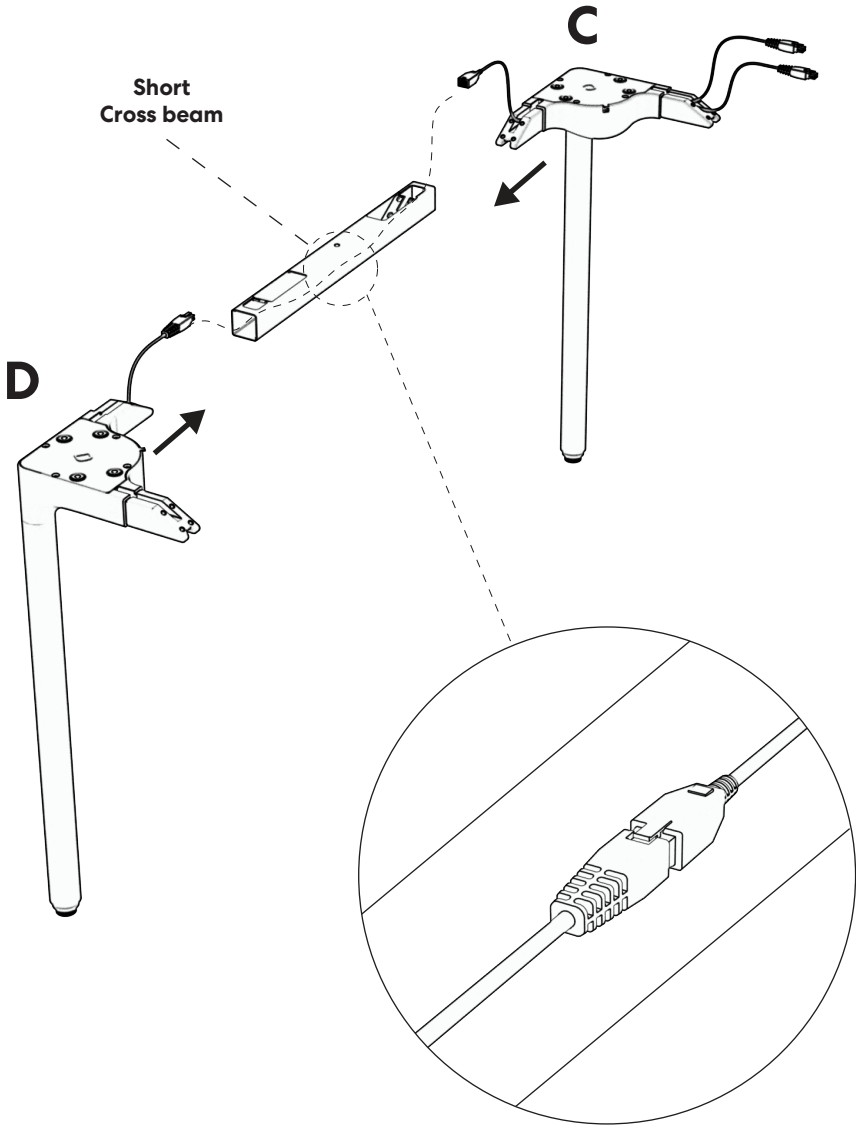


Note: After connection, put the cable and the cable head into the **Short Crossbeam**.

Step 2 Secure the connection using **A (M5*10)** screws, then tighten with **G (M3)** wrench.

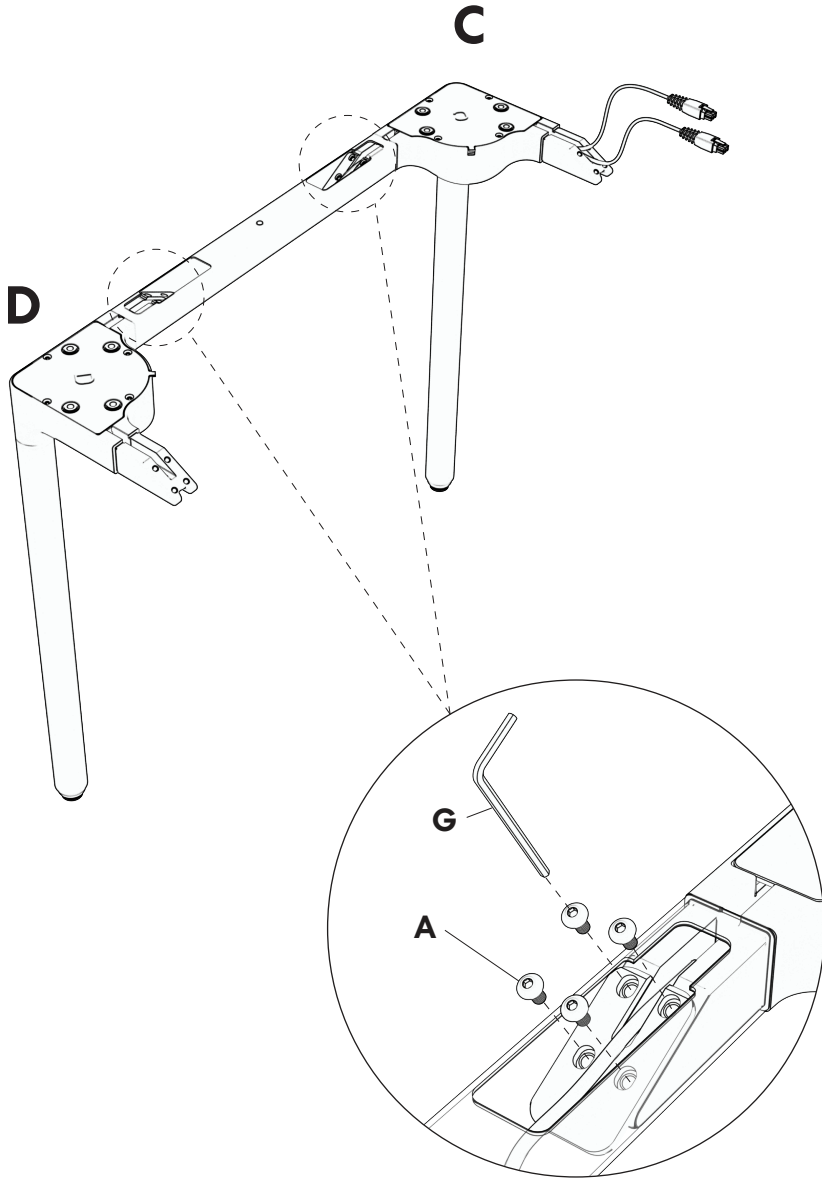


Step 3 Connect the connector on **Column C** to **Column D** through the **Short Crossbeam**.

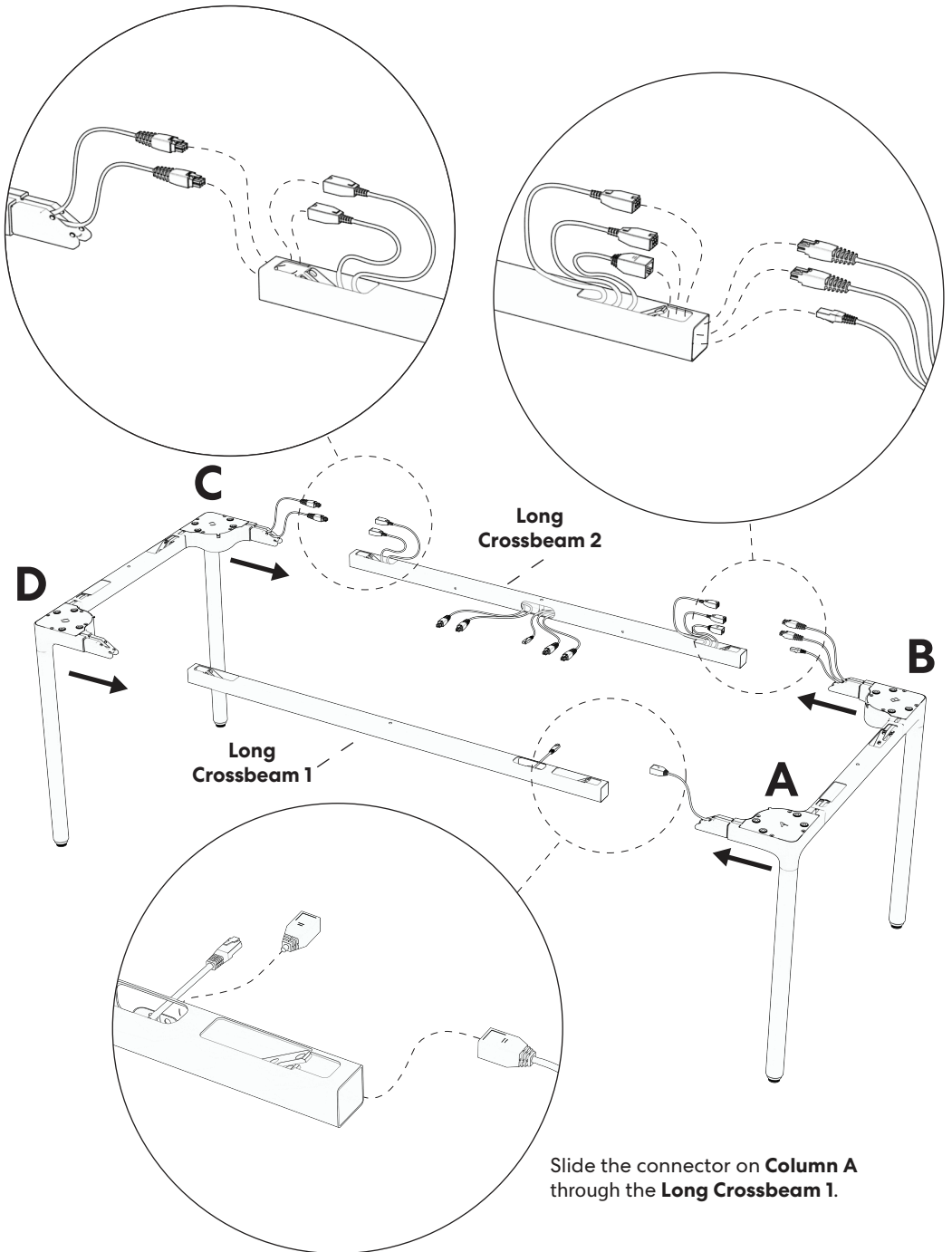


Note: After connection, put the cable and the cable head into the **Short Crossbeam**.

Step 4 Secure the connection using **A (M5*10)** screws, then tighten with **G (M3)** wrench.

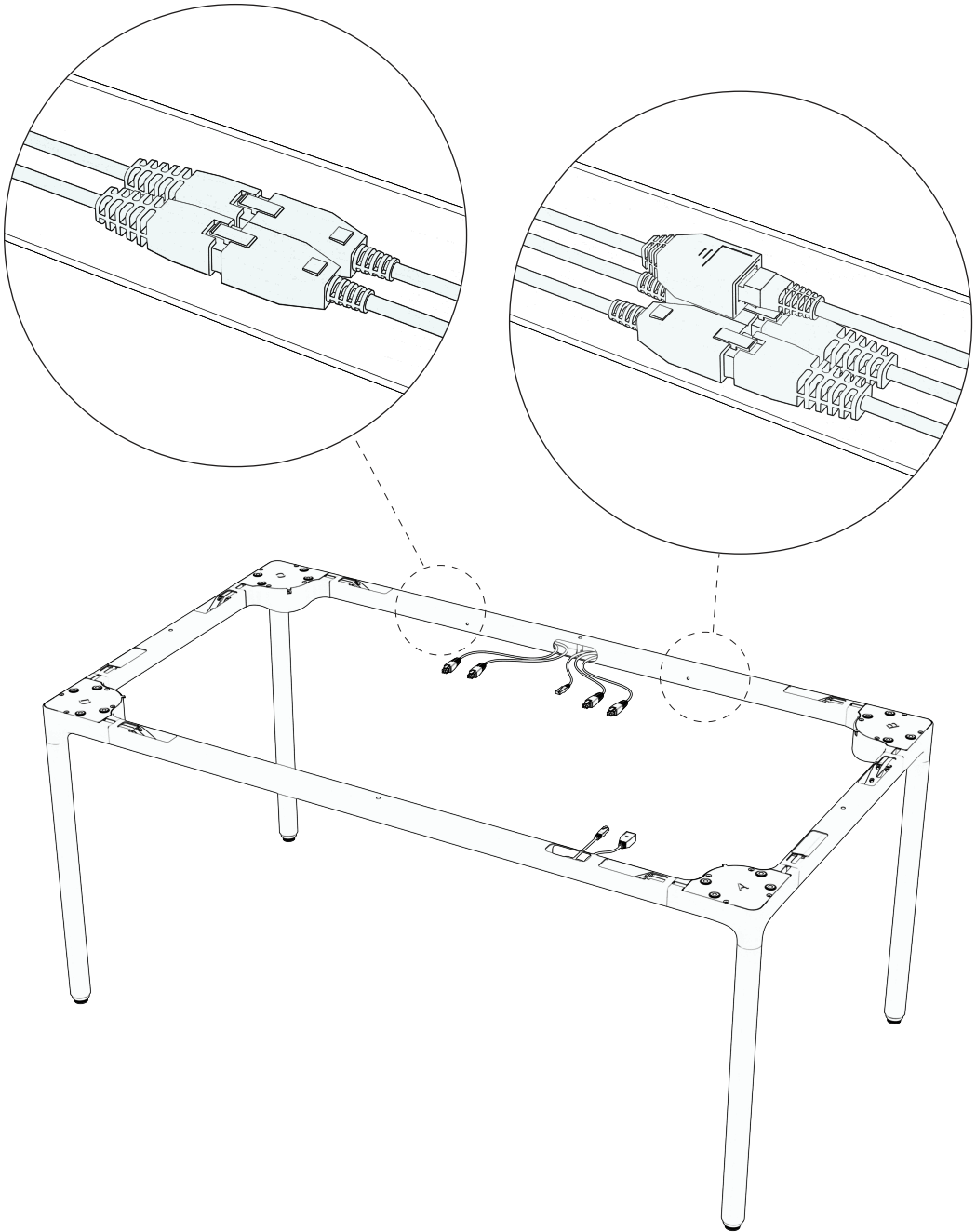


Step 5 Connect the connectors on **Column C** and **Column B** to the **Long Crossbeam 2**.

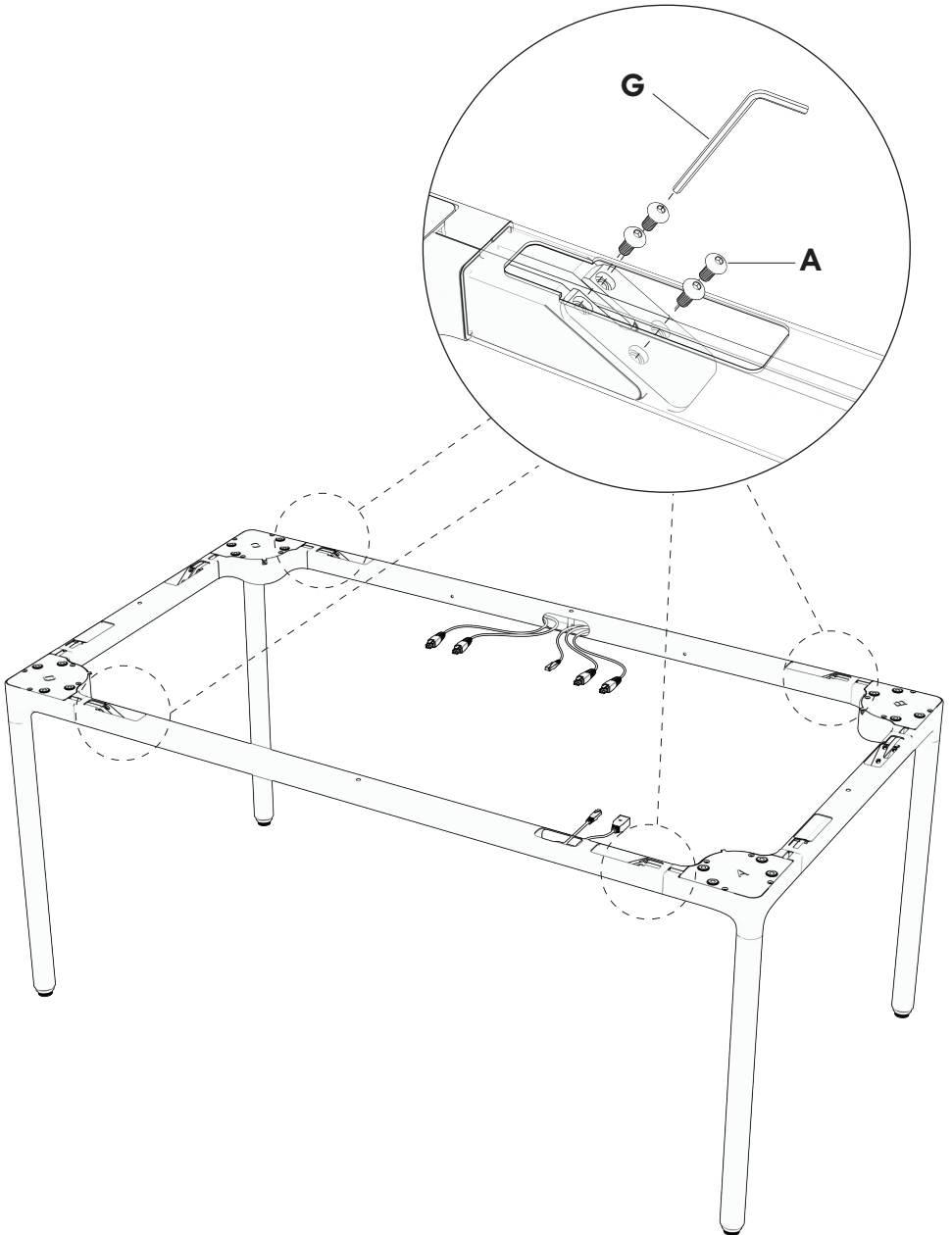


Slide the connector on **Column A** through the **Long Crossbeam 1**.

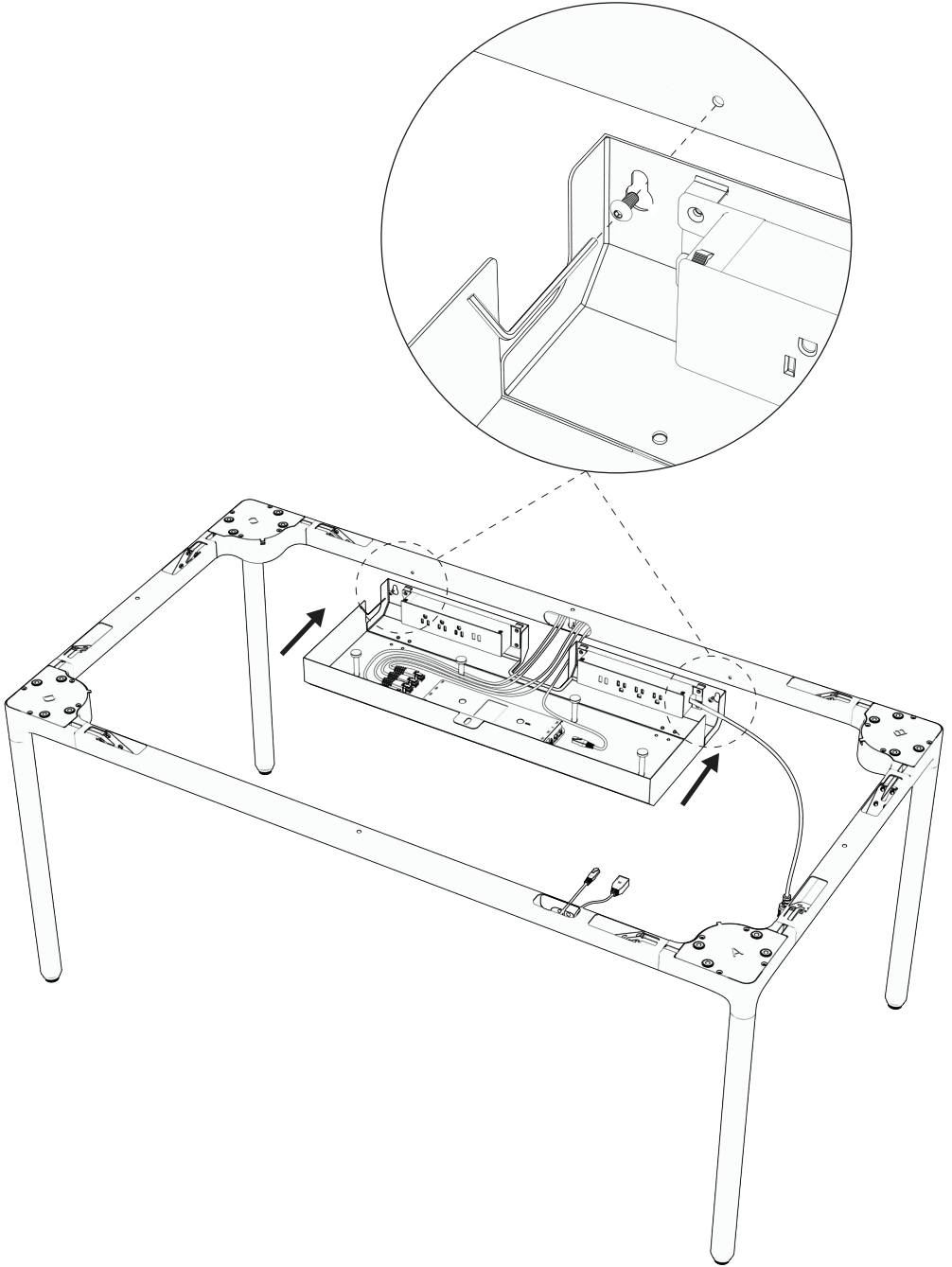
Note: After connection, put the cable and the cable head into the **Long Crossbeam 2**.



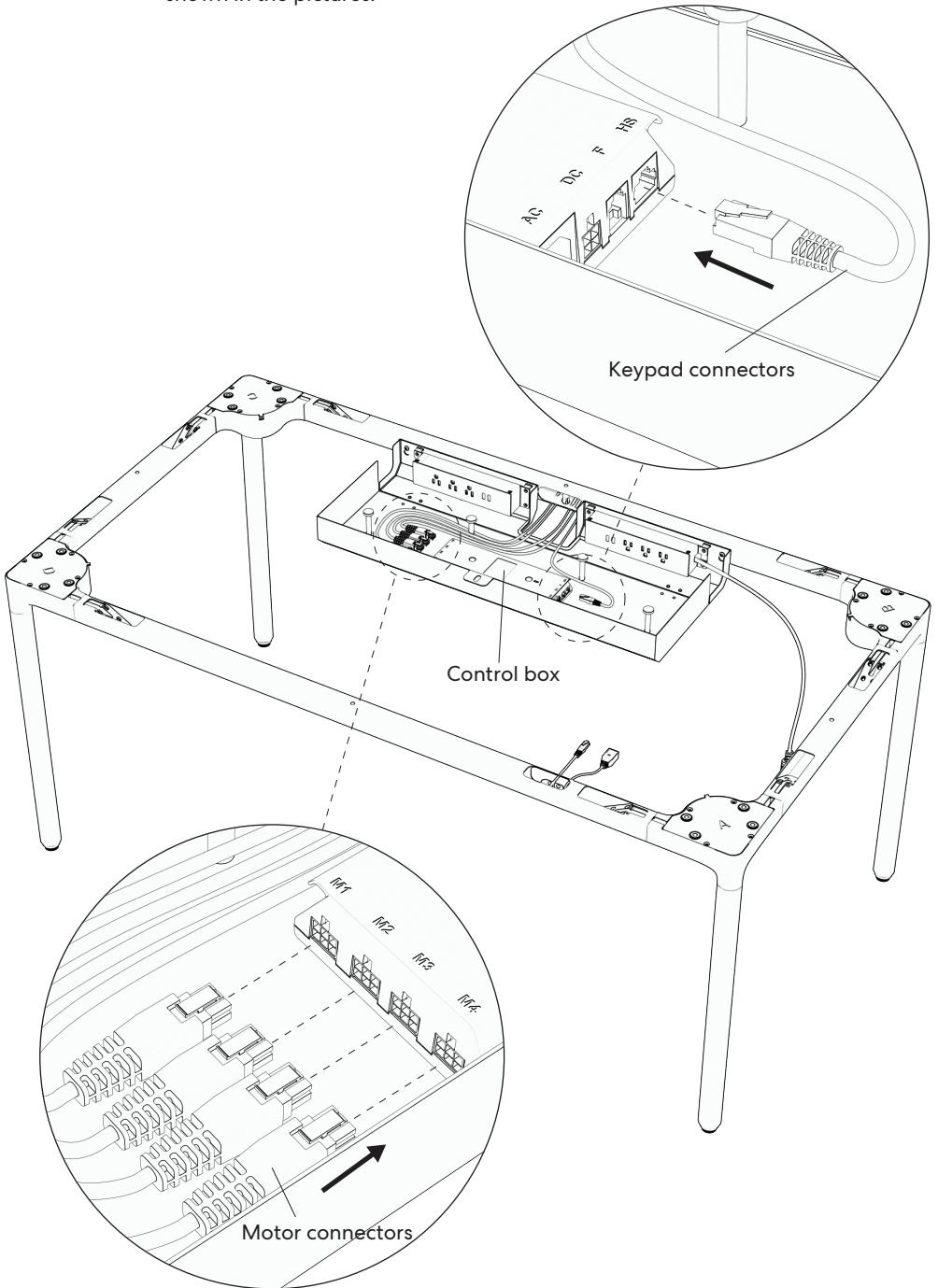
Step 6 Secure the connection using **A (M5*10)** screws, then tighten with **G (M3)** wrench.



Step 7 Assemble the **Cable Tray** with **B (M6*10)** screw and an **F (M4)** wrench to the **Long Crossbeam 2**.

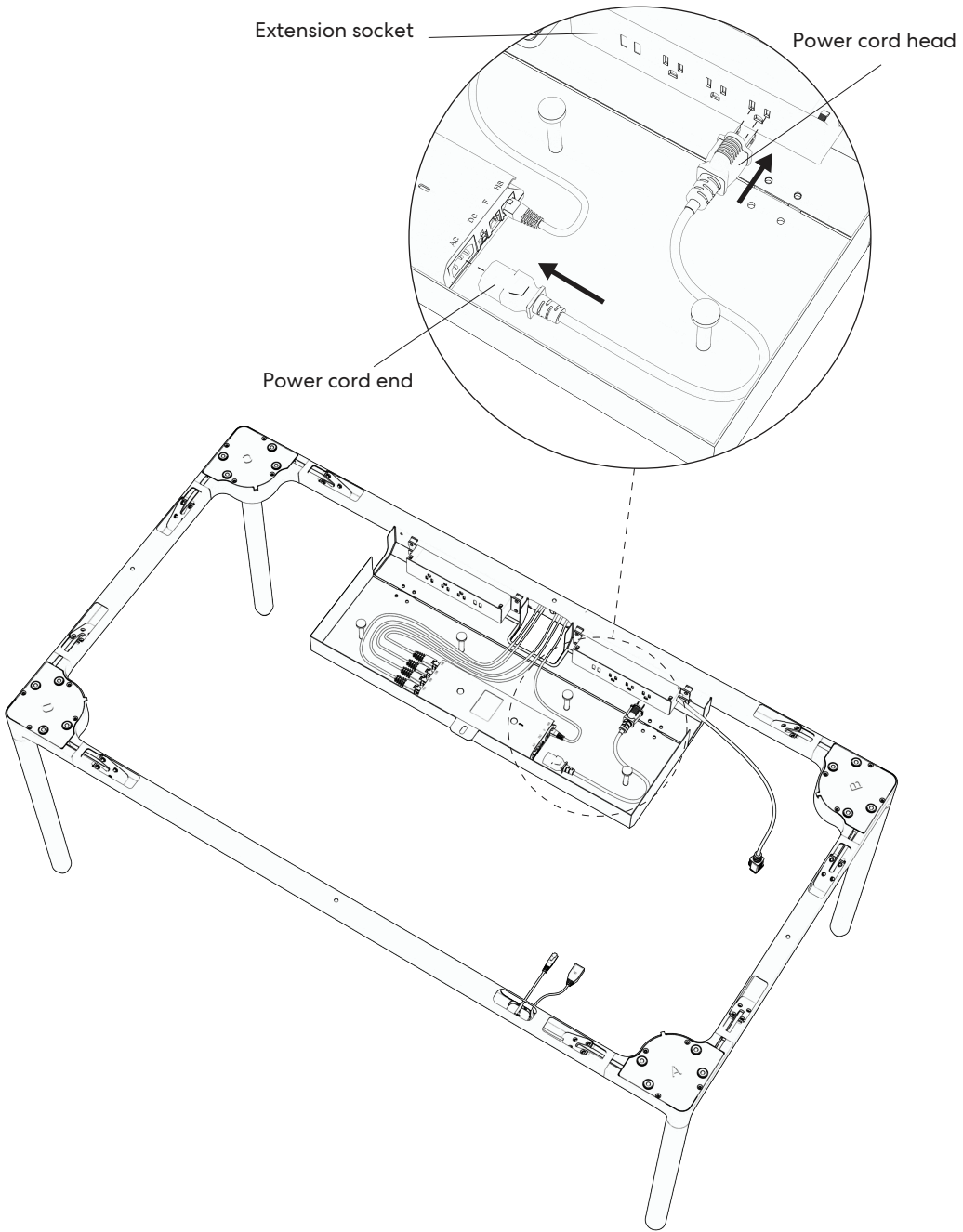


Step 8 Plug the **Motor connectors** and **Keypad connectors** into the **Control box** as shown in the pictures.

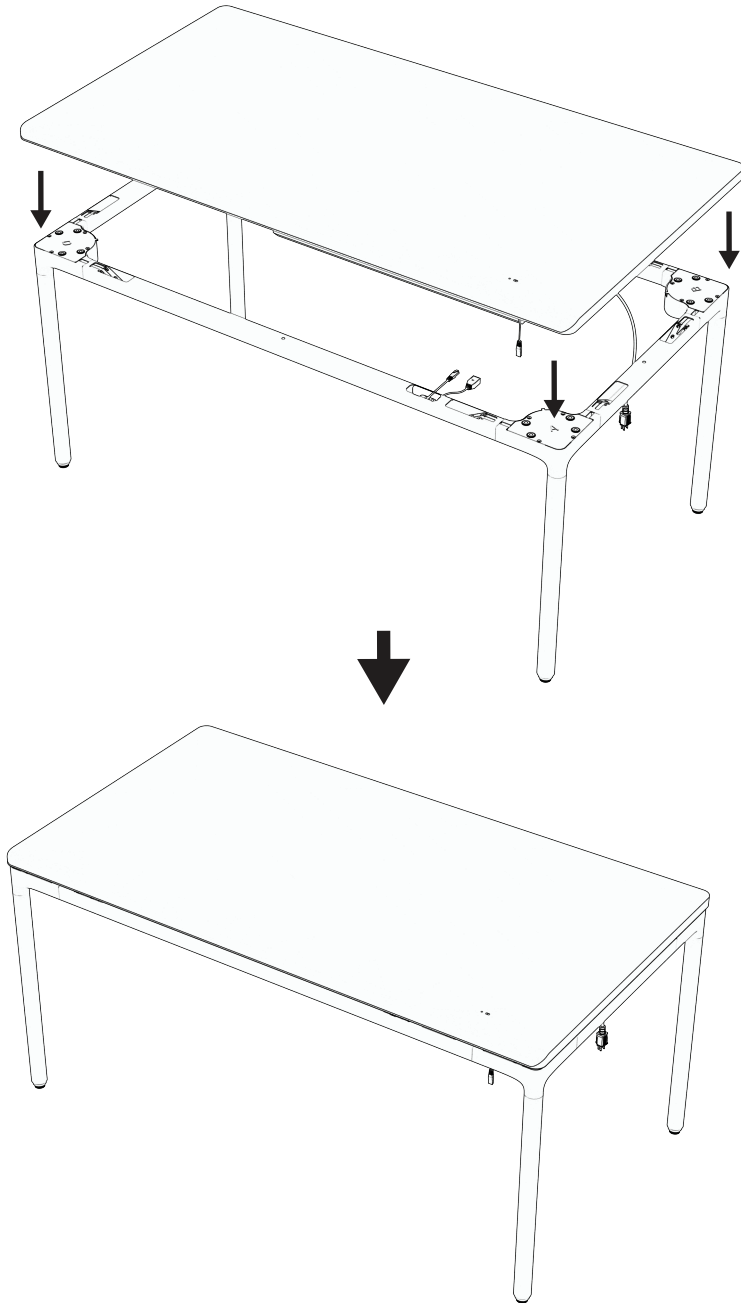


Step 9

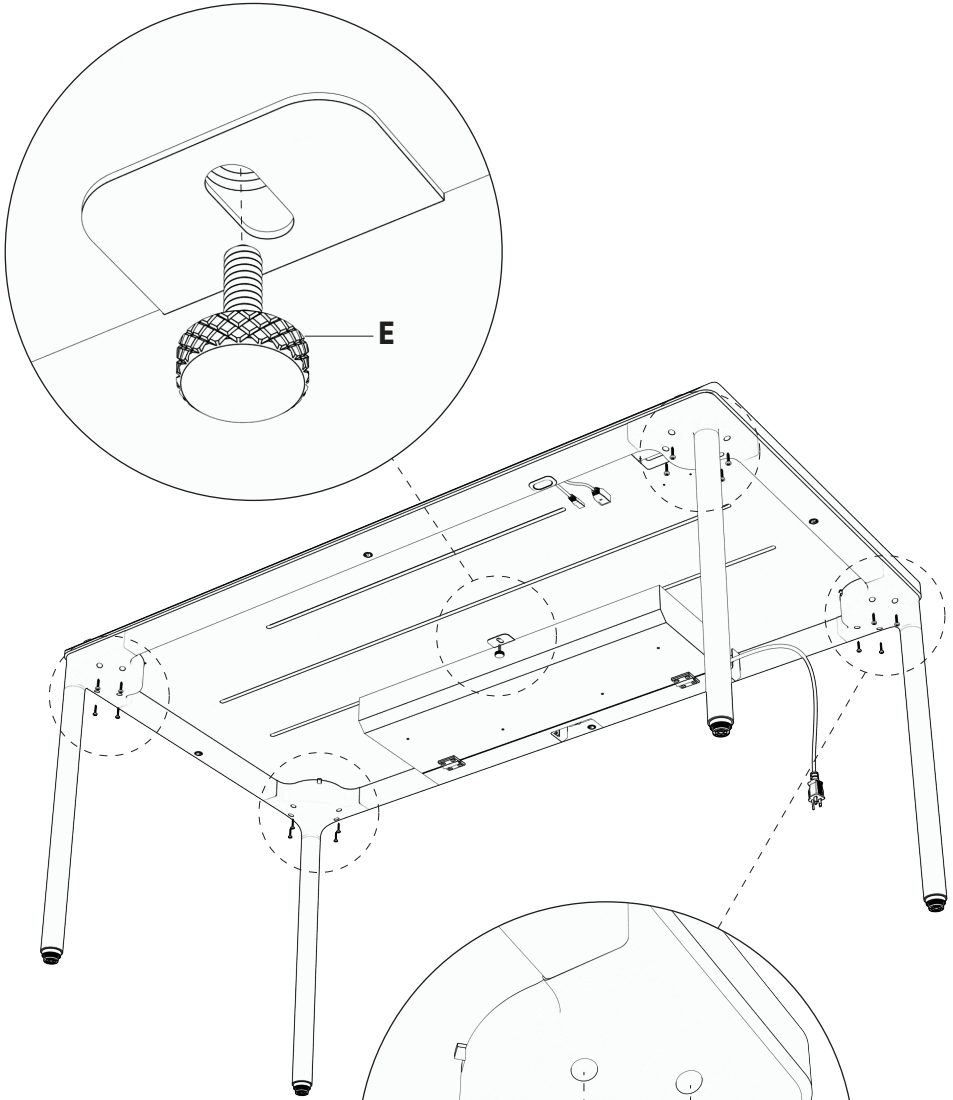
Plug the **Power cord end** into the **Control box** and plug the **Power cord head** into the **Extension socket** on the cable tray.



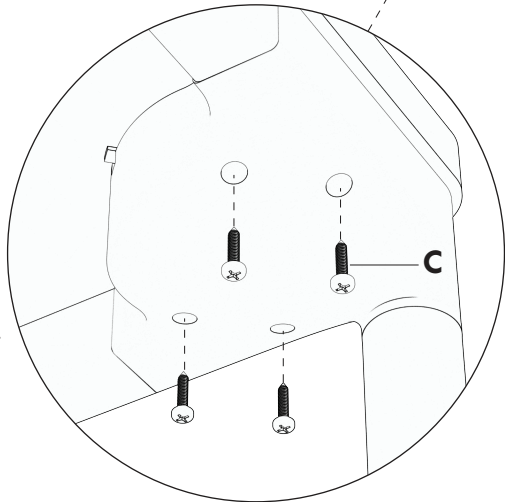
Step 10 Carefully place the desktop onto the frame as shown in the pictures.



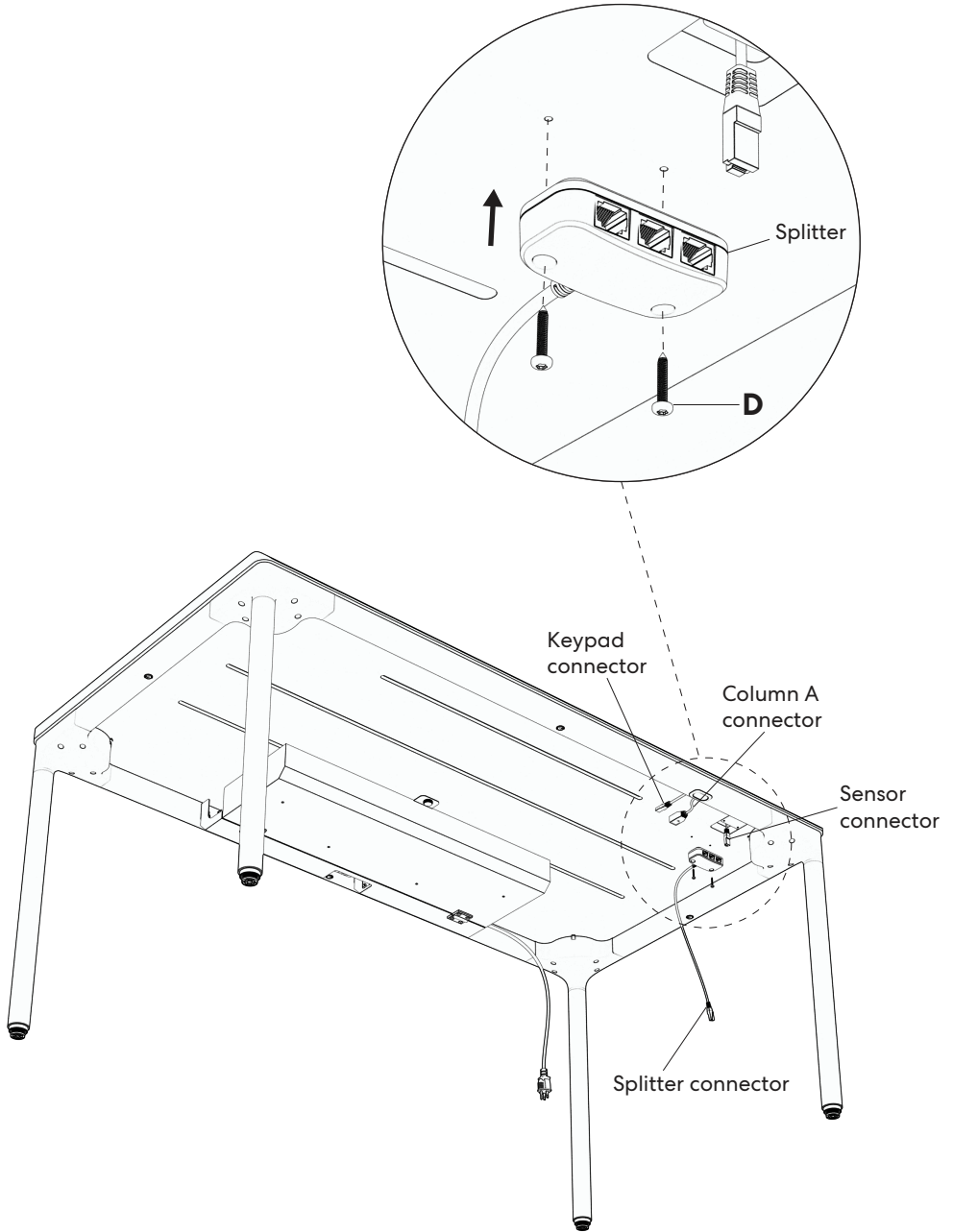
Step 11 Align the cable tray holes with the desktop threaded holes and tighten them well with the **E (M6*10)** Hand Screws



Align the frame column holes with the desktop holes and tighten them well with **C (ST5*20)**.

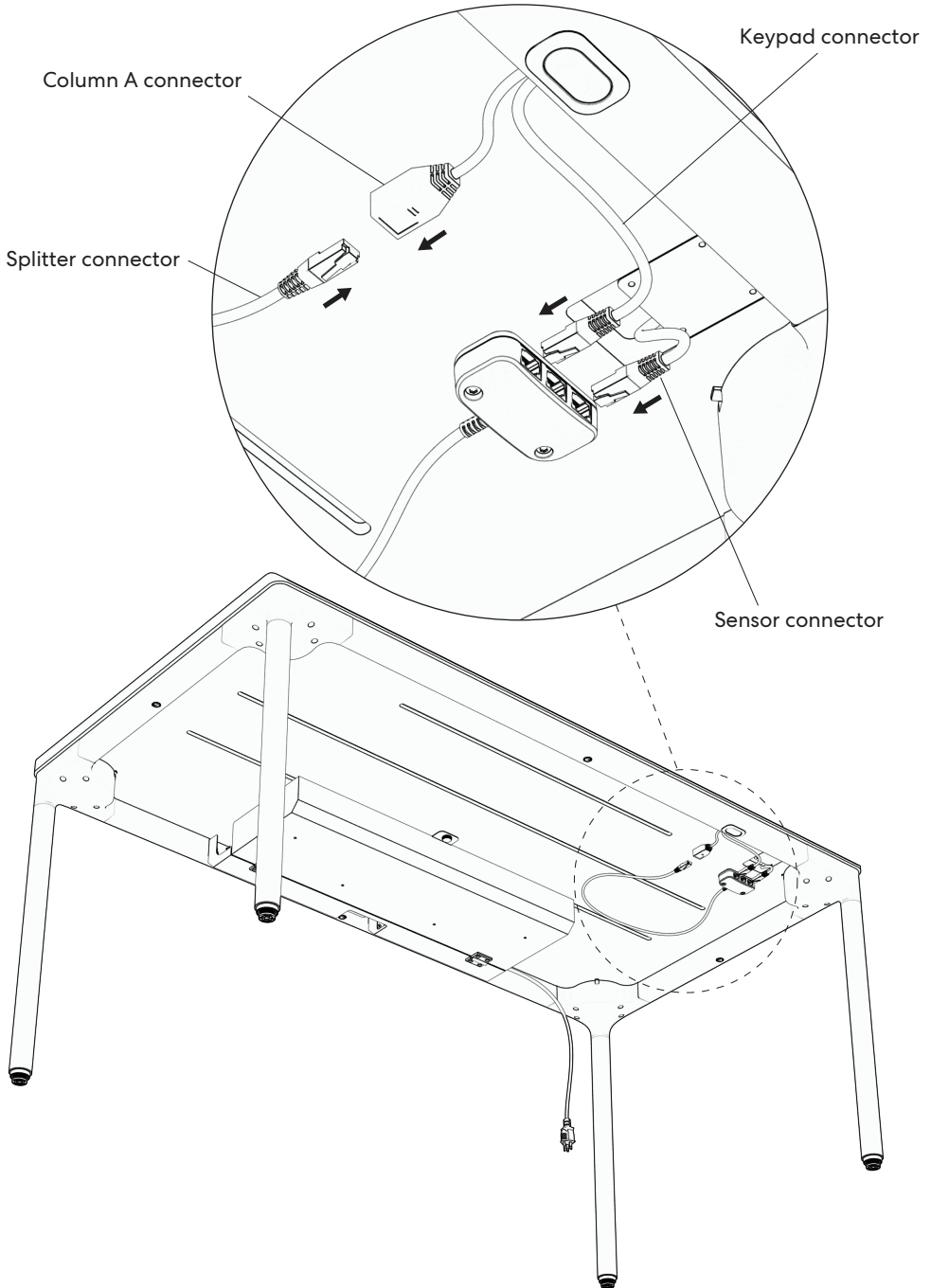


Step 12 Assemble the **Splitter** to desktop with **D (ST4*20)** screws.



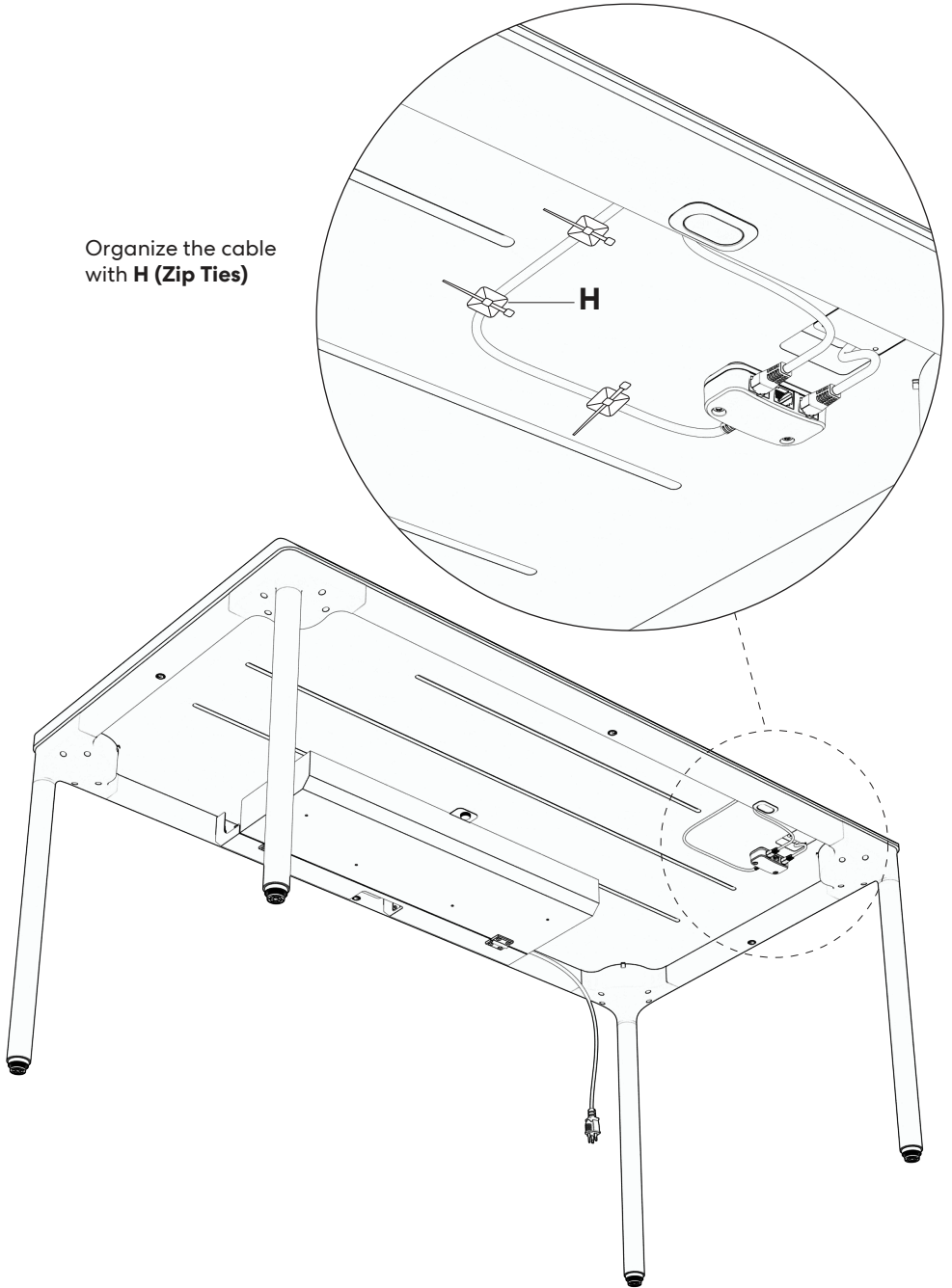
Step 13

Connect the **Splitter** connector to the **Column A** connector.
Connect both the **Keypad** connector and the **Sensor** connector to the **Splitter**.

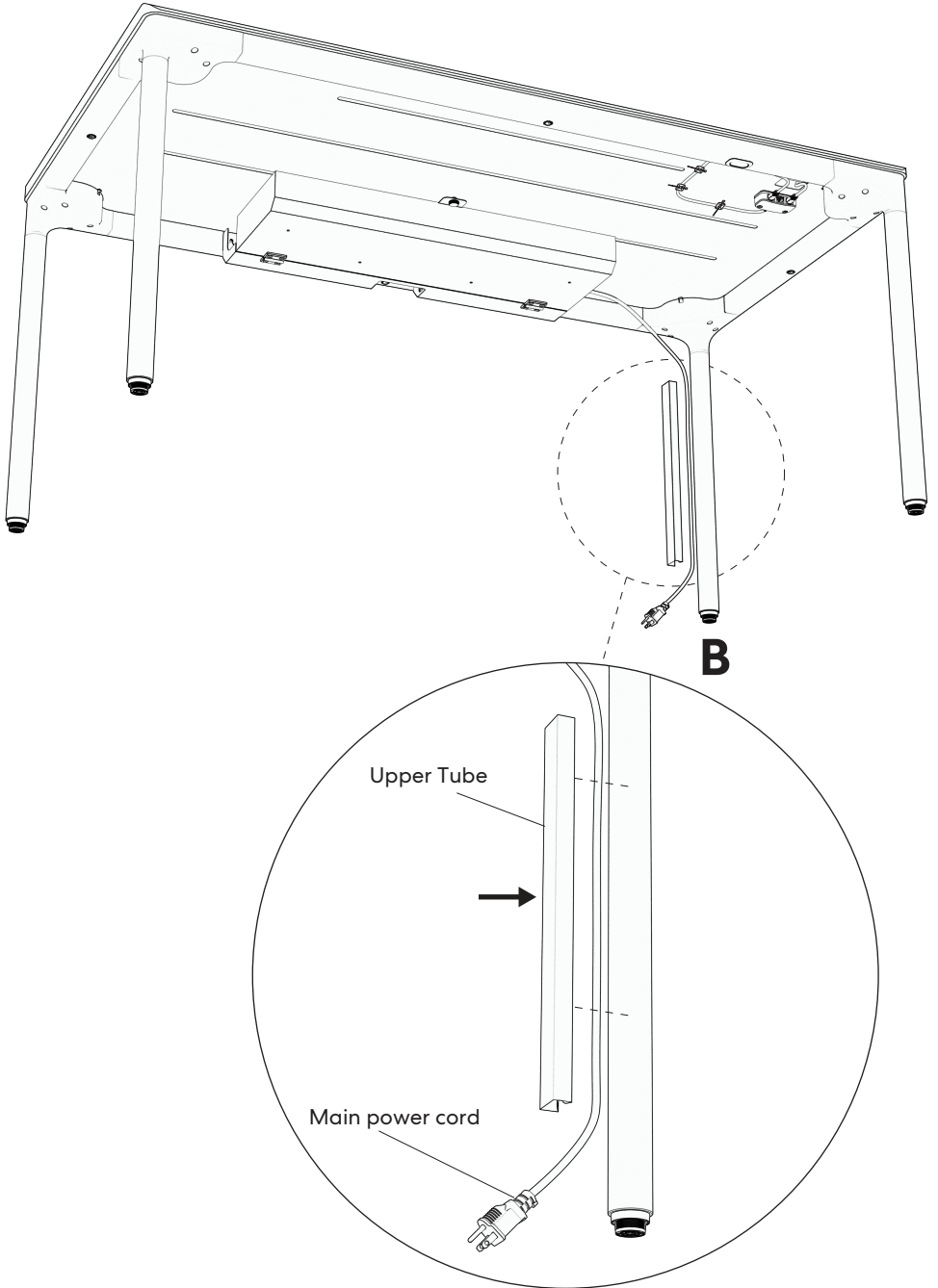


Step 14 After connection, put the **Splitter** cable into the **Long Crossbeam 1**.

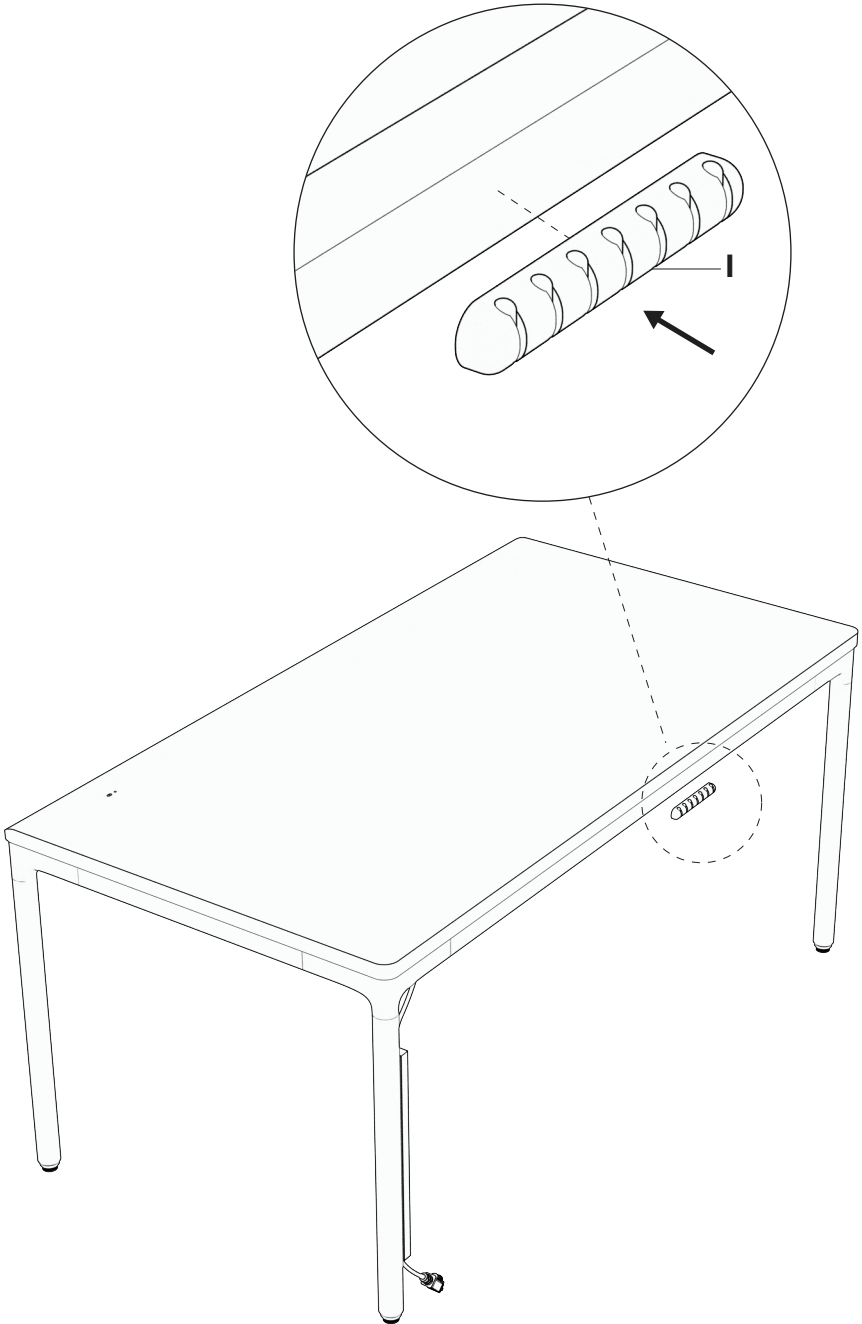
Organize the cable with **H (Zip Ties)**



Step 15 Put the **Main power cord** of the extension socket into the **Upper Tube**. Then attach the **Upper Tube** onto the **Column B**

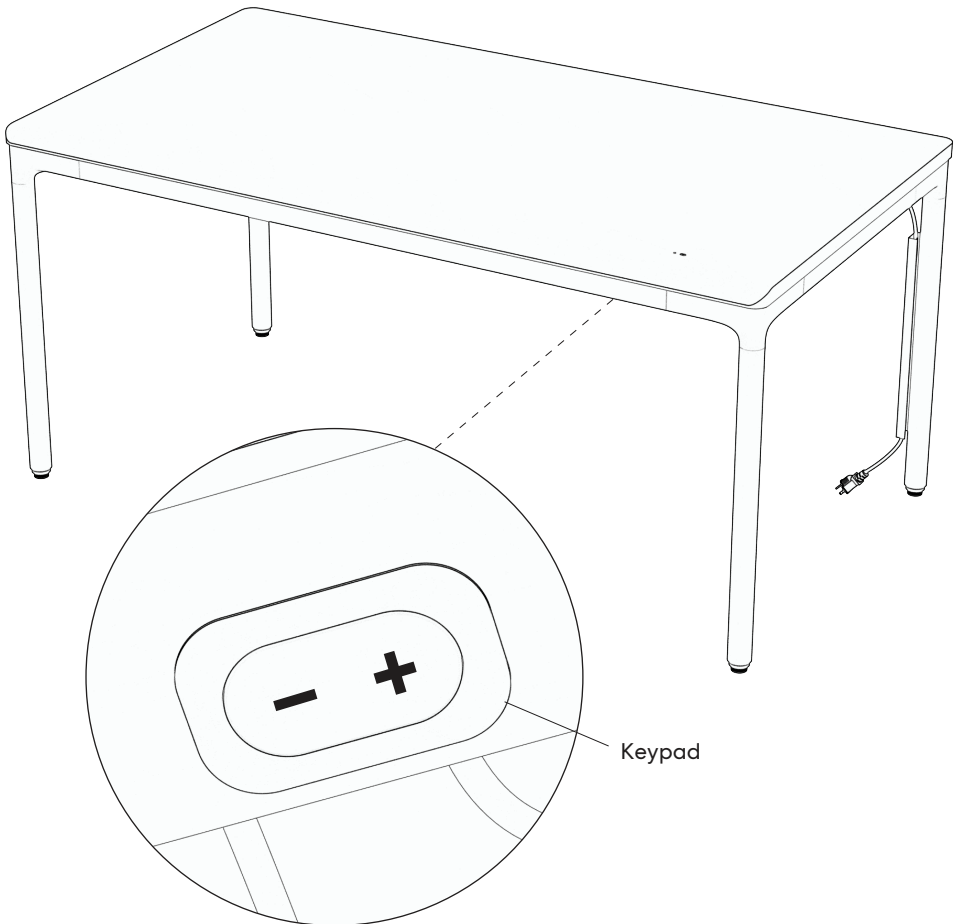


Step 16 Remove the tape and then attach the **I (Cable Organizer)** to the edge of Long Crossbeam 2.



Step 17 Prepare Your Desk

1. Press and hold the **+** and **-** buttons together for 3 seconds.
2. The desk will move to its lowest position. Keep holding both buttons until you hear a beep sound.
3. Release the buttons after the beep to complete the reset.



User guide

How do you use the two buttons under your desk.

1. Reset

- Press and hold the **+** and **-** buttons together for 3 seconds.
- The desk will move to its lowest position. Keep holding both buttons until you hear a beep sound.
- Release the buttons after the beep to complete the reset.

2. Adjusting Desk Height

- **To Raise the Desk**
Press and hold the **+** button. Release it when the desk reaches your desired height.
- **To Lower the Desk**
Press and hold the **-** button. Release it when the desk reaches your desired height.

3. Memory Function

- **Save Memory Position 1:**
 - Adjust the desk to your desired height.
 - Double-click the **+** button. The desk will beep briefly to confirm.
 - Double-clicking the **+** button again will overwrite the previously saved position.
- **Save Memory Position 2:**
 - Adjust the desk to your desired height.
 - Double-click the **-** button. The desk will beep briefly to confirm.
 - Double-clicking the **-** button again will overwrite the previously saved position.
- **Recall Memory Positions:**
 - Press the **+** button once to move the desk to Memory Position 1.
 - Press the **-** button once to move the desk to Memory Position 2.

* The sensor and keypad cannot be used simultaneously. The control box will respond to signals from only one at a time.

Any questions? Chat with our Customer Support team at
www.autonomous.ai/help-center.

We're here to help!

