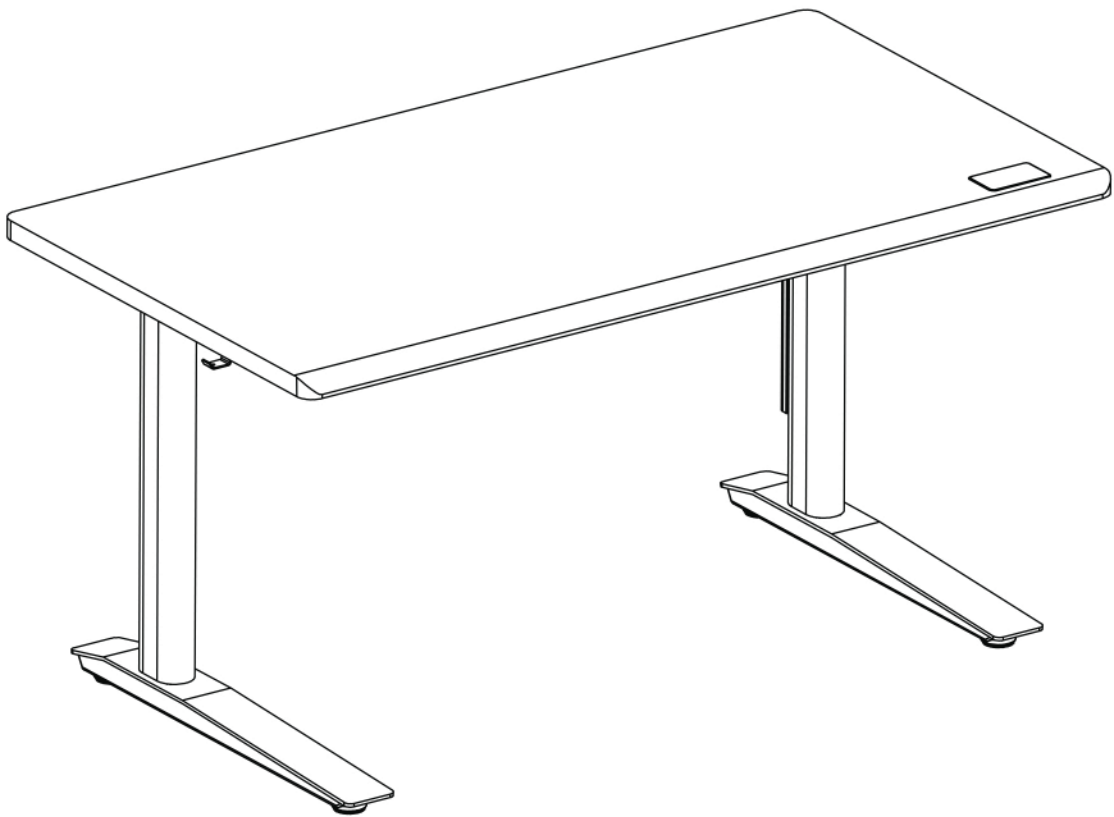


Autonomous

Autonomous Desk Pro

Assembly Guide



Assembly Time

30-45 min

Number of People

2



TABLE OF CONTENTS

CAUTION	1
INCLUDED PARTS	2
ASSEMBLY GUIDE	
COLUMN ASSEMBLY	3
SIDE BRACKET ASSEMBLY	4
FOOT ASSEMBLY	5
CENTER RAIL ASSEMBLY	6
FRAME INSTALLATION	7
CABLE TRAY ASSEMBLY	9
DESK FLIPPING	10
CABLE MANAGEMENT	11
ACCESSORY INSTALLATION	12
SETUP KEYPAD	
RESET INSTRUCTION	13
HEIGHT ADJUSTMENT & MEMORY SETUP	14
ANTI-COLLISION LEVEL SETTINGS	15



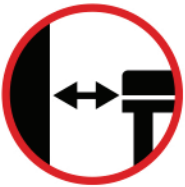
READ AND FOLLOW ASSEMBLY INSTRUCTIONS CAREFULLY BEFORE USE.



Keep kids and pets away during use.



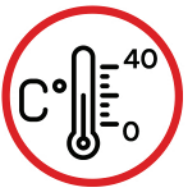
Unplug during storms or long unused periods.



Keep desktop away from walls for ventilation.



Keep the under-desk area (20"+) obstacle-free during use.



Keep the desk in 0-40°C, away from dust and corrosives.



Do not disassemble without permission.



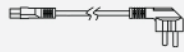
Manually reset after first use or power outage.

INCLUDED PARTS

Desktop



Power Cord



Keypad

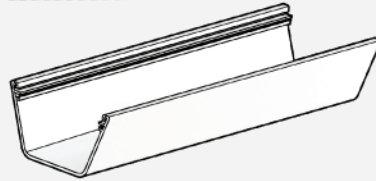
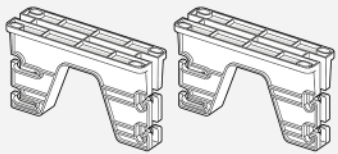
Power Outlet



Control Box

Clips

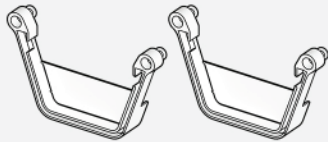
x 2



Cable Tray

End Caps

x 2

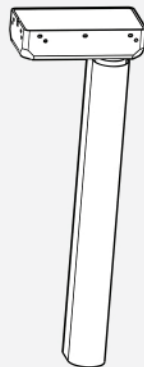


Hooks

x 2

Columns

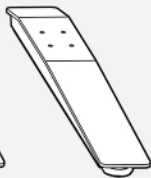
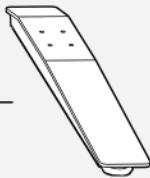
x 2



Upper Tube

Feet

x 2



Side Brackets

x 2

Center Rails

x 2



Frames

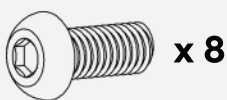
x 2

A M6x10 Screws



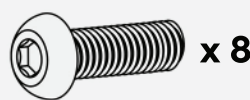
x 16

B M6x14 Screws



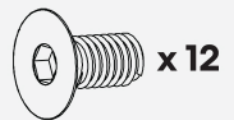
x 8

C M6x16 Screws



x 8

D M6x12 Screws



x 12

E ST5x20 Screws



x 10

F ST3.5x16 Screws



x 4

G Screwdriver



x 1

H M4 Wrench

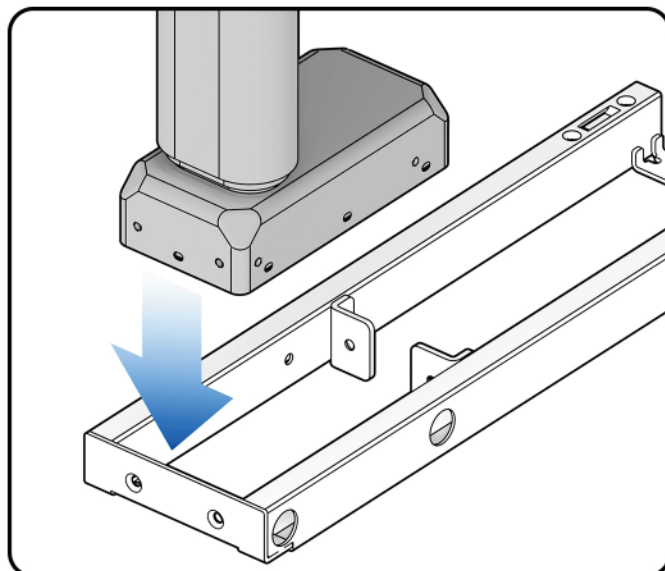
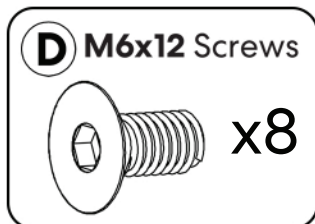
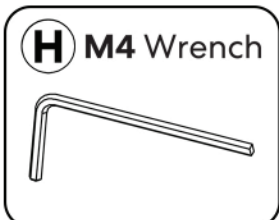
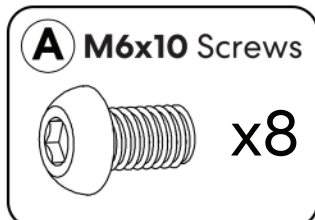


x 1

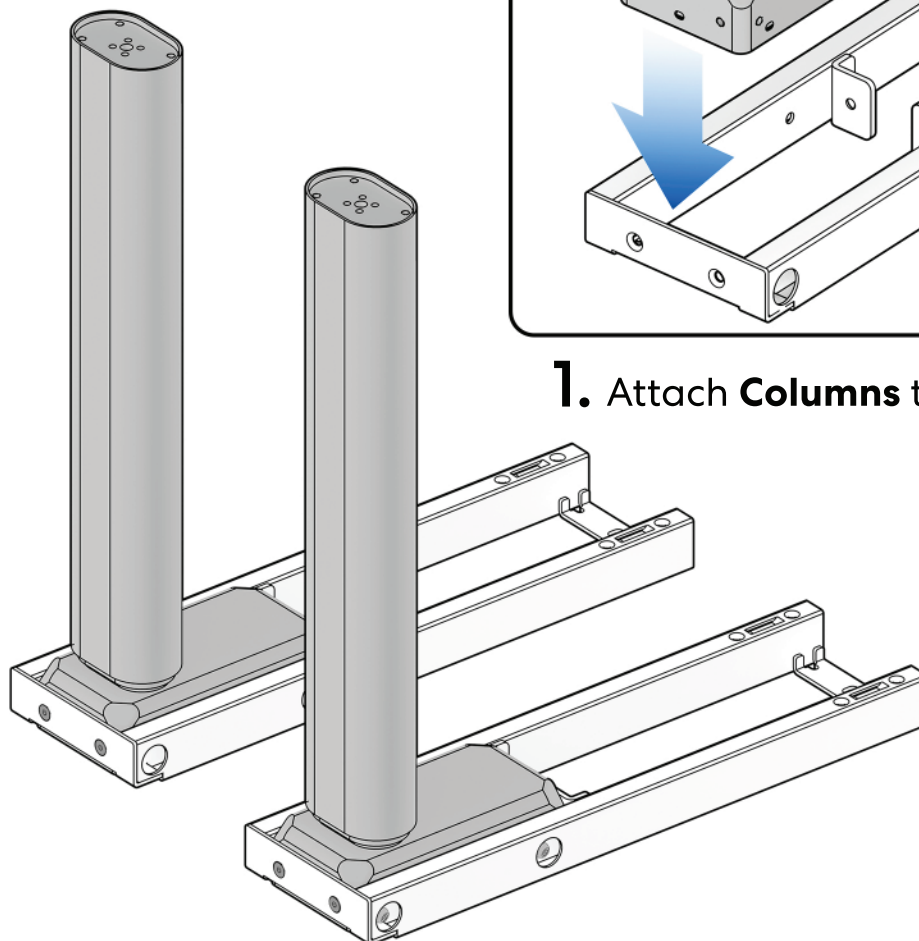
J Zip Ties



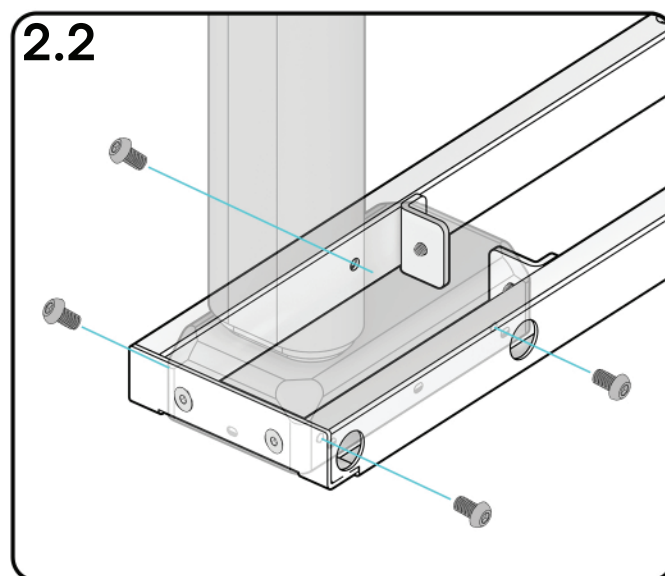
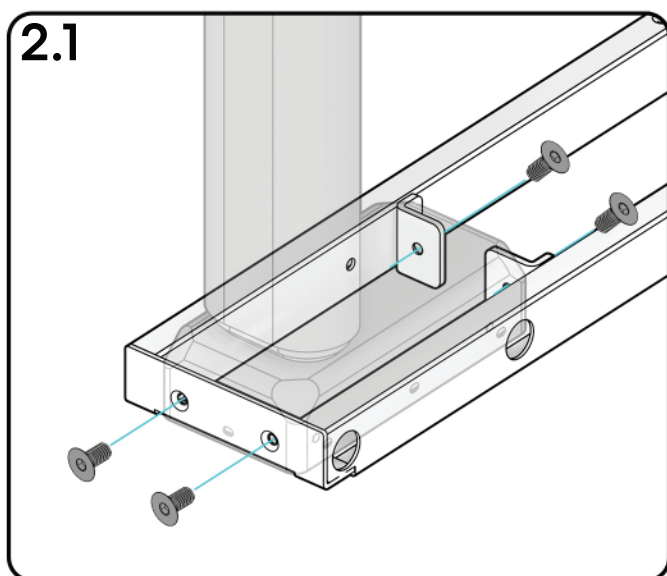
x 10



1. Attach **Columns** to the **Frame**

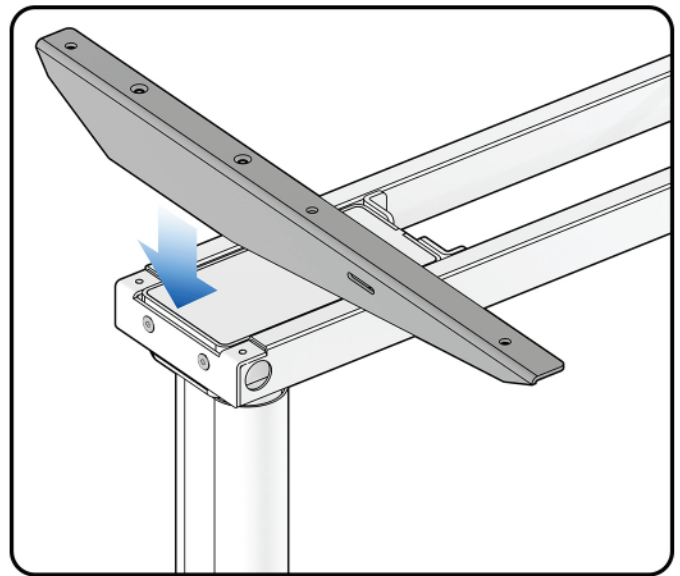
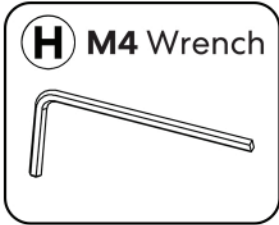


2. Easily align the screw positions by inserting 4 screws **D**(2.1) and 4 screws **A** (2.2), without tightening

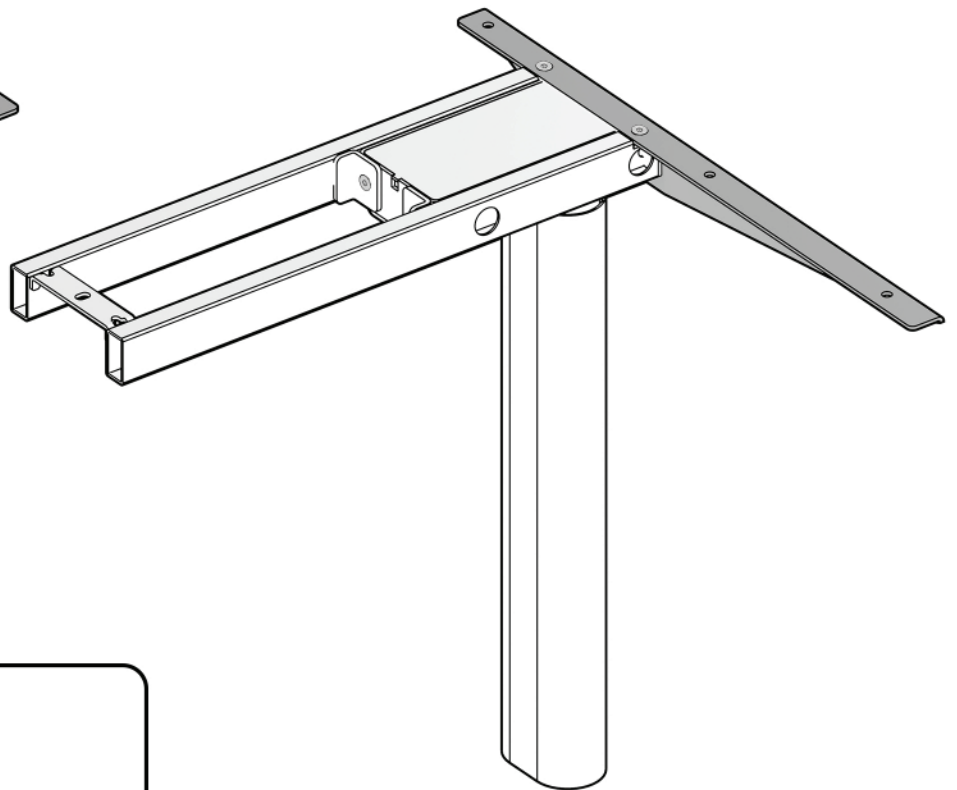
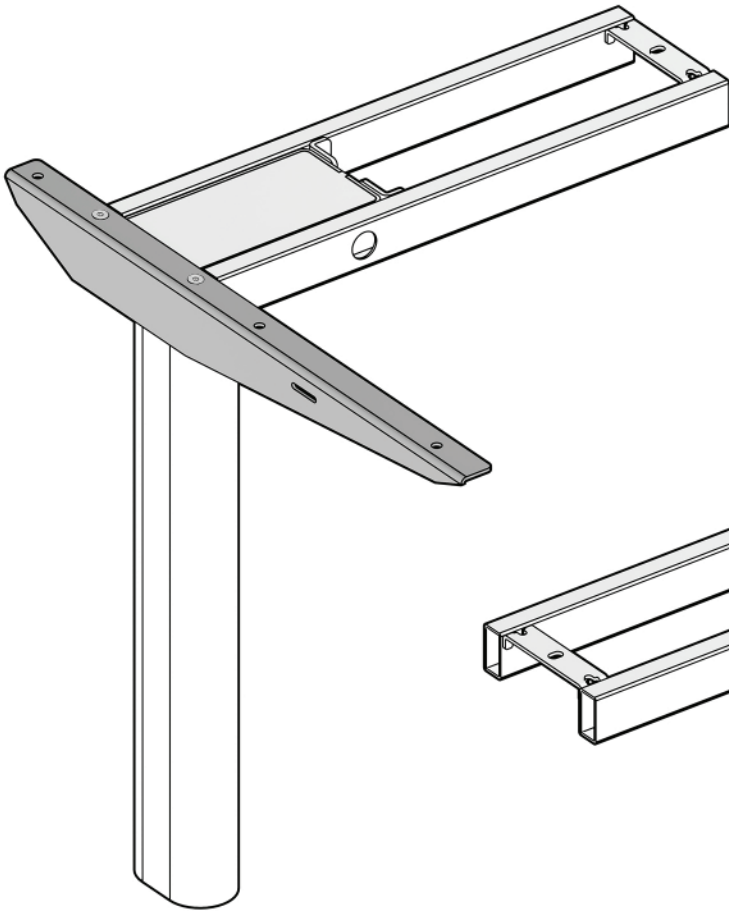


3. Tighten screws **D**(2.1) and screws **A** (2.2)

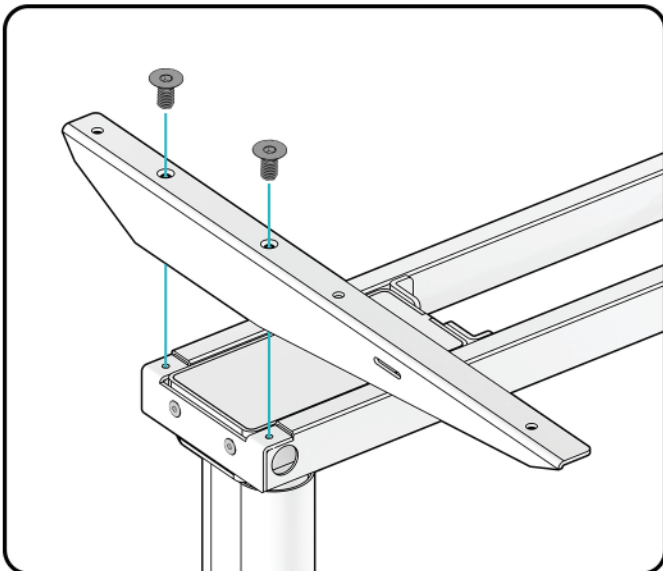
SIDE BRACKET ASSEMBLY



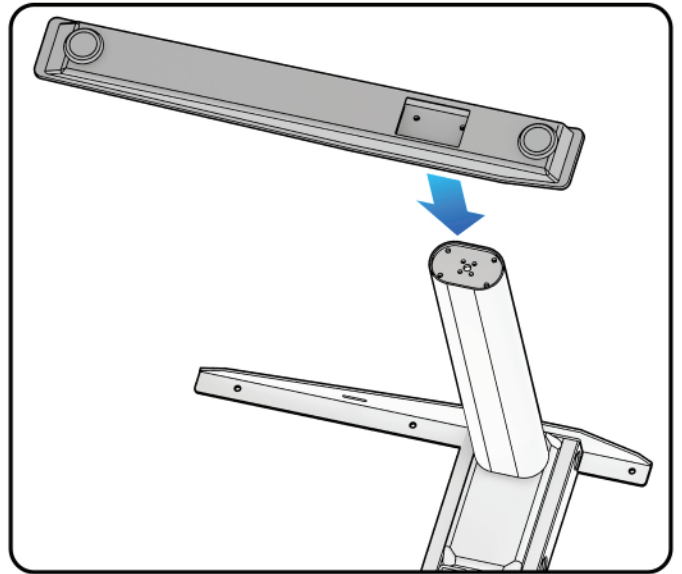
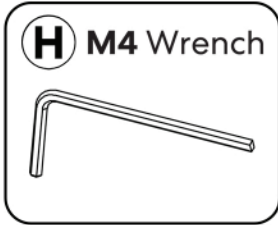
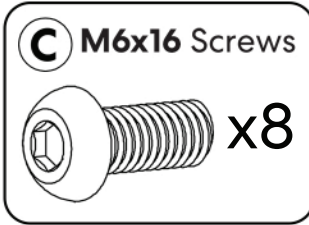
1. Attach **Side Brackets** to the **Frame**



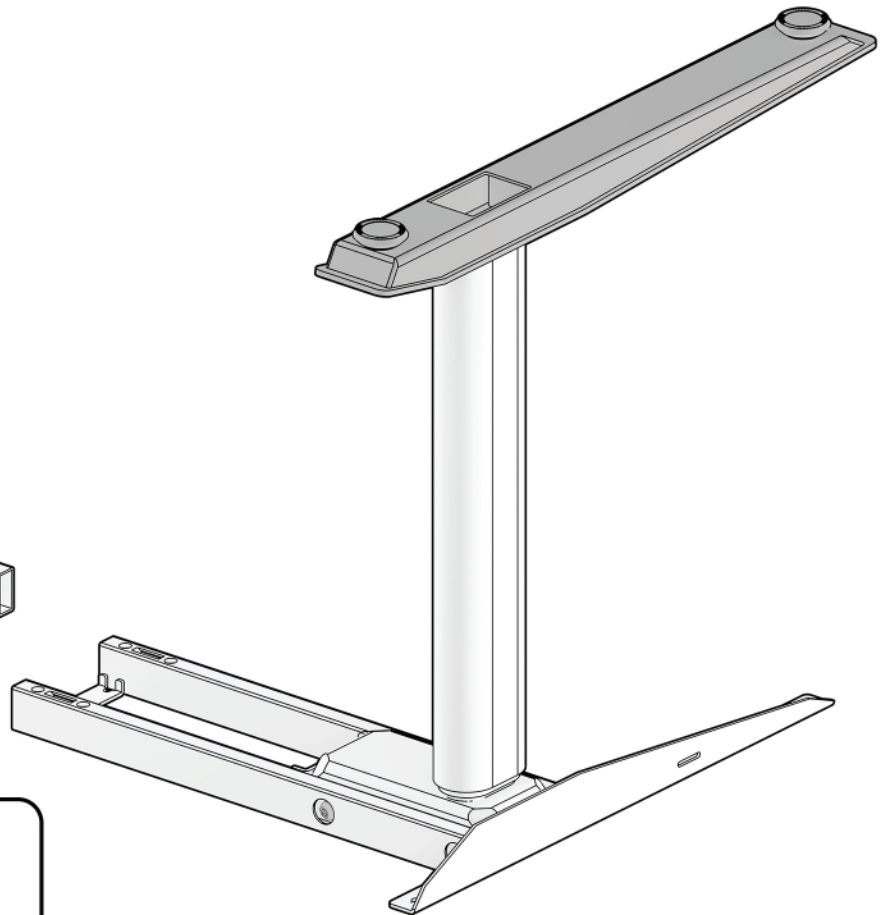
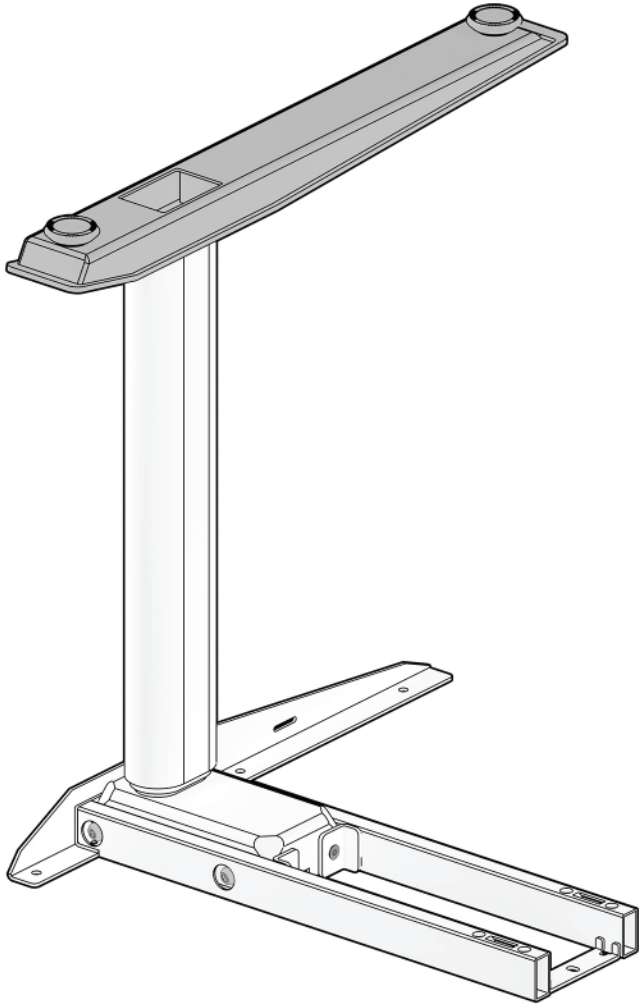
2. Insert 2 screws **D**



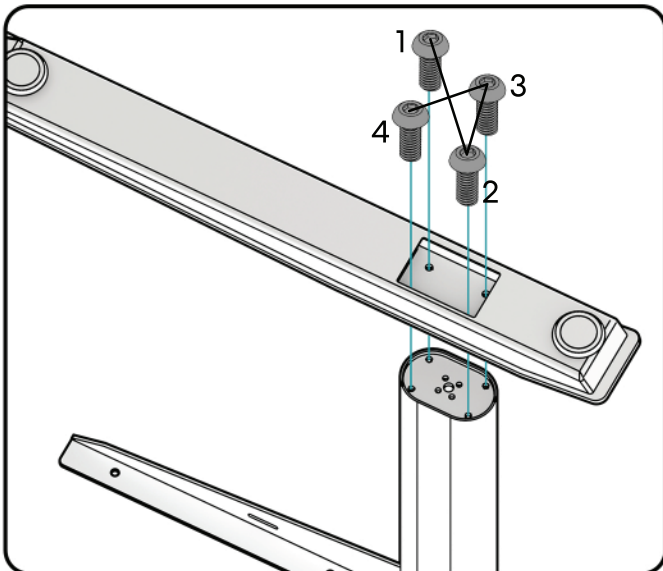
FOOT ASSEMBLY



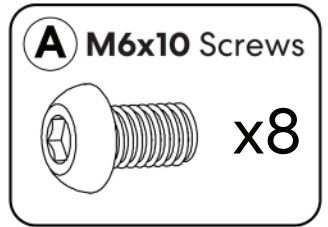
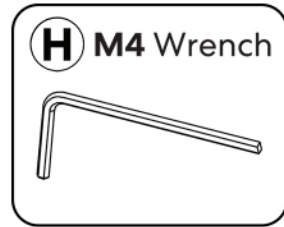
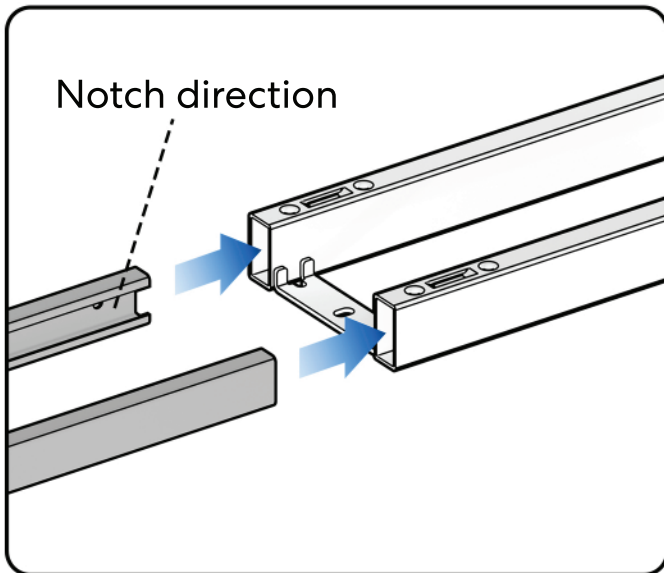
1. Attach Feet to Columns



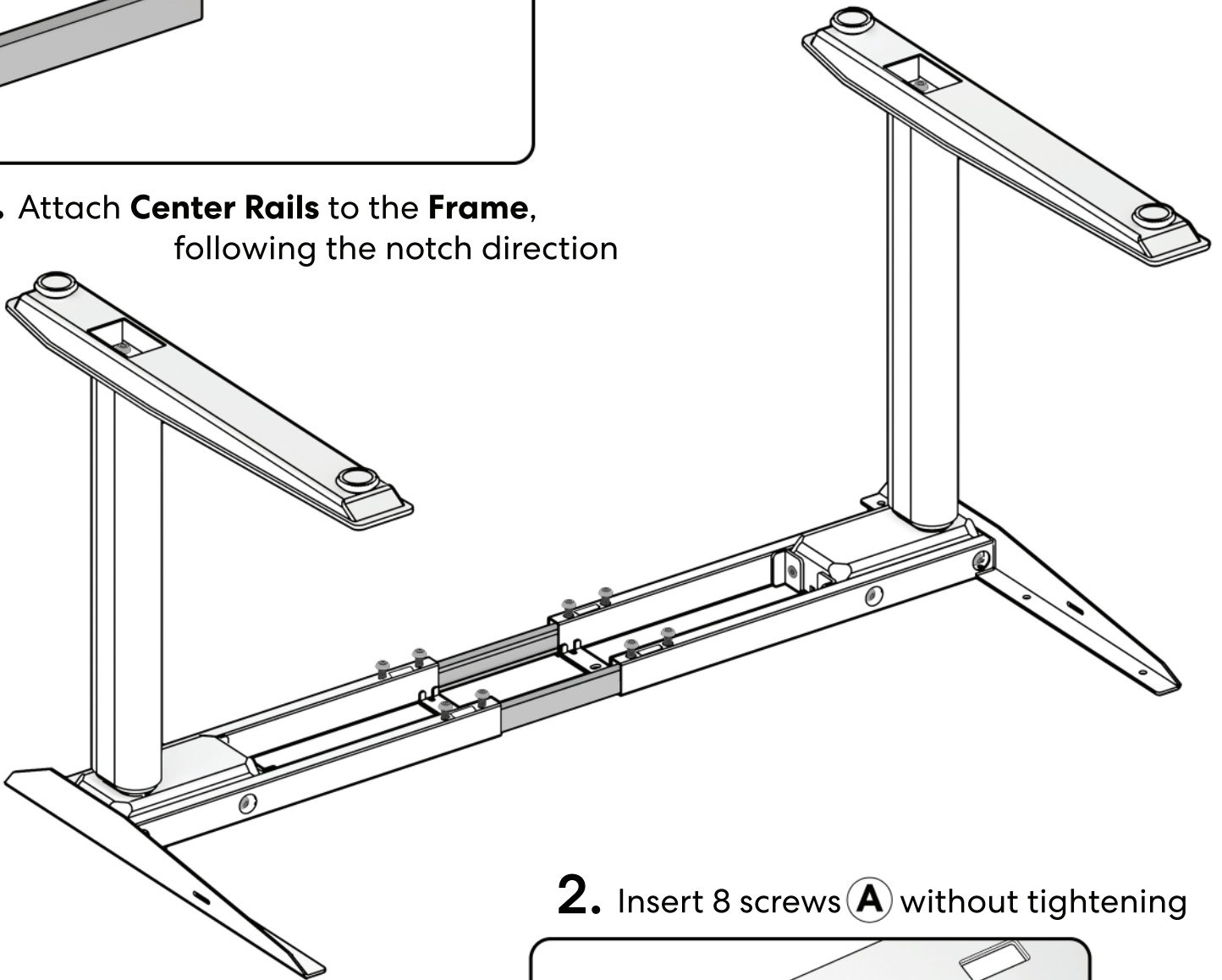
2. Insert 4 screws **C**



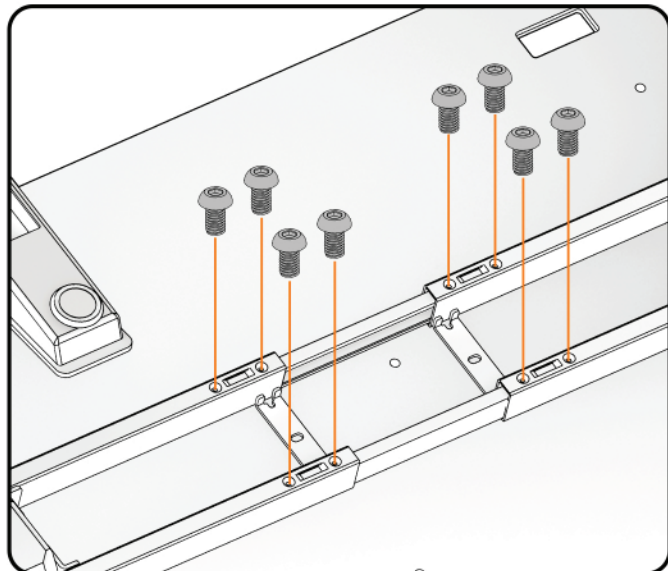
CENTER RAIL ASSEMBLY



1. Attach **Center Rails** to the **Frame**, following the notch direction



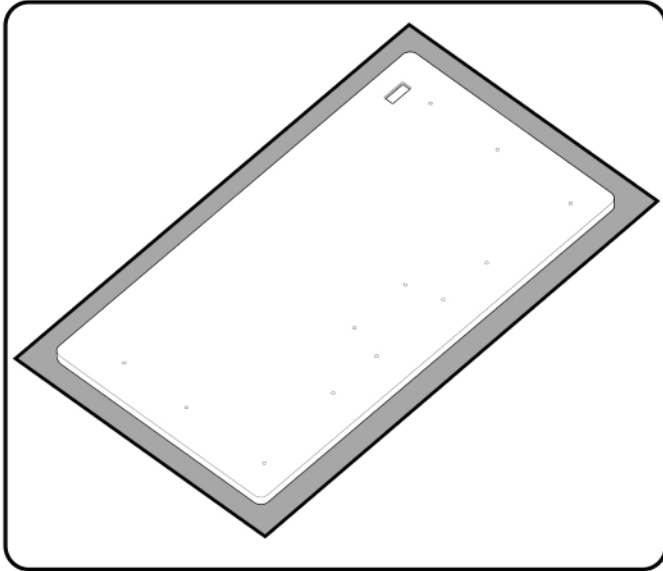
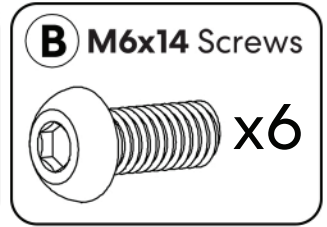
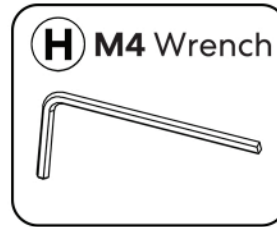
2. Insert 8 screws **A** without tightening



FRAME INSTALLATION

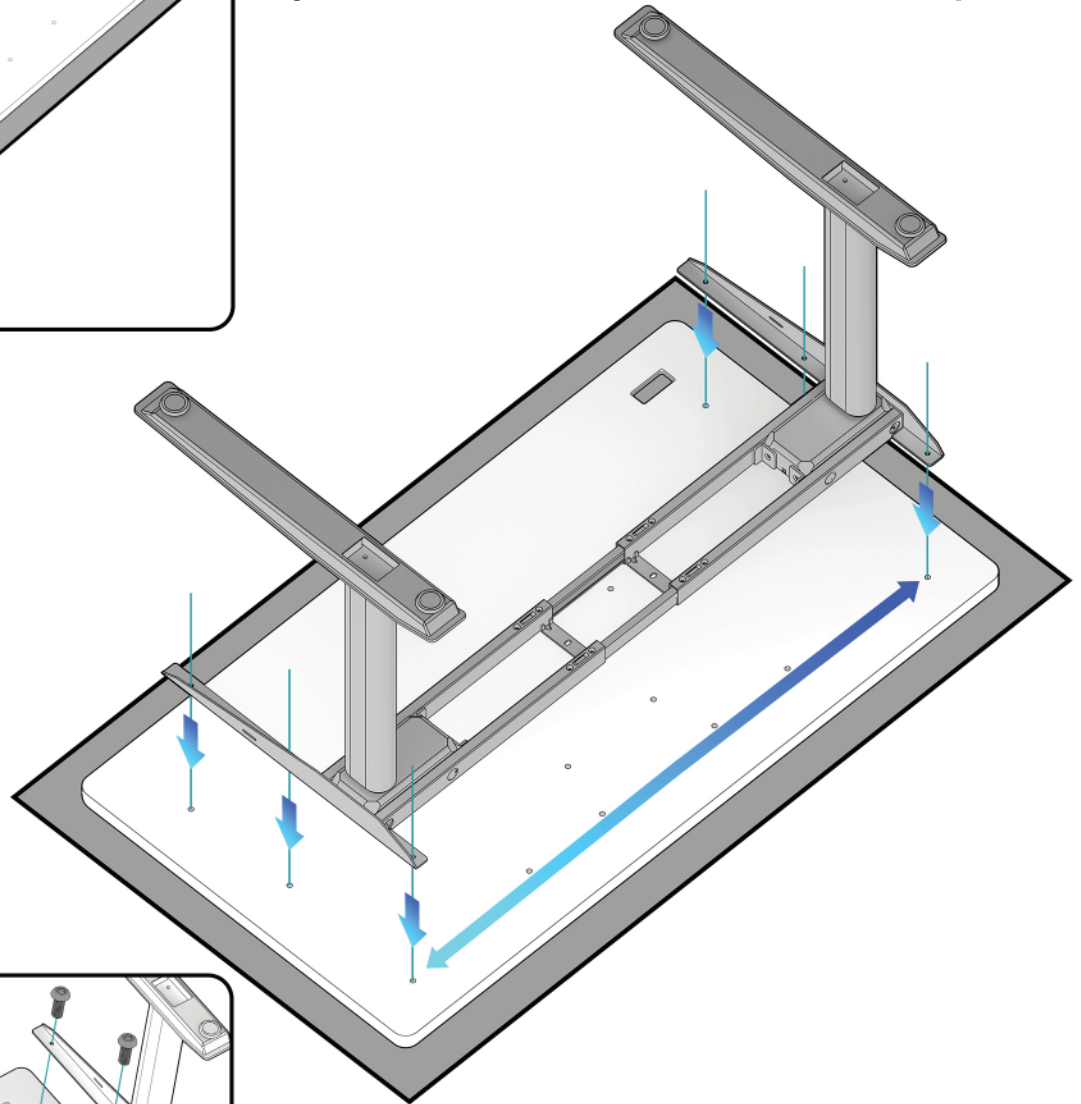


1. Place a **Foam Pad** under the **Desktop** to prevent scratches when installing

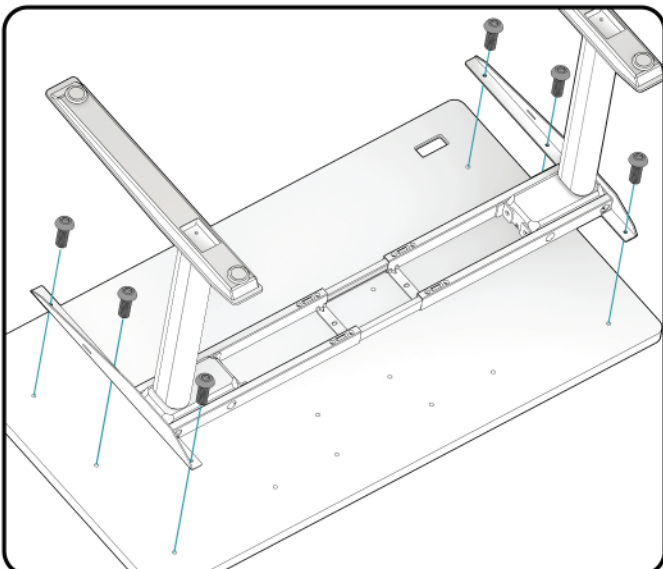


2.

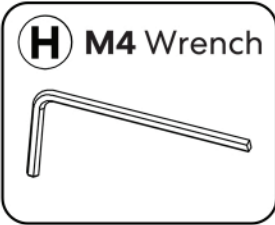
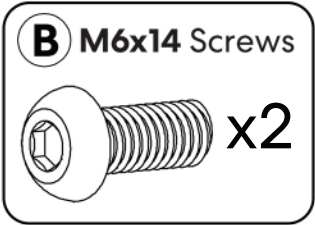
- With 2 people, position the **Frame** on the **Desktop**, align the **Side Bracket** holes with the **Desktop** holes



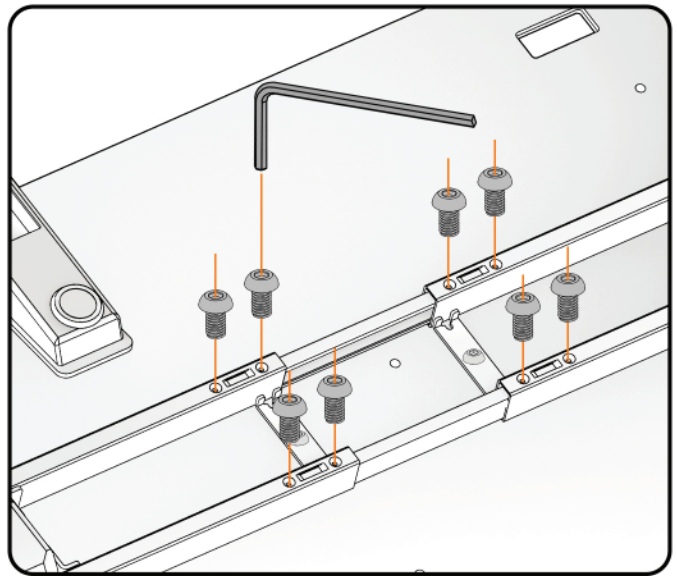
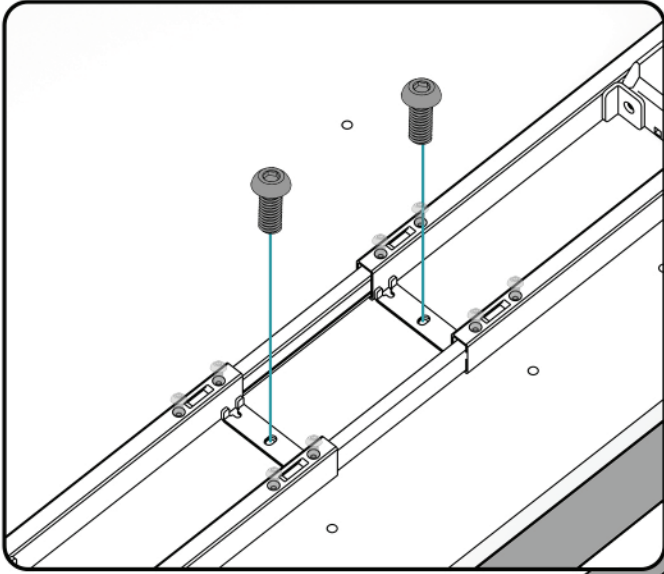
3. Insert 6 screws **B**



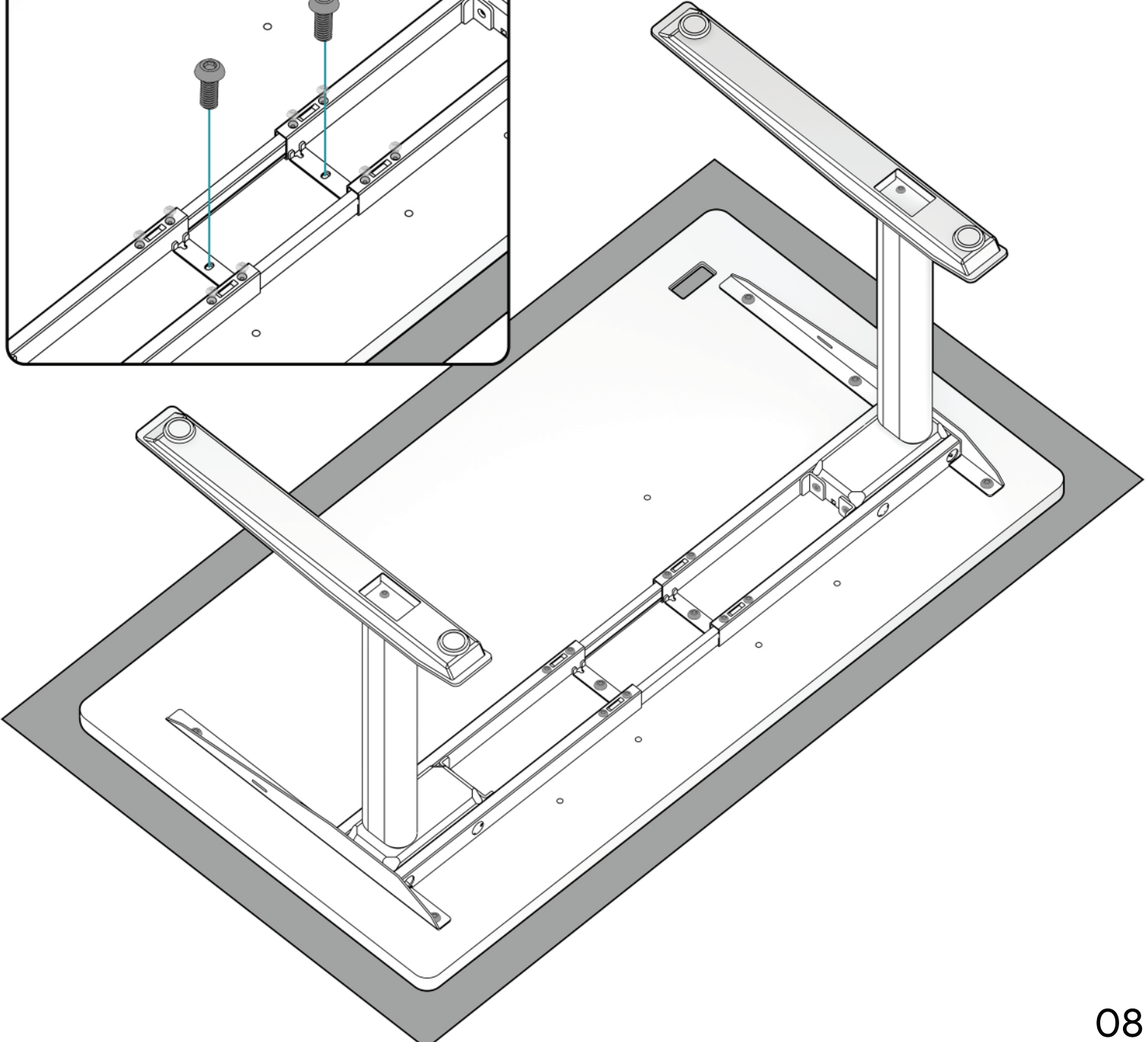
FRAME INSTALLATION



1. Insert 2 screws **B**



2. Tighten 8 screws **A**

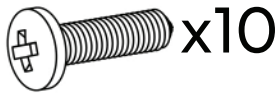


CABLE TRAY ASSEMBLY

F ST3.5x16 Screws



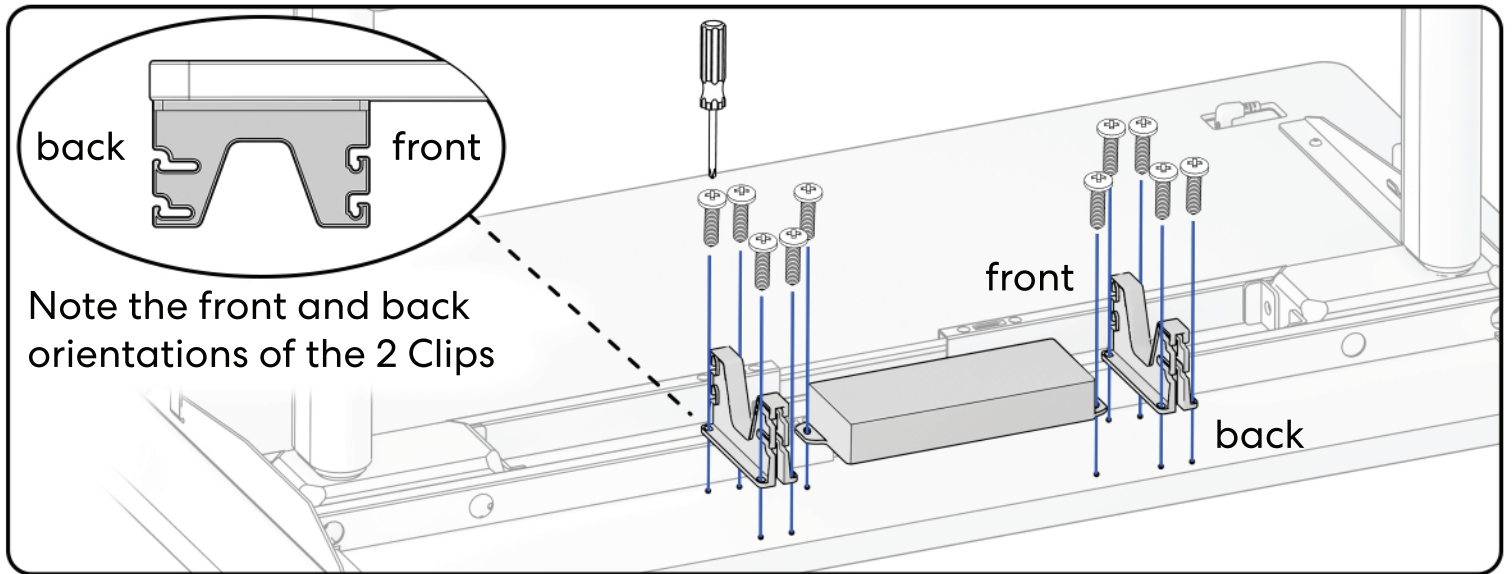
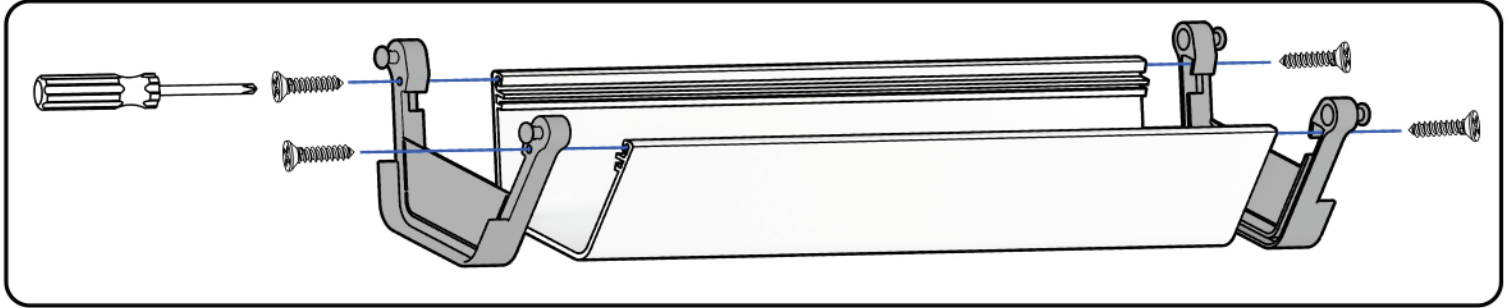
E ST5x20 Screws



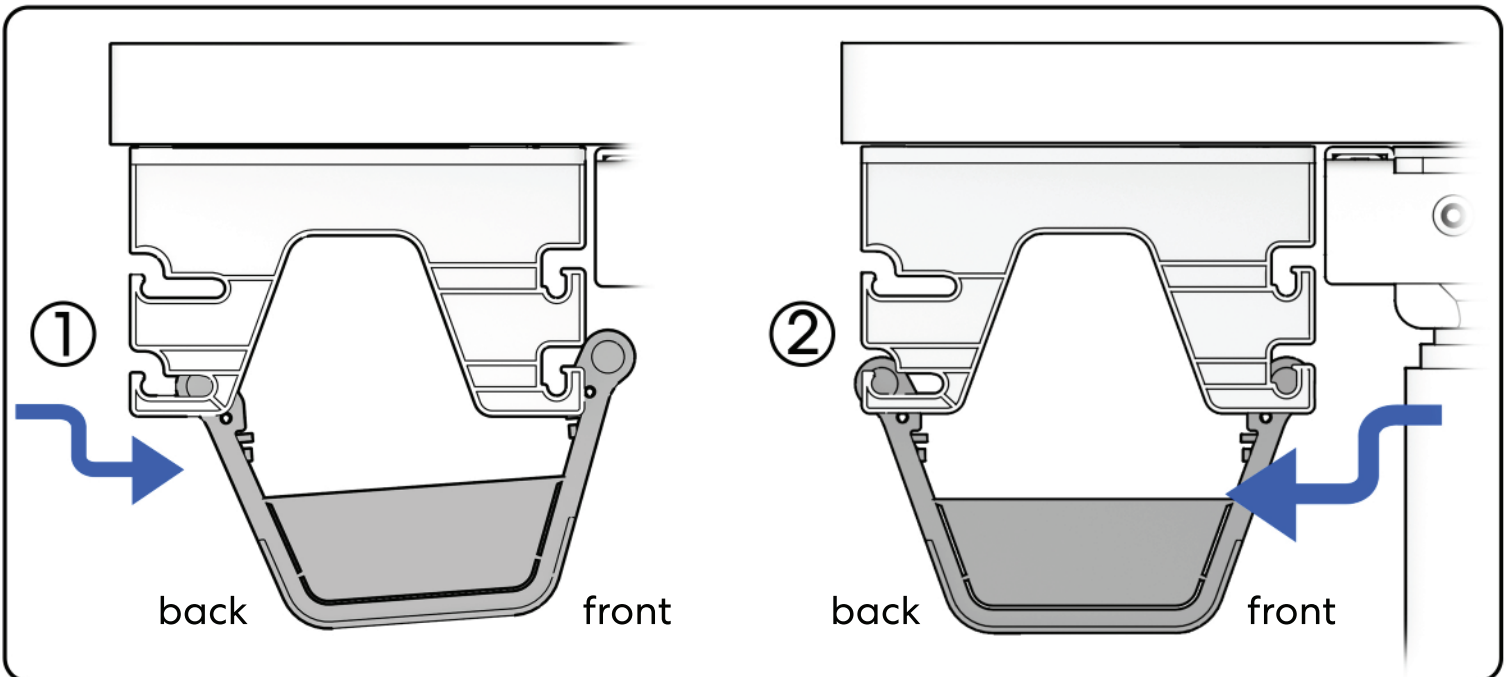
G Screwdriver



1. Attach 2 x **End Caps** to **Cable Tray** using 4 x Screws **F**



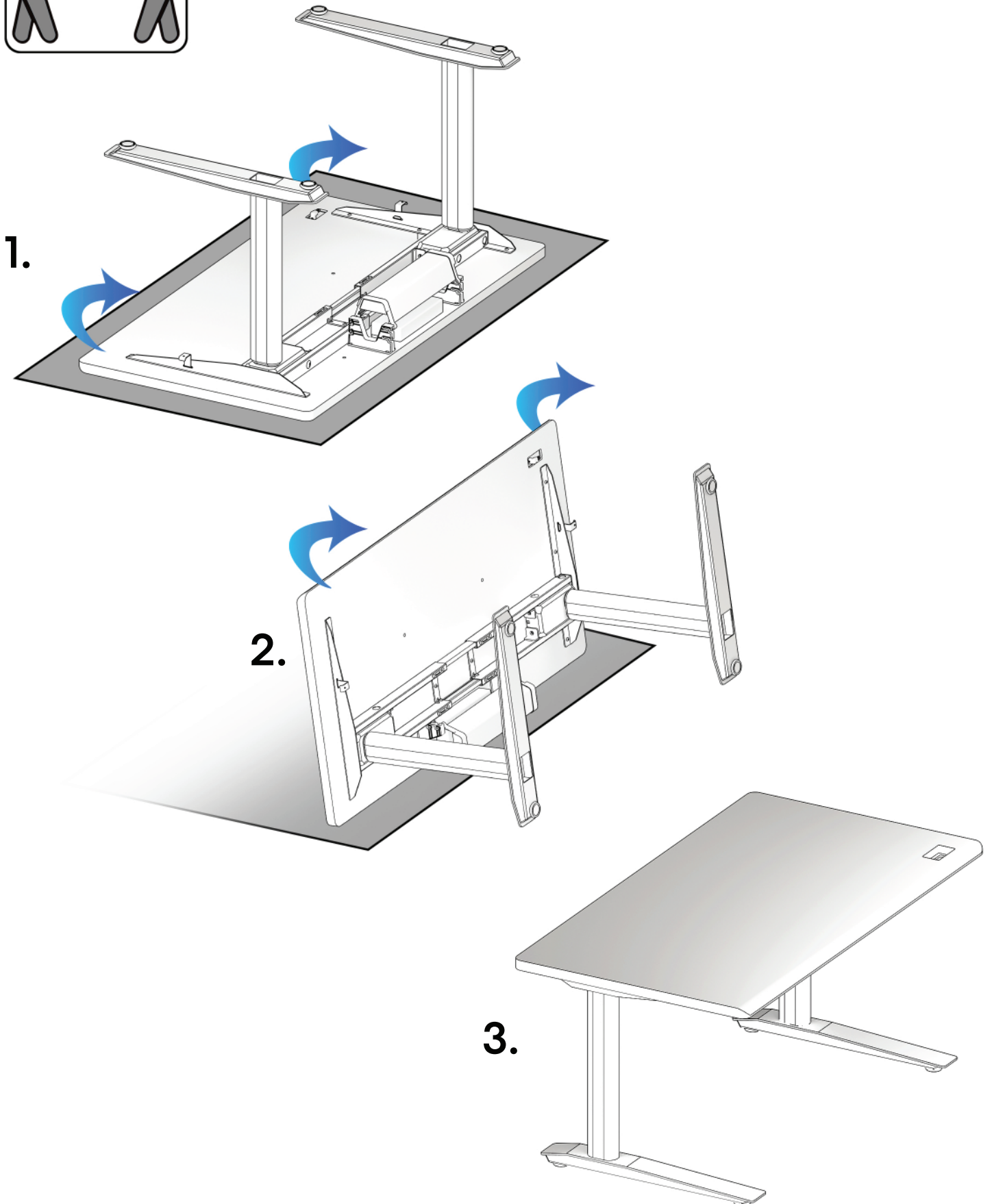
2. Attach 2 x **Clips** and **Control Box** to **Desktop** using 10 x Screws **E**

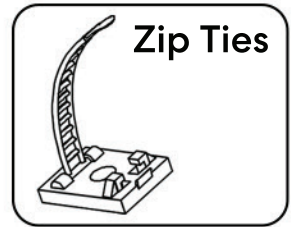
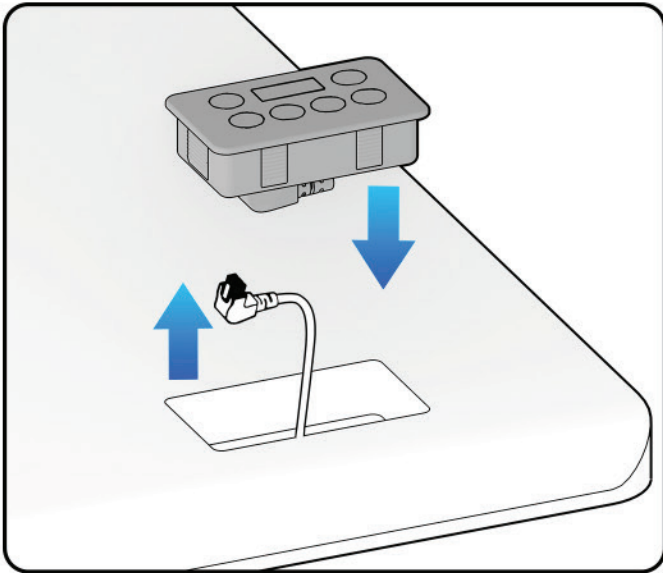


3. Hang & secure the **Cable Tray** onto the **Clips**, as shown above



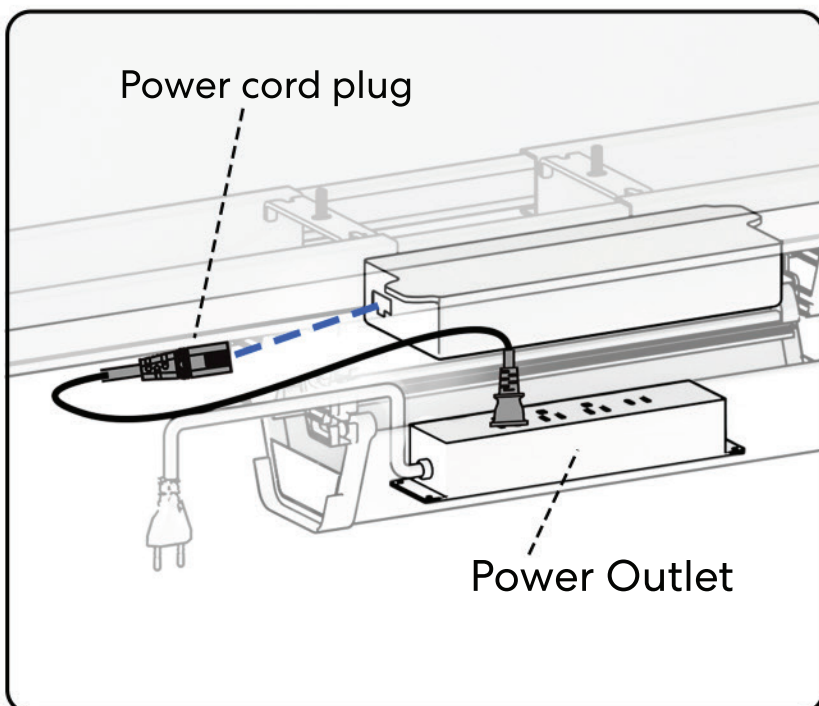
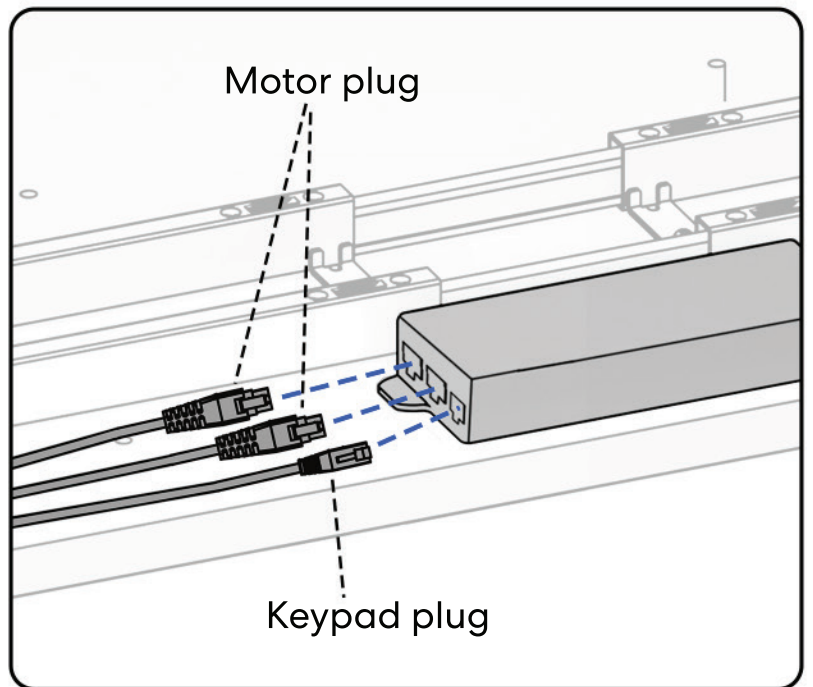
Note: Make sure all screws are tight, then flip upright. Keep the **Foam Pad** under the **Desktop** during flipping to prevent scratches.



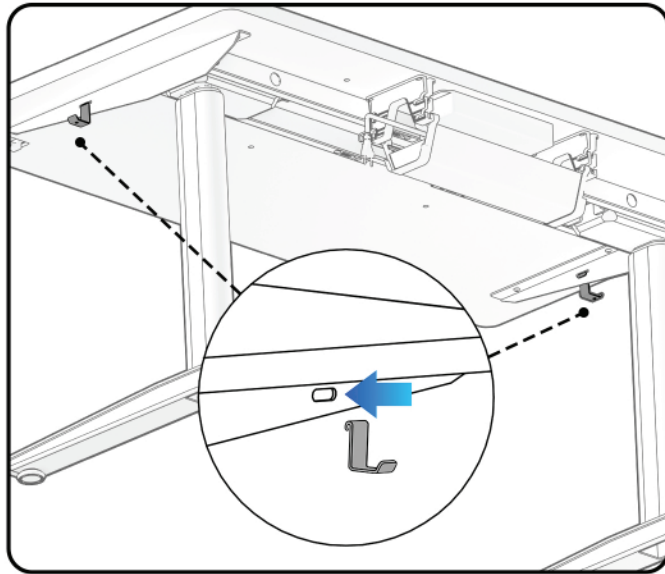


1. Route the **Keypad Cable** through the **Desktop**

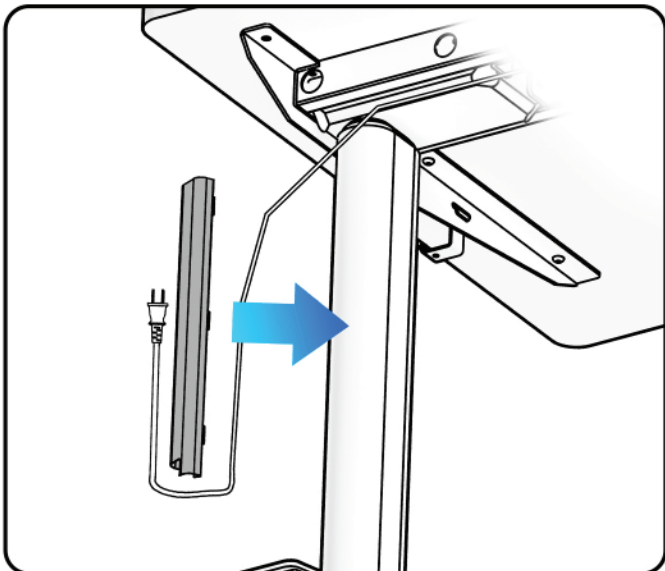
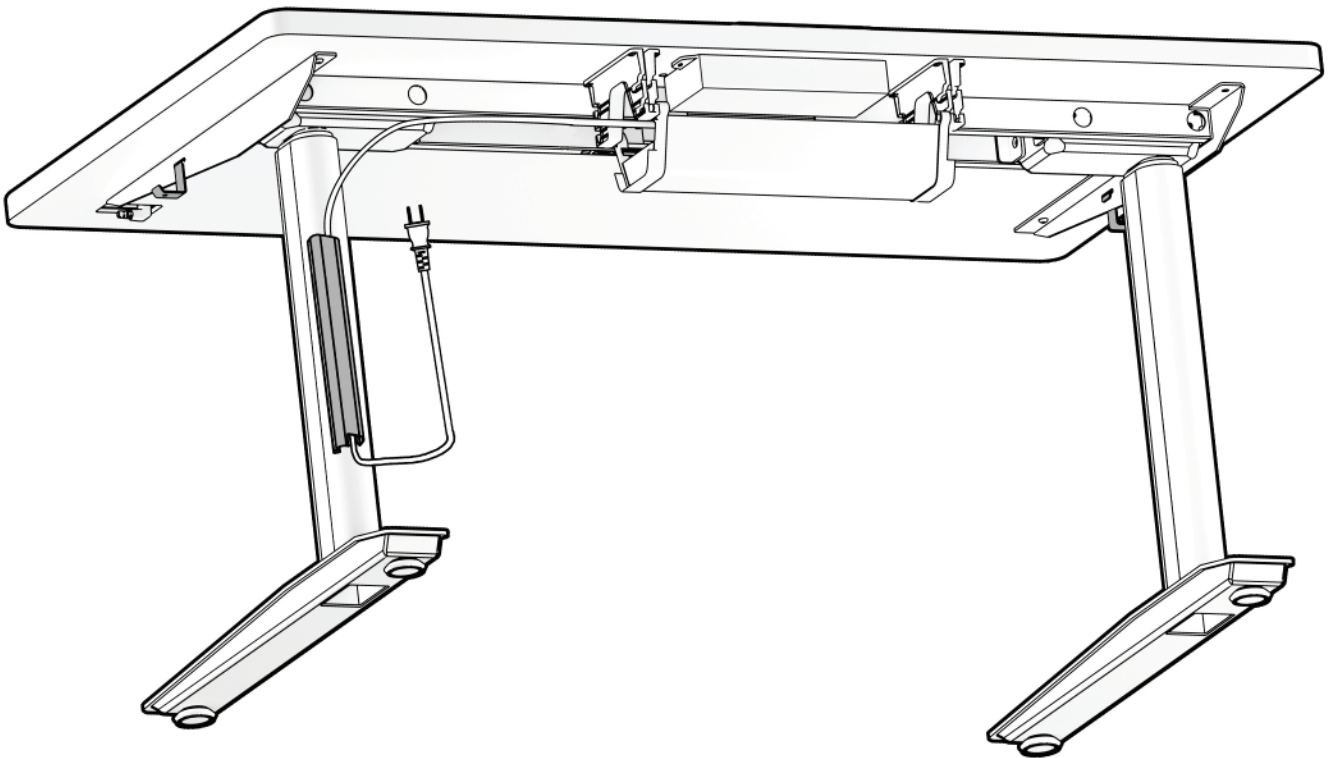
2. Plug **Motor & Keypad Cords** into the **Control Box** & secure them with the **Zip Ties**



3. Plug the power cord into the **Outlet** & secure it with the **Zip Ties**





1. Attach the **Hooks** to the **Side Brackets**

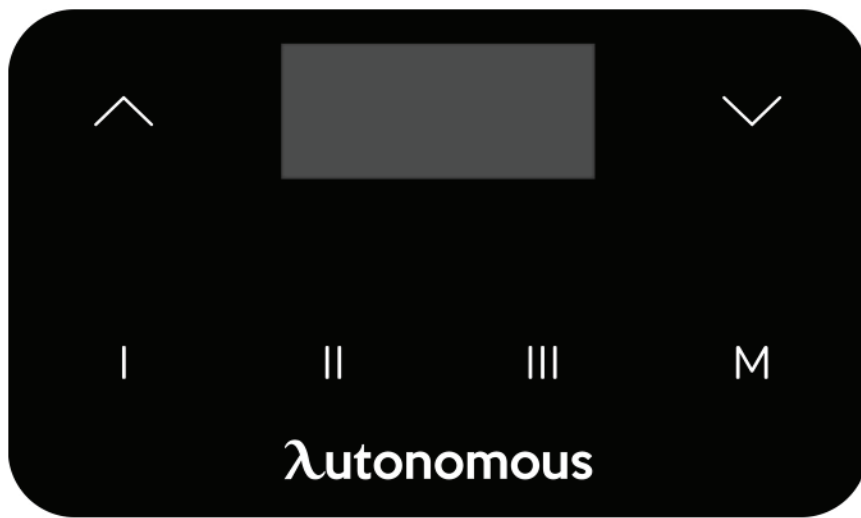


2. Attach the **Upper Tube** to a **Column**

*Note: The **Power Cord** should be put through the **Upper Tube** before attaching*







1. Press & hold  +  for 3 seconds

2. Release when there is a "beep" sound to complete reset.



HEIGHT ADJUSTMENT & MEMORY SETUP






1. Press  or  to adjust the height
2. Press and hold  for 3 seconds until the display flashes, then press the memory ,  or  to save

3. Memory Recall Function:


Your desk has two different ways to recall saved heights.

You can switch between these modes anytime.




How to Switch Modes:




Press  +  +  at the same time. The desk will beep to tell you which mode you're now in.

Quick Click Mode (Default):

- When you hear 1 beep, you're in **Quick Click** mode
- Simply tap button ,  or  once
- The desk will automatically move to that saved height

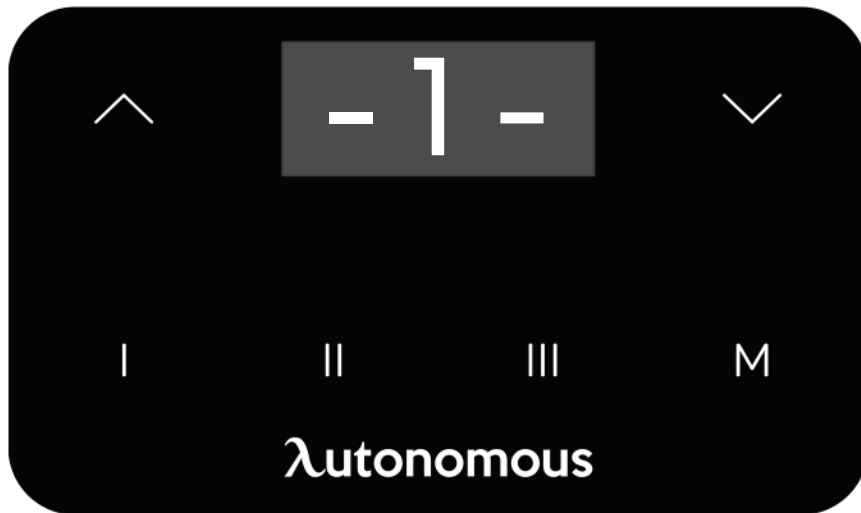
Press & Hold Mode:





- When you hear 2 beeps, you're in **Press & Hold** mode
- Press and hold button ,  or 
- Keep holding until the desk reaches your saved height
- The desk will stop automatically when it gets there

Note: Your chosen mode stays active until you change it using the  +  +  combination again.

ANTI-COLLISION LEVEL SETTINGS

The Anti-collision setting prevents damage and accidents by stopping the desk if it hits something, becomes uneven, or tilts.



1. Press & hold  +  for 5 seconds to enter setting mode
2. Press  or  to adjust sensitivity. For the smoothest operation, we recommend setting the anti-collision back to level 1.
3. Wait for 5 seconds to save

Any questions?

Chat with our Customer Support team at
www.autonomous.ai/help-center

We're here to help!