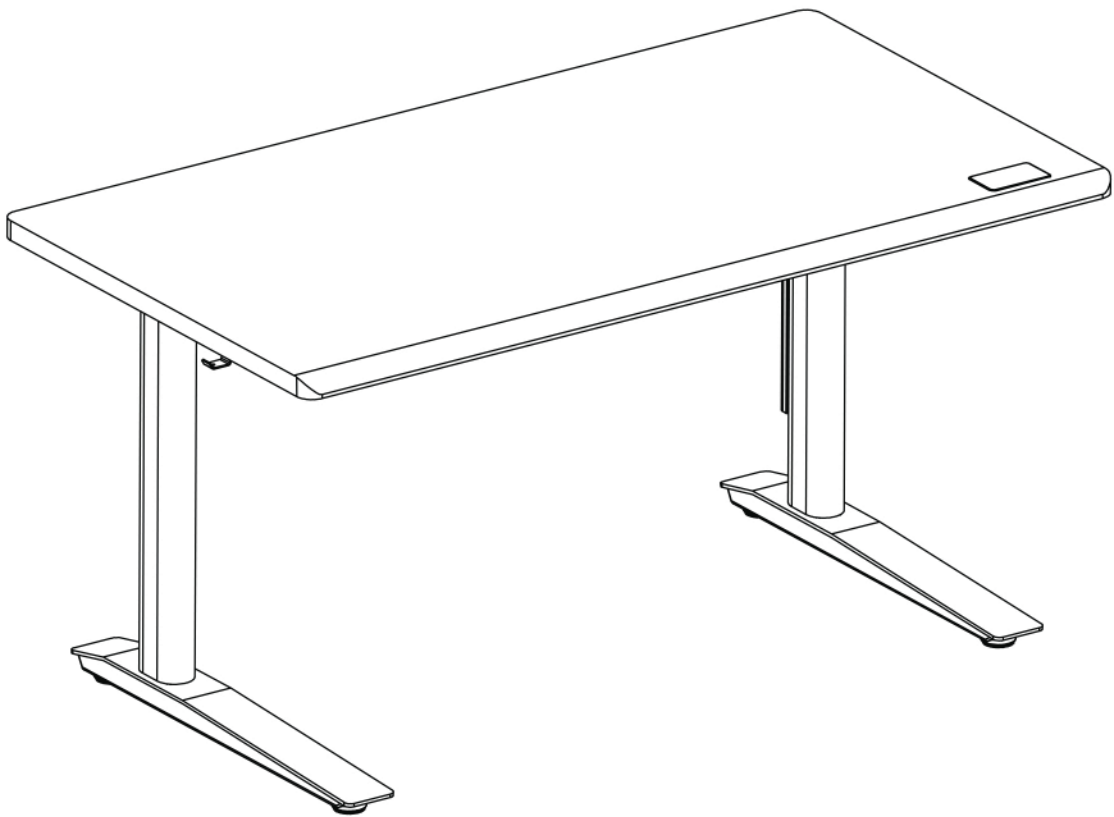


Autonomous

Thinking Desk

Assembly Guide



Assembly Time

30-45 min

Number of People

2



TABLE OF CONTENTS

CAUTION	1
INCLUDED PARTS	2
ASSEMBLY GUIDE	
COLUMN ASSEMBLY	3
SIDE BRACKET ASSEMBLY	4
FOOT ASSEMBLY	5
CENTER RAIL ASSEMBLY	6
FRAME INSTALLATION	7 - 8
SENSOR HUB & CONTROL BOX ASSEMBLY	9
CABLE TRAY ASSEMBLY	10
DESK FLIPPING	11
CABLE MANAGEMENT	12
ACCESSORY INSTALLATION	13
SETUP KEYPAD	
RESET INSTRUCTION	14
APP PAIRING & SETUP	15
HEIGHT ADJUSTMENT & MEMORY SETUP	16
ANTI-COLLISION LEVEL SETTINGS	17
FACTORY RESET	18
ERROR CODES	19



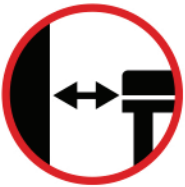
READ AND FOLLOW ASSEMBLY INSTRUCTIONS CAREFULLY BEFORE USE.



Keep kids and pets away during use.



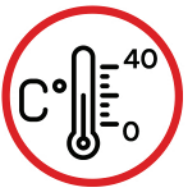
Unplug during storms or long unused periods.



Keep desktop away from walls for ventilation.



Keep the under-desk area (20"+) obstacle-free during use.



Keep the desk in 0-40°C, away from dust and corrosives.



Do not disassemble without permission.



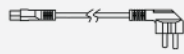
Manually reset after first use or power outage.

INCLUDED PARTS

Desktop



Power Cord



Keypad

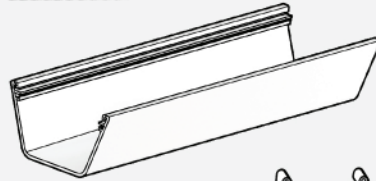
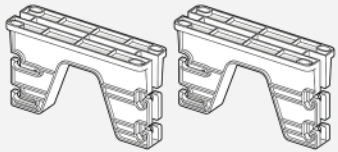
Power Outlet



Control Box

Clips

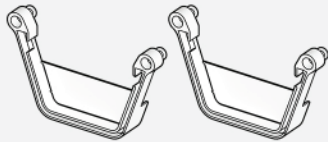
x 2



Cable Tray

End Caps

x 2

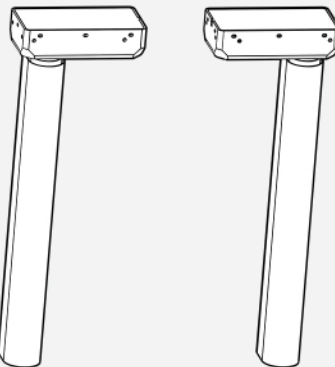


Hooks

x 2

Columns

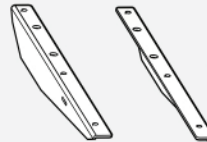
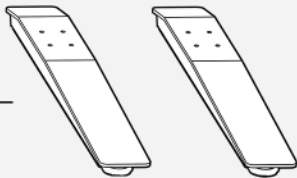
x 2



Upper Tube

Feet

x 2



Side Brackets

x 2

Center Rails

x 2



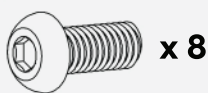
Frames

x 2

A M6x10 Screws



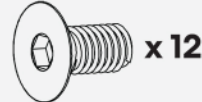
B M6x14 Screws



C M6x16 Screws



D M6x12 Screws



E ST5x20 Screws



F ST3.5x16 Screws



G M3x14 Screws



H Screwdriver

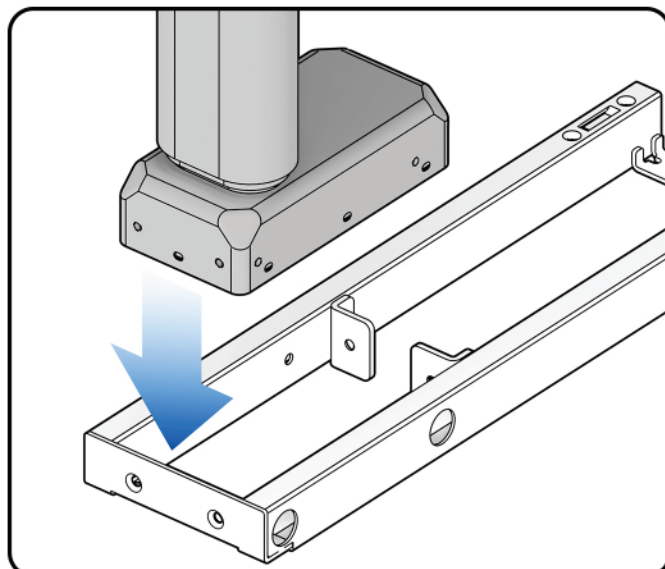
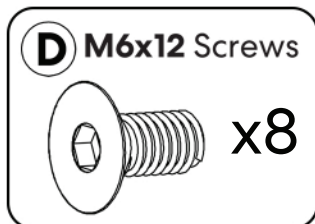
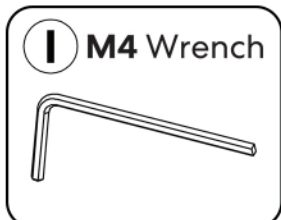
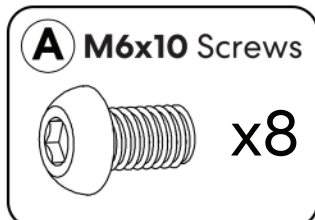


I M4 Wrench

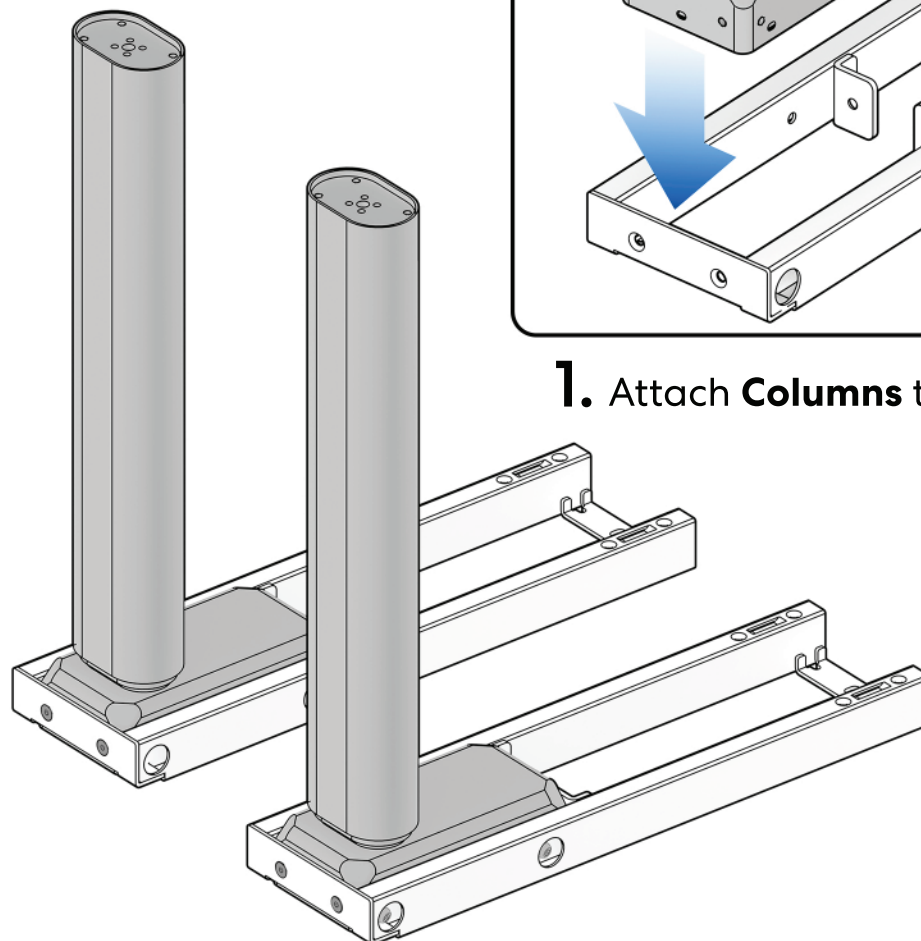


J Zip Ties

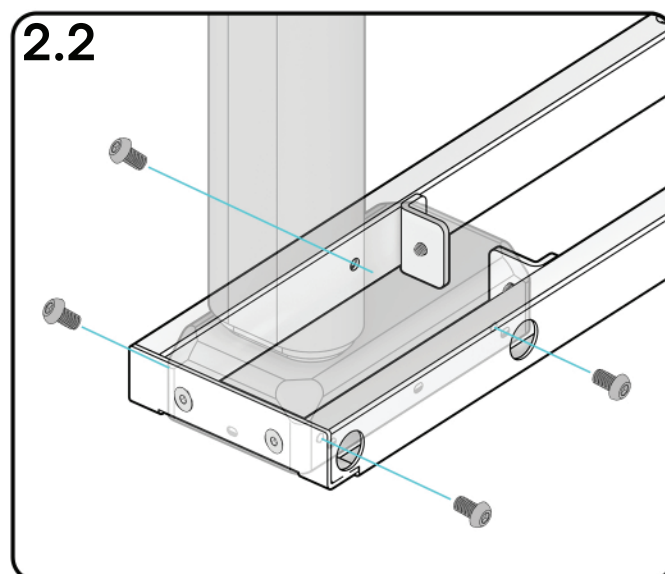
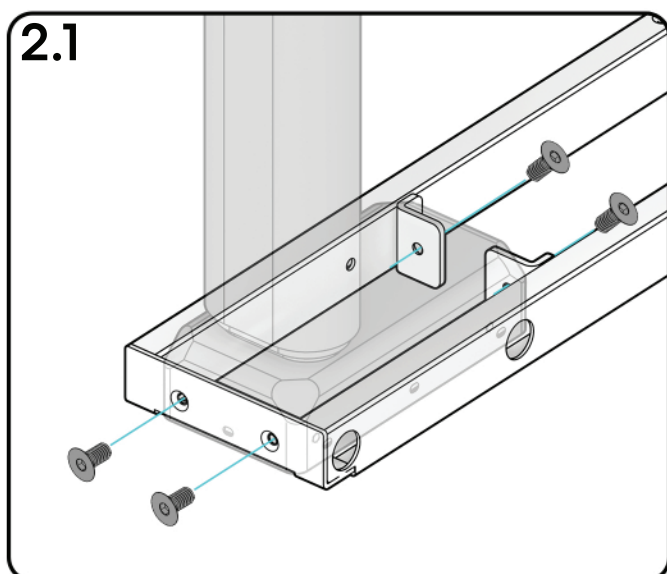




1. Attach **Columns** to the **Frame**

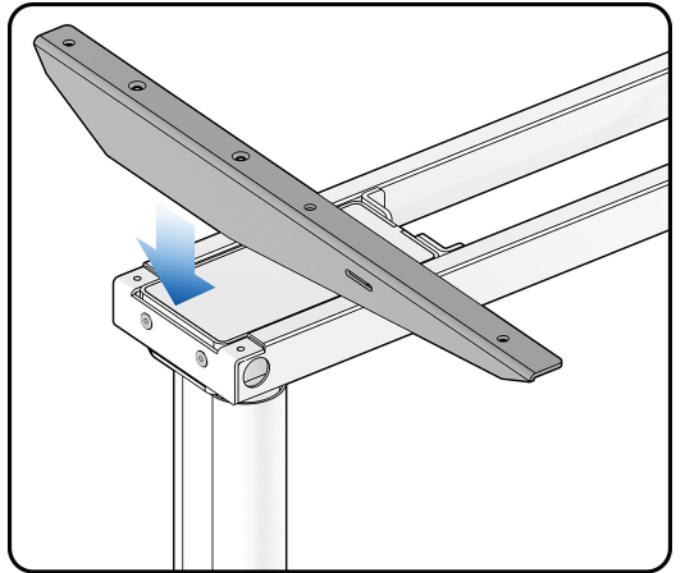
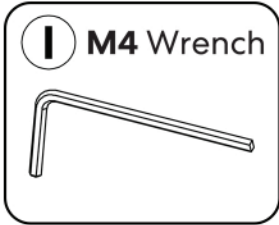


2. Easily align the screw positions by inserting 4 screws **D** (2.1) and 4 screws **A** (2.2), without tightening

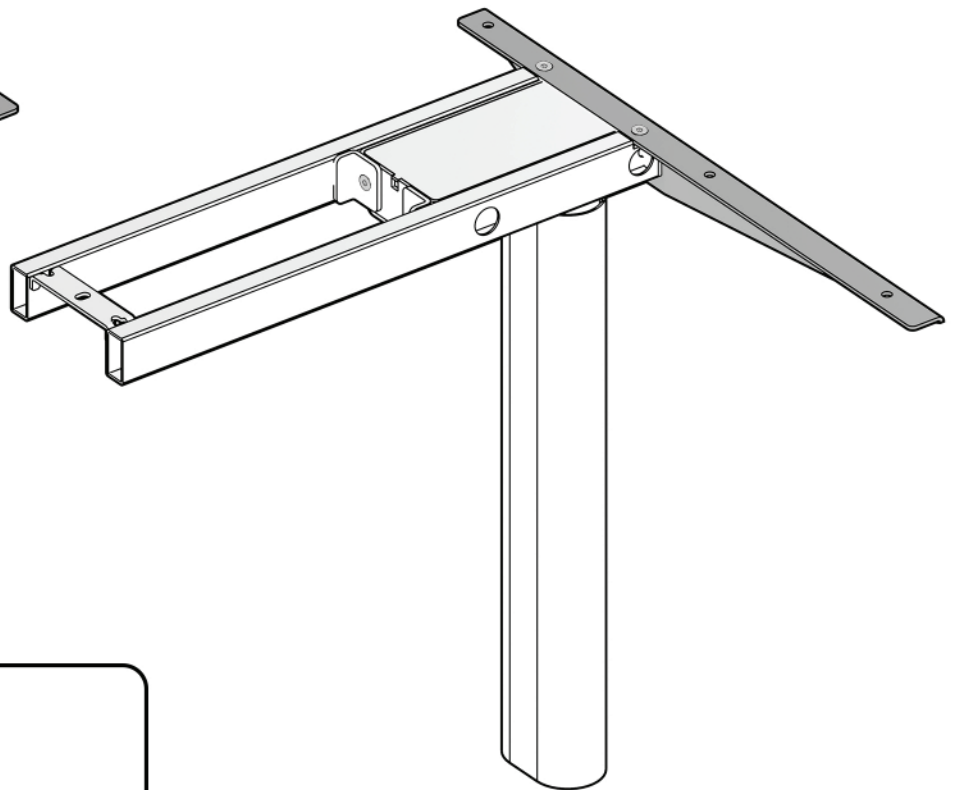
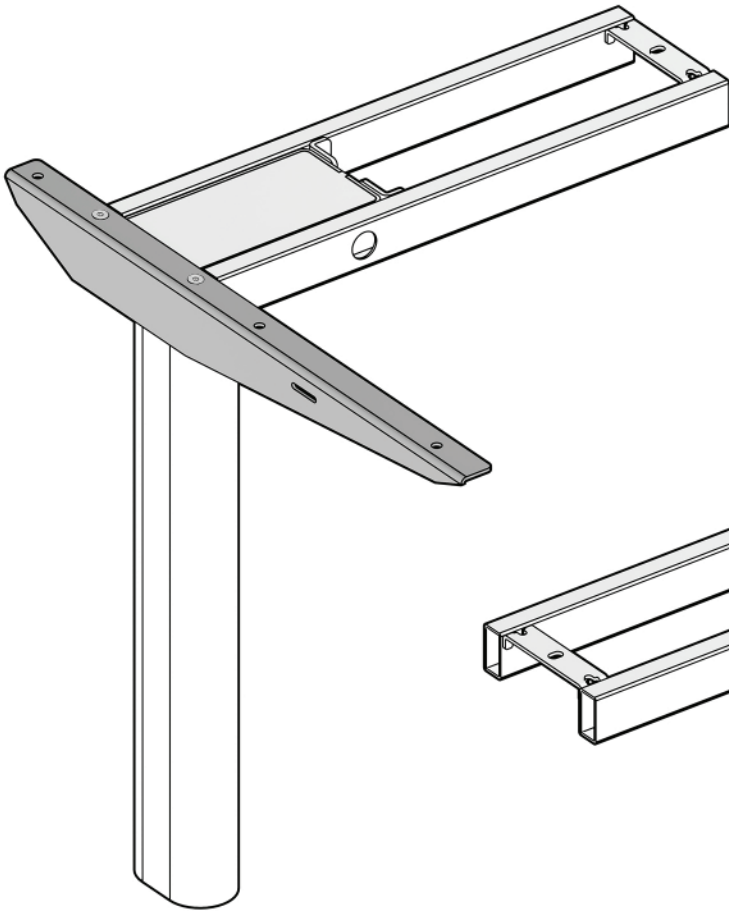


3. Tighten screws **D** (2.1) and screws **A** (2.2)

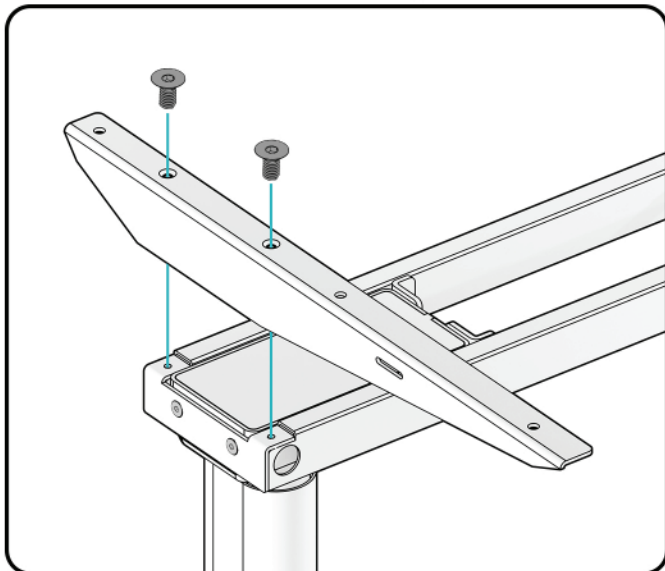
SIDE BRACKET ASSEMBLY



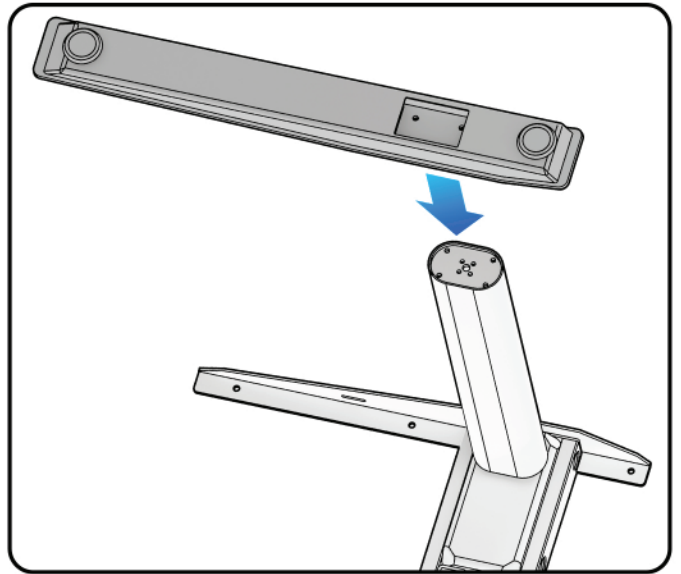
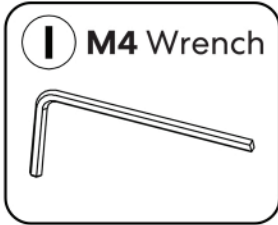
1. Attach **Side Brackets** to the **Frame**



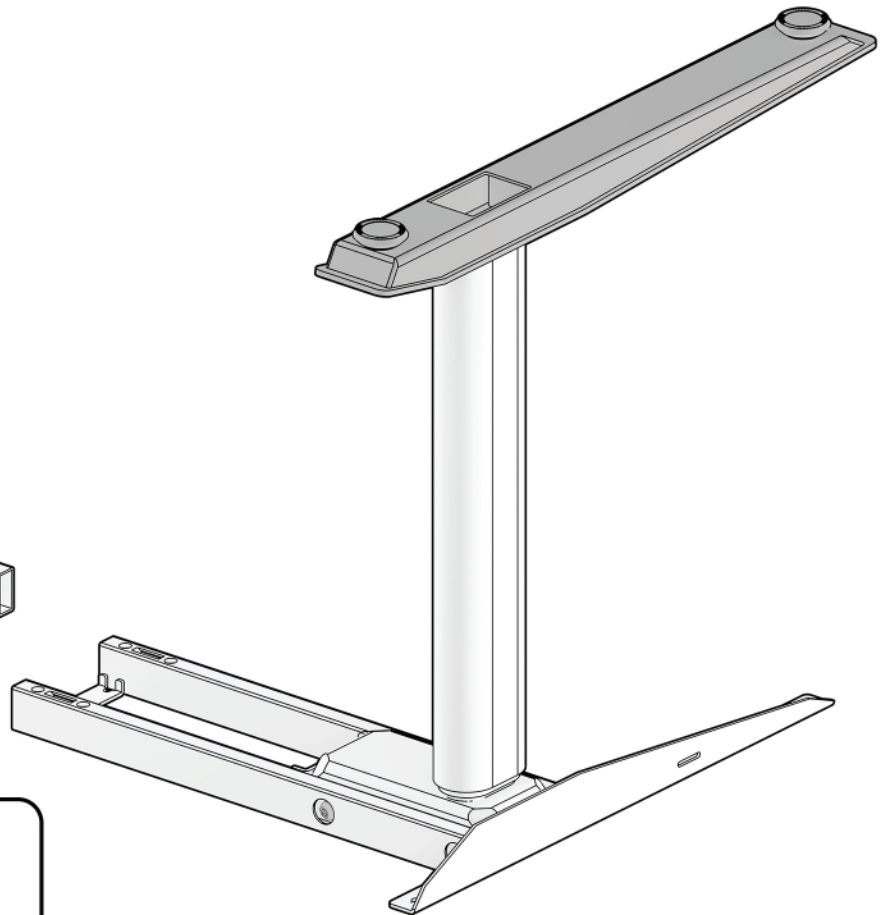
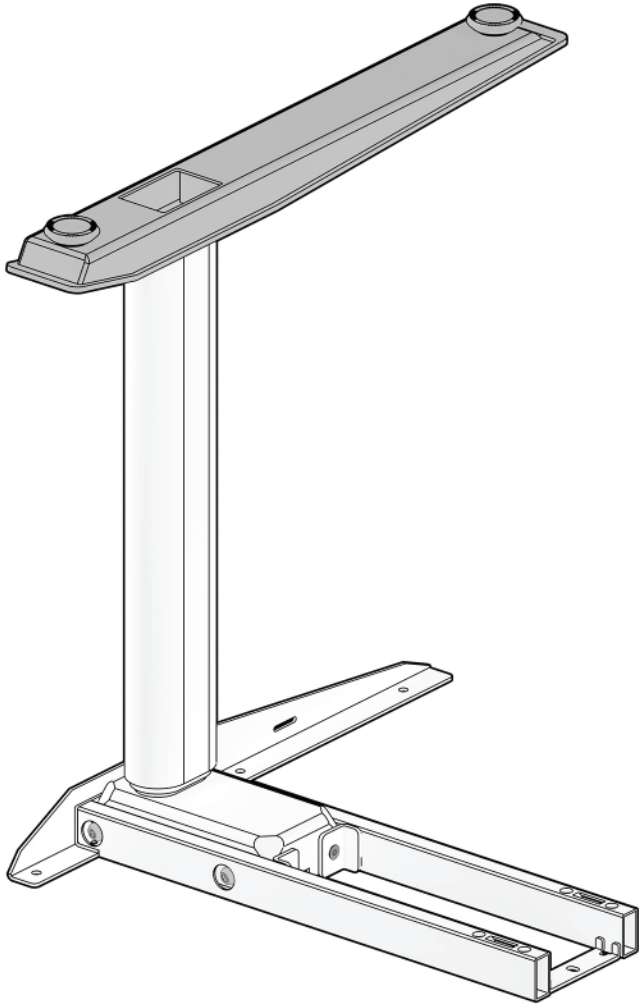
2. Insert 2 screws **D**



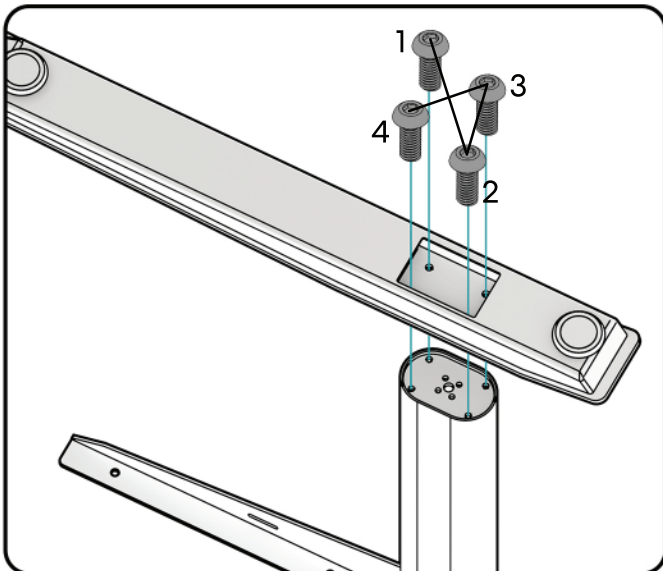
FOOT ASSEMBLY



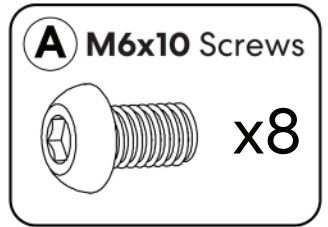
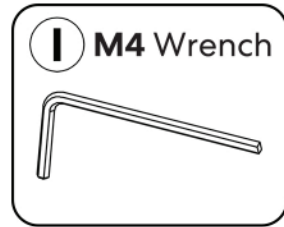
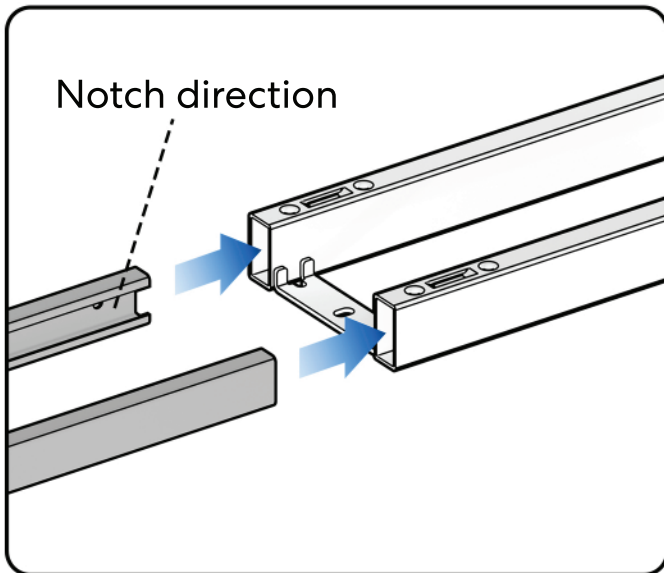
1. Attach **Feet** to **Columns**



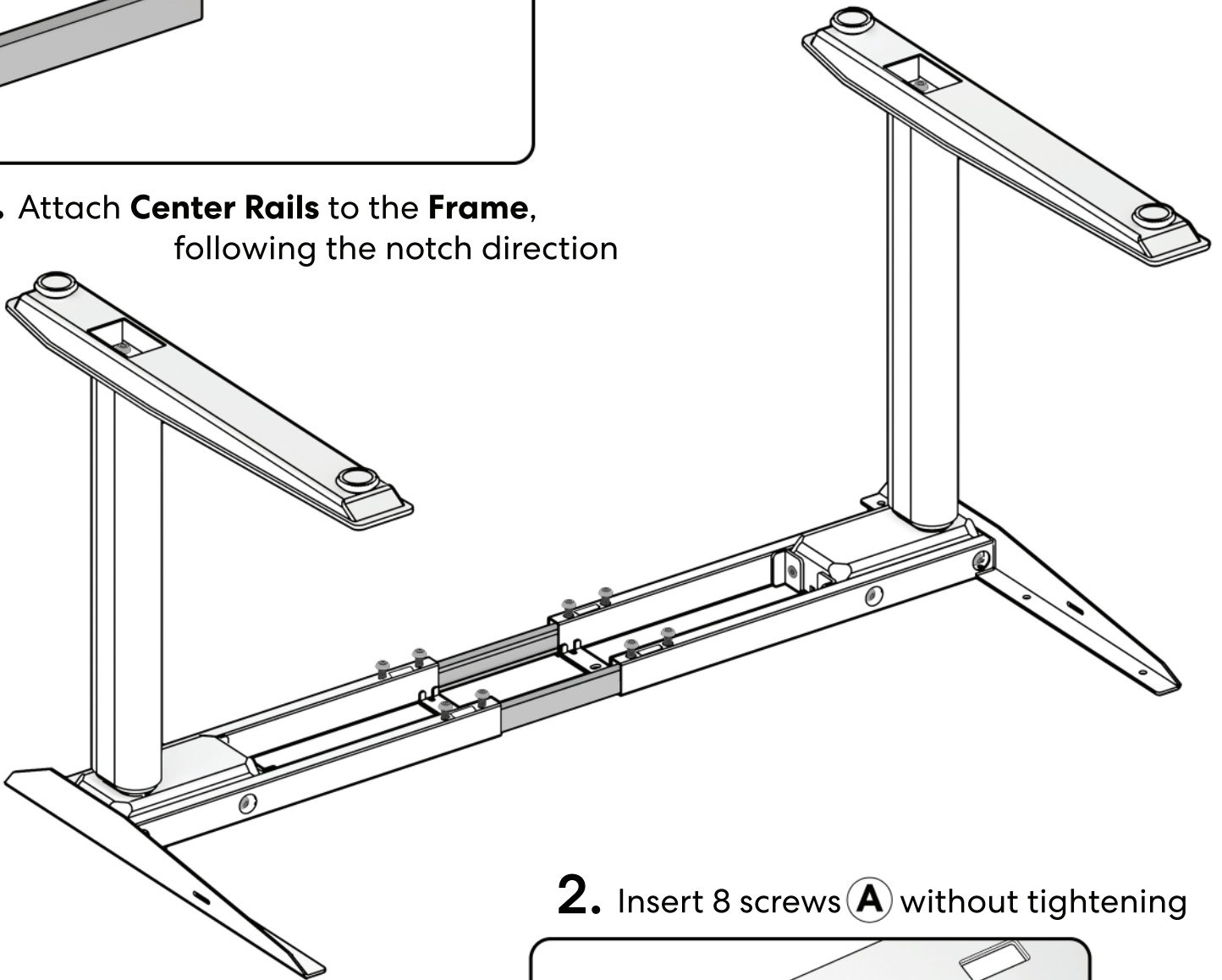
2. Insert 4 screws **C**



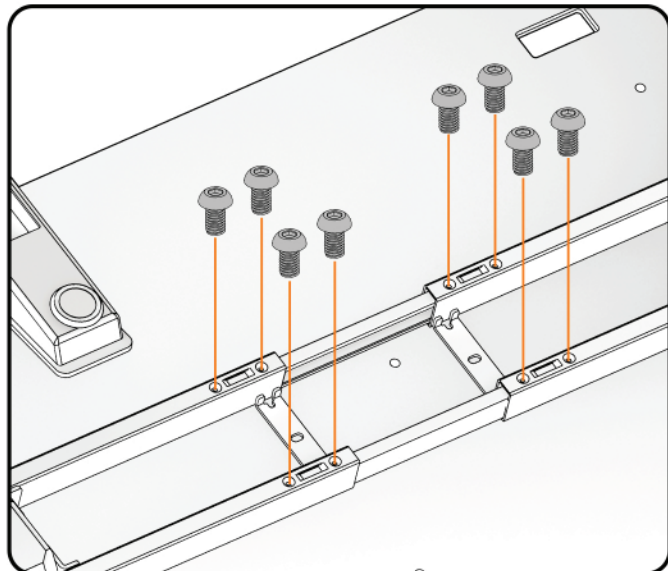
CENTER RAIL ASSEMBLY



1. Attach **Center Rails** to the **Frame**, following the notch direction



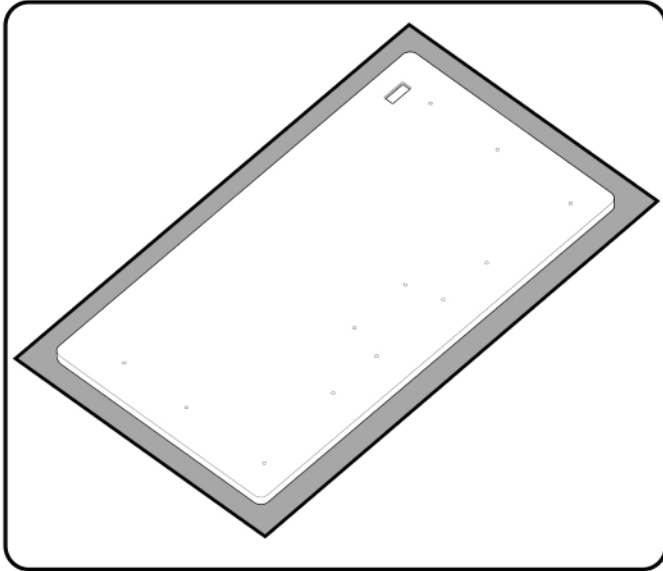
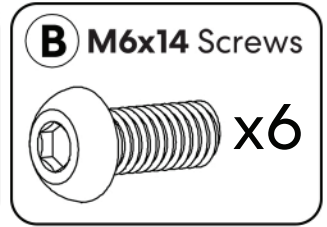
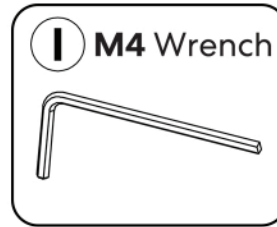
2. Insert 8 screws **A** without tightening



FRAME INSTALLATION

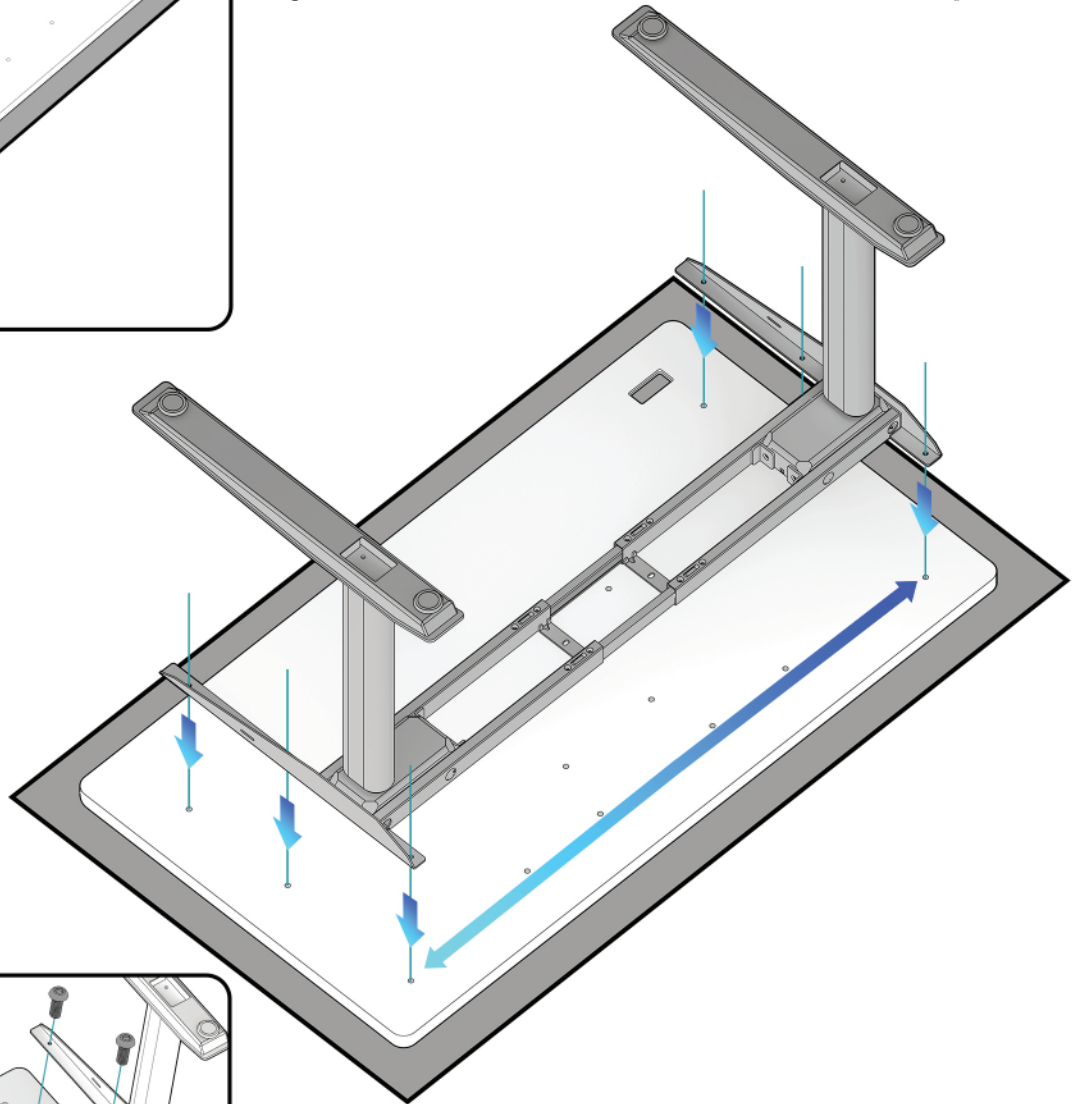


1. Place a **Foam Pad** under the **Desktop** to prevent scratches when installing

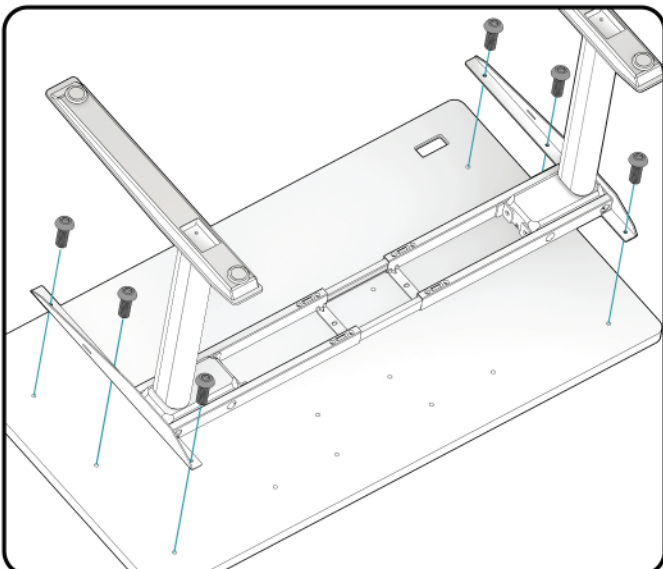


2.

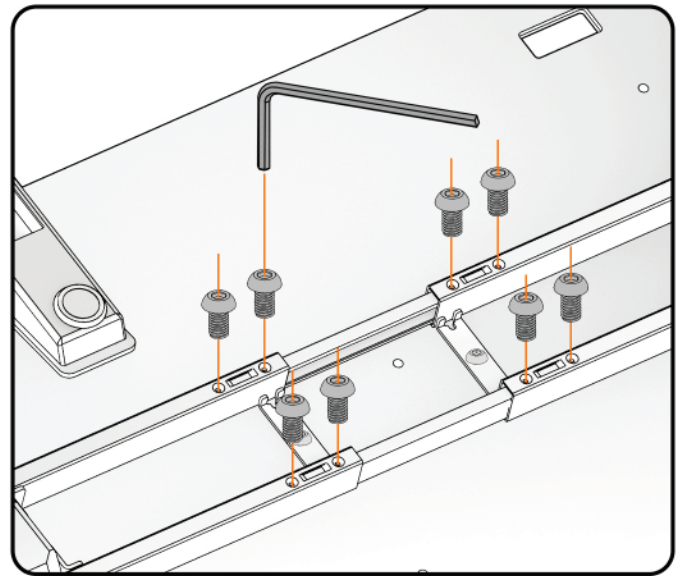
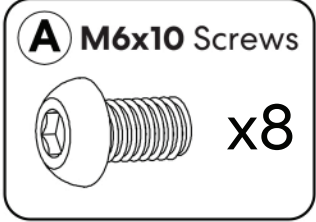
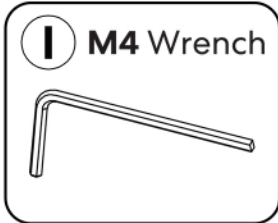
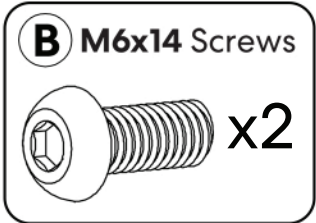
- With 2 people, position the **Frame** on the **Desktop**, align the **Side Bracket** holes with the **Desktop** holes



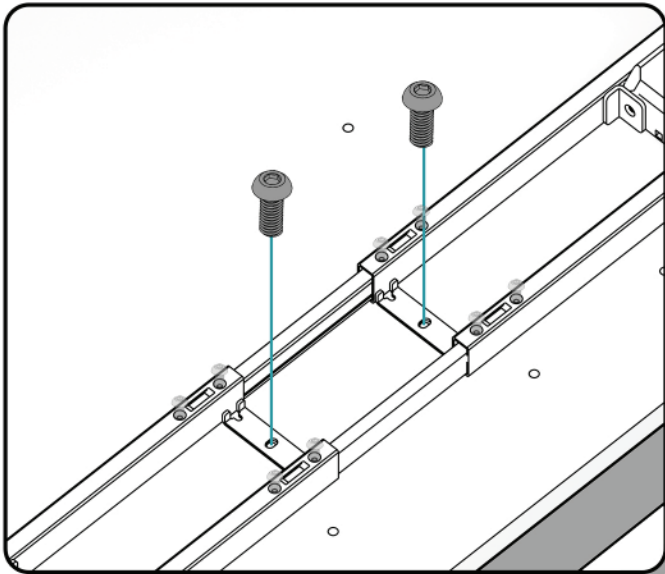
3. Insert 6 screws **B**



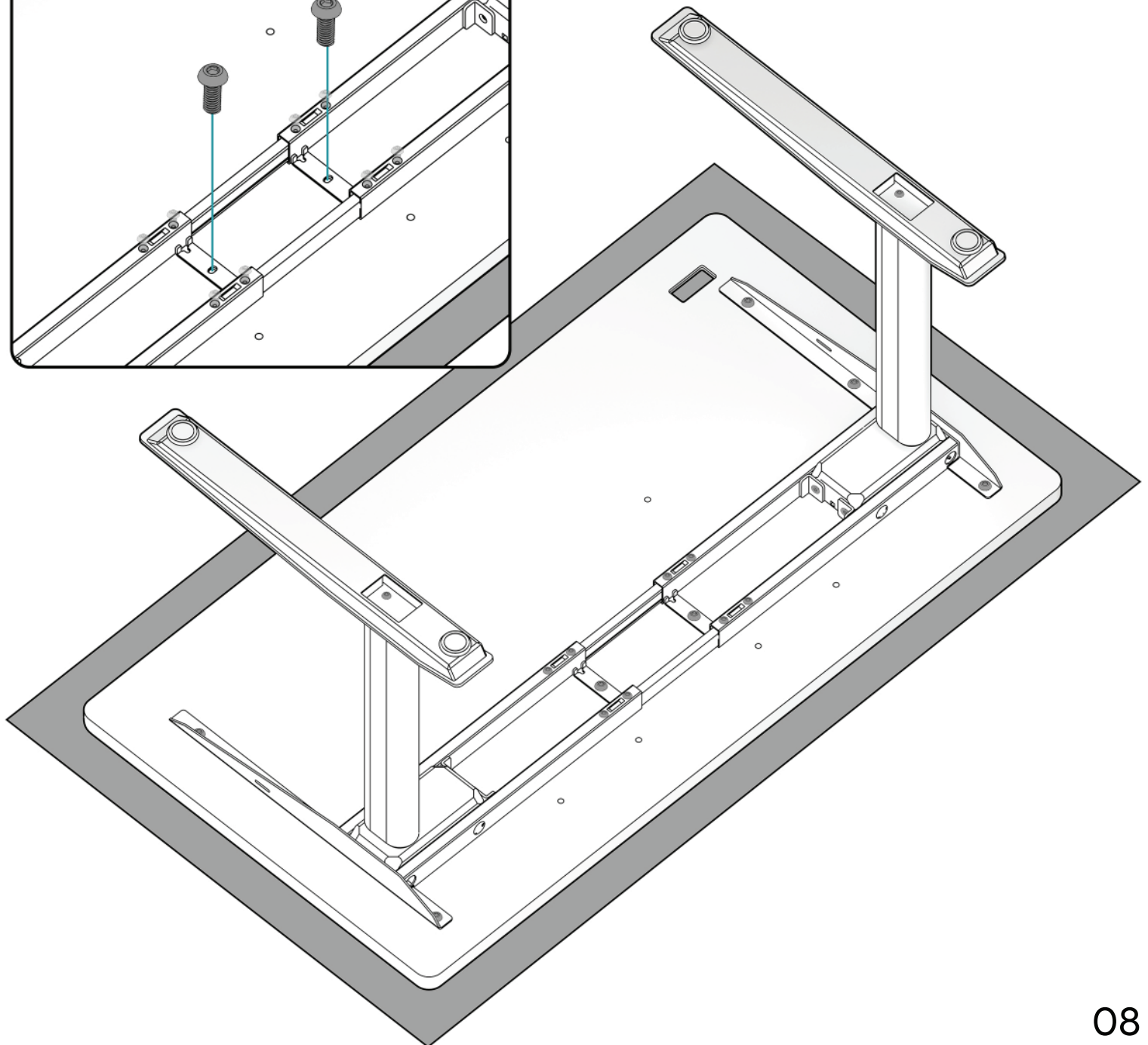
FRAME INSTALLATION



1. Insert 2 screws **B**



2. Tighten 8 screws **A**

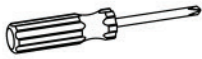


SENSOR HUB & CONTROL BOX ASSEMBLY

G M3x14 Screws



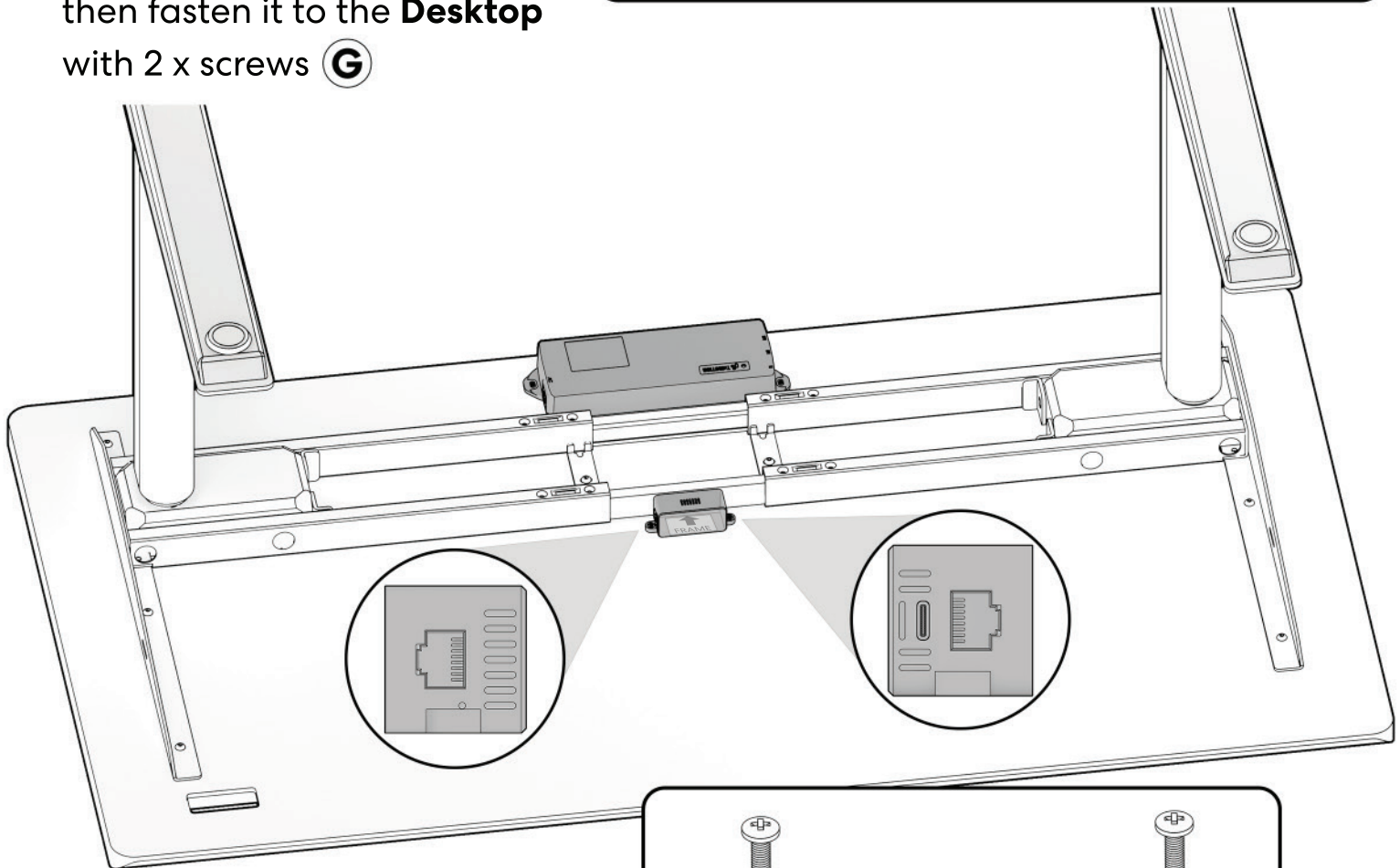
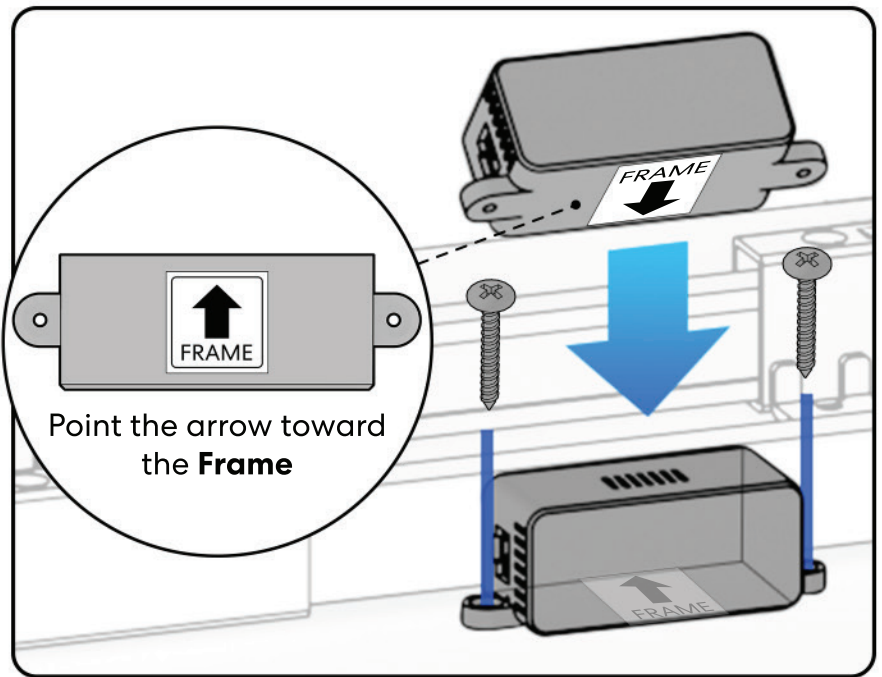
H Screwdriver



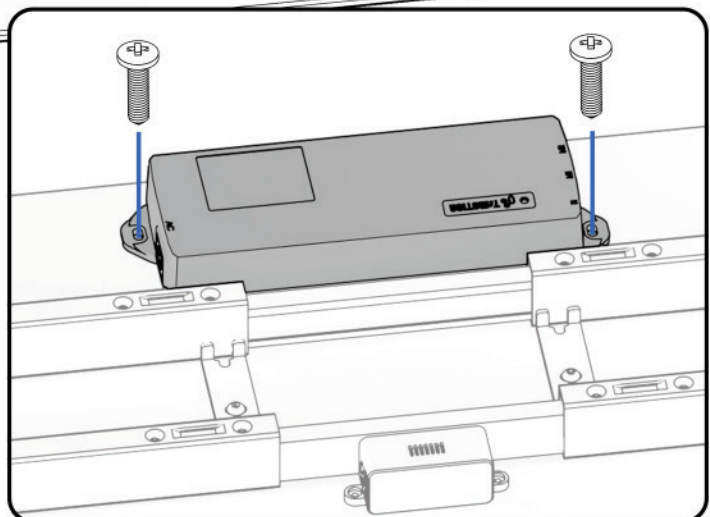
E ST5x20 Screws



1. Center the **Sensor Hub** using double-sided tape (arrow toward the frame), then fasten it to the **Desktop** with 2 x screws **G**



2. Attach **Control Box** to **Desktop** using 2 x Screws **E**

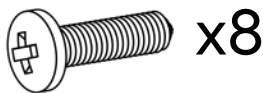


CABLE TRAY ASSEMBLY

F ST3.5x16 Screws



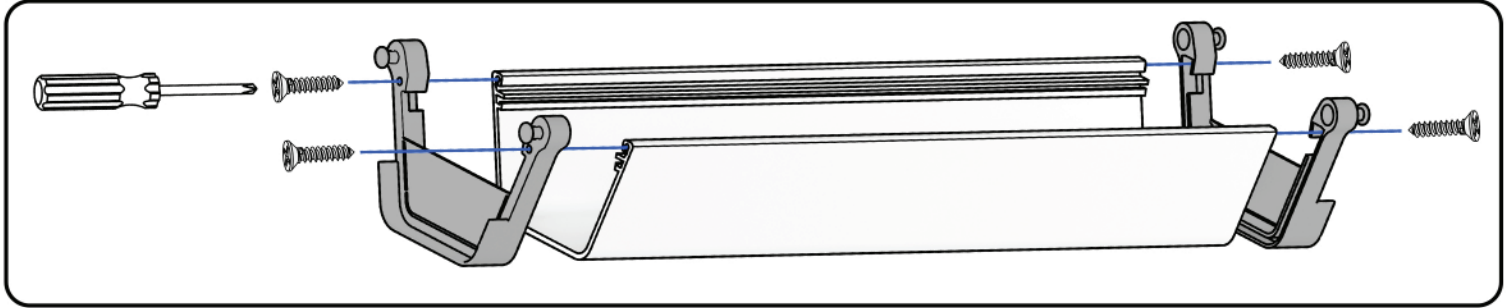
E ST5x20 Screws



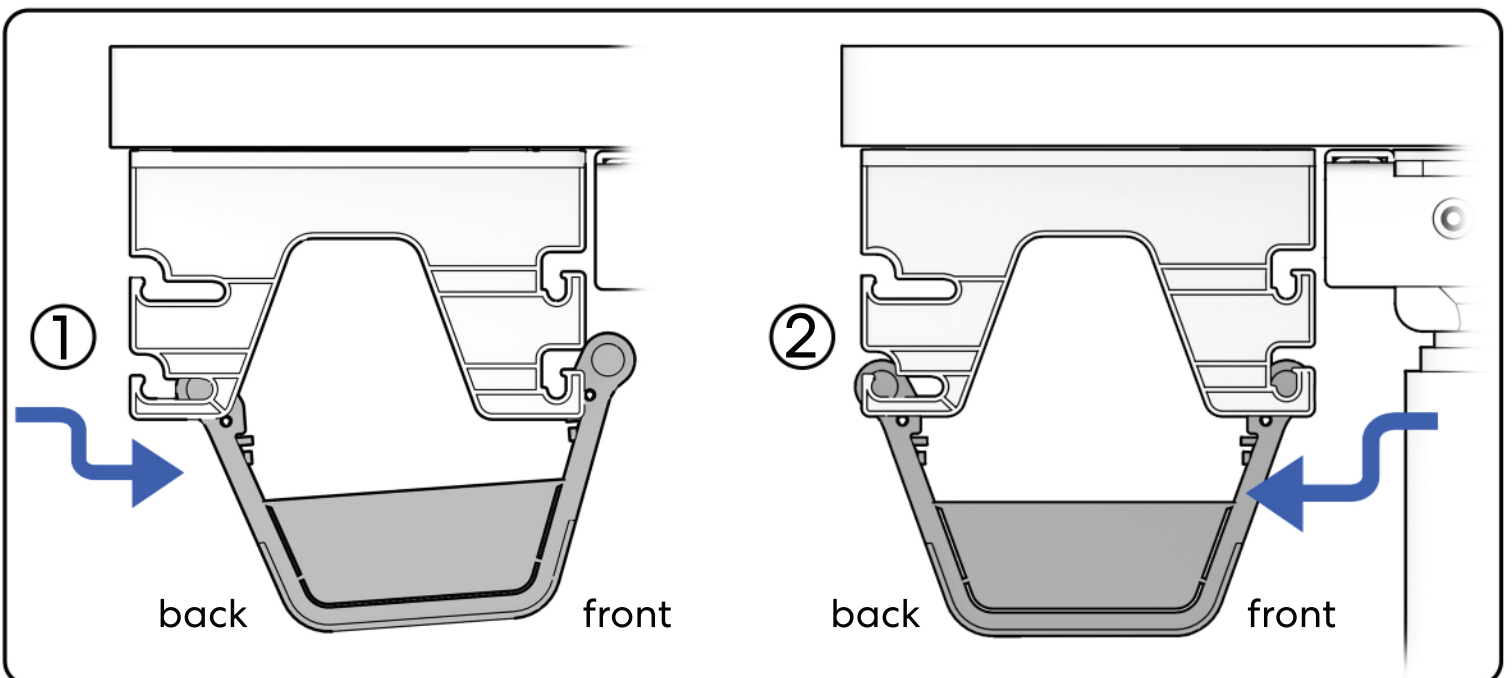
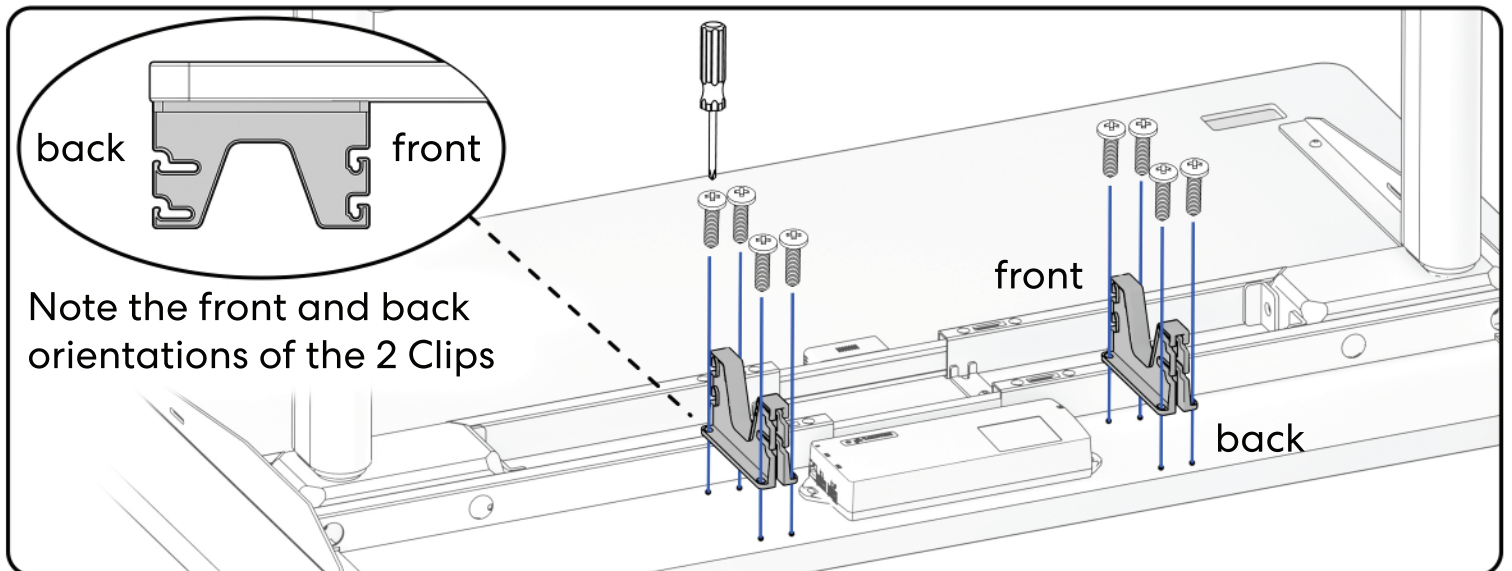
G Screwdriver



1. Attach 2 x **End Caps** to **Cable Tray** using 4 x Screws **F**



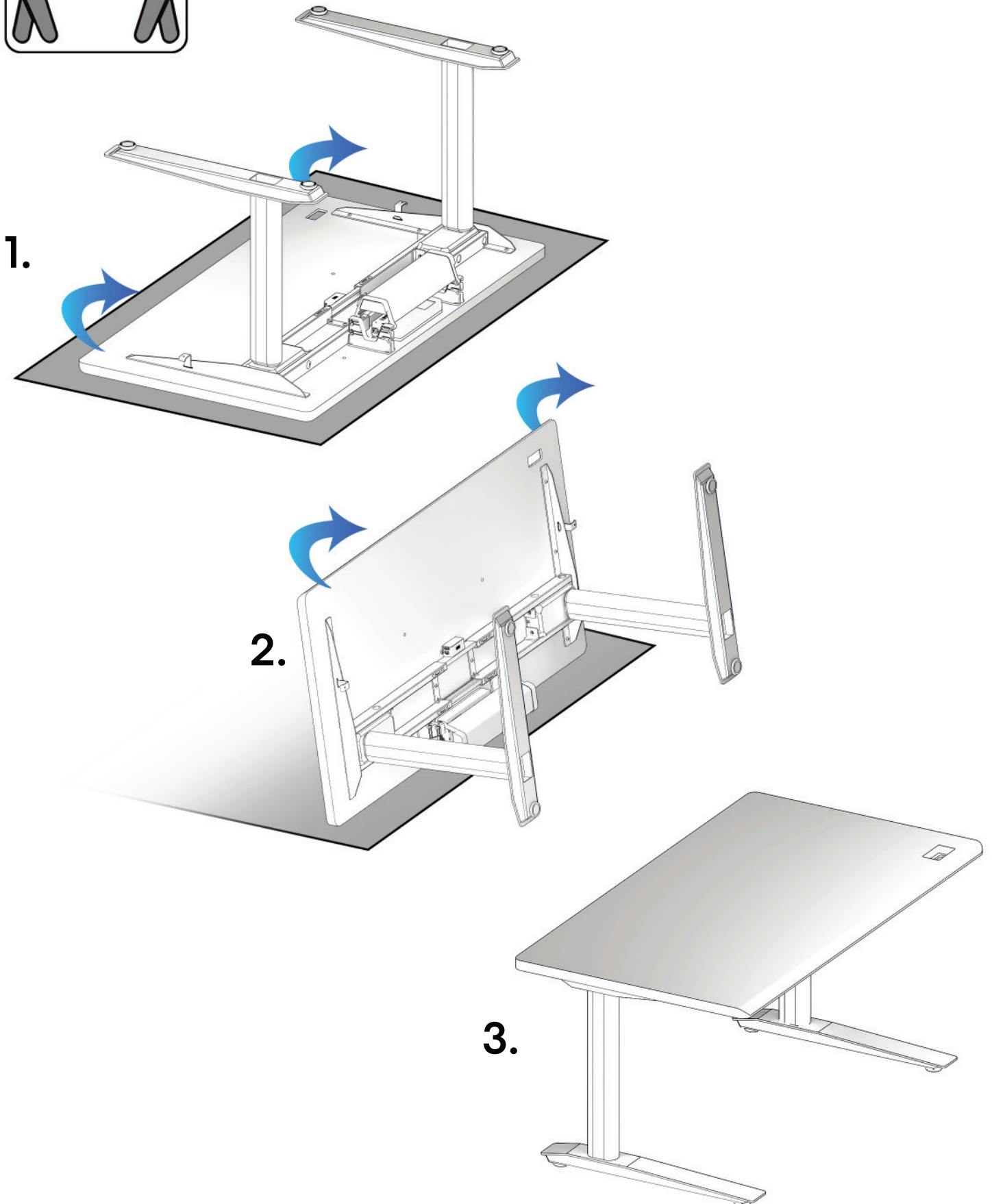
2. Attach 2 x **Clips** and **Control Box** to **Desktop** using 8 x Screws **E**



3. Hang & secure the **Cable Tray** onto the **Clips**, as shown above

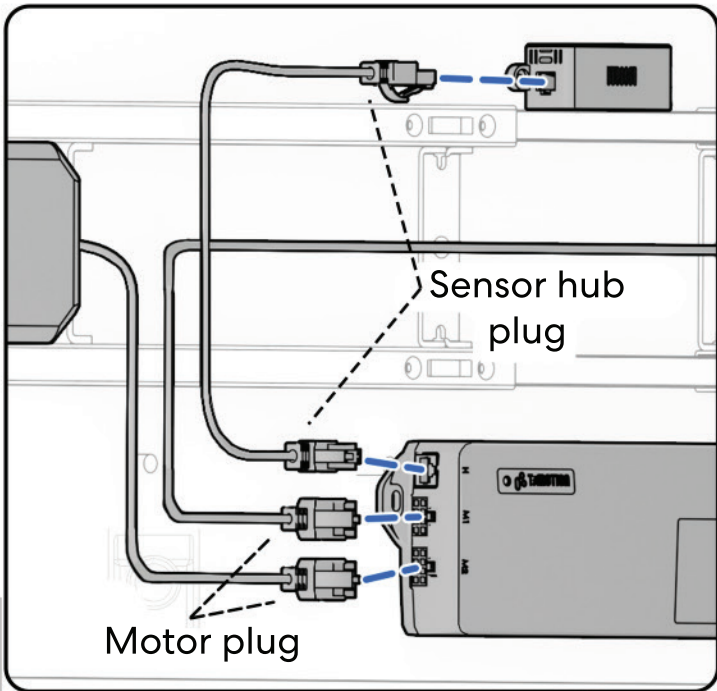


Note: Make sure all screws are tight, then flip upright. Keep the **Foam Pad** under the **Desktop** during flipping to prevent scratches.

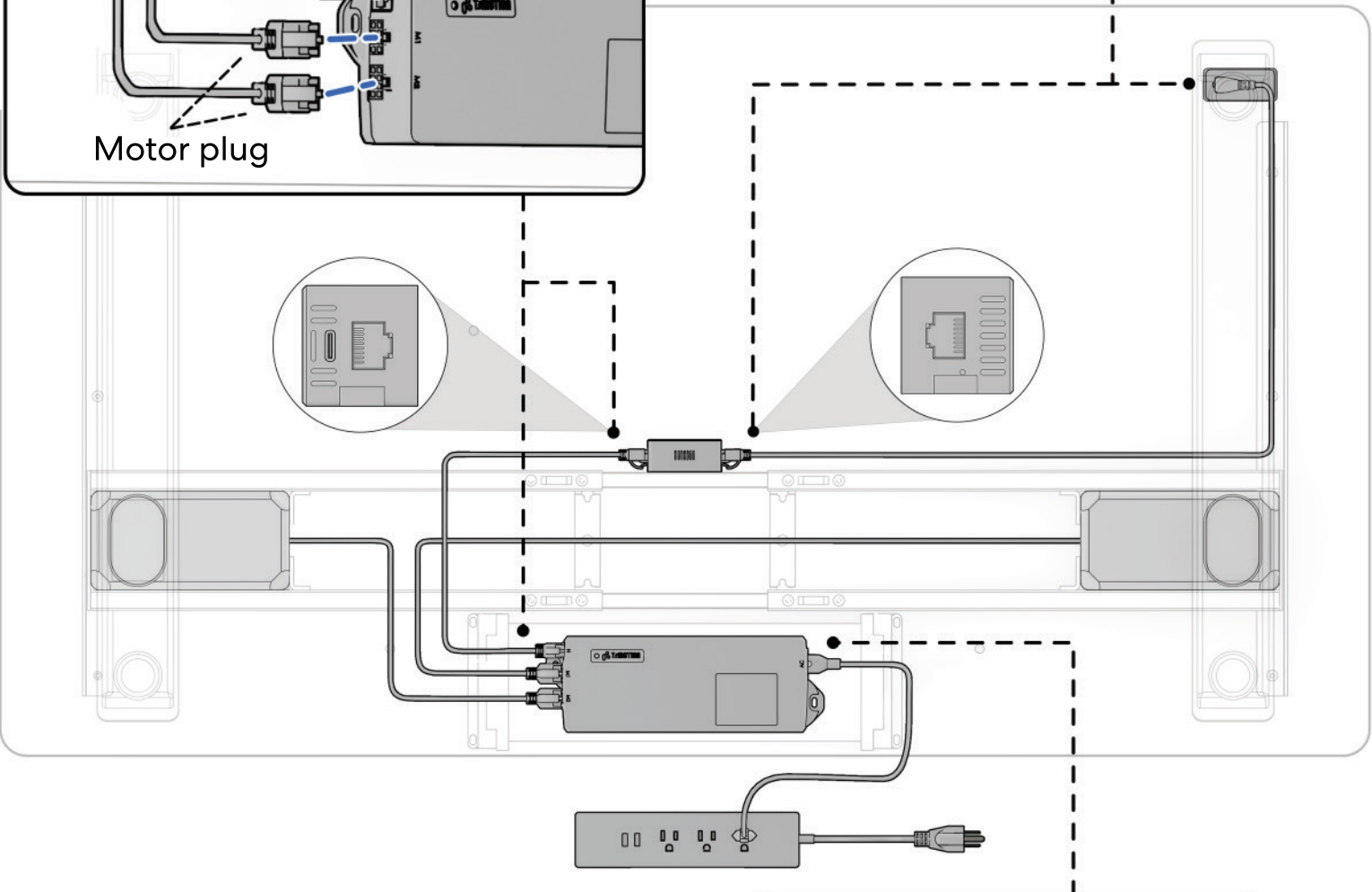
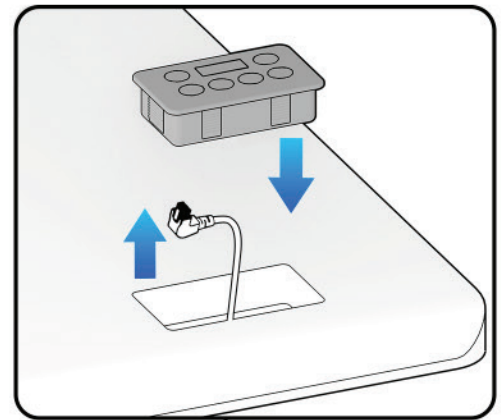


CABLE MANAGEMENT

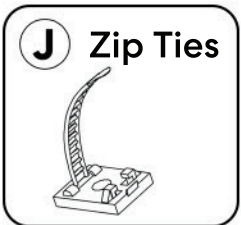
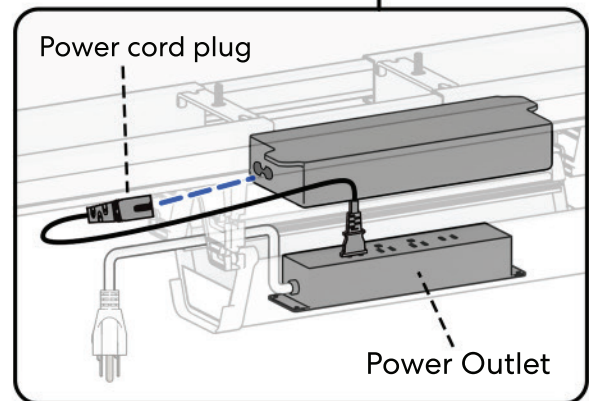
1. Plug **Motor Cords** into the **Control Box**. Plug **Sensor Hub Cord** into the **Control Box & Sensor Hub**



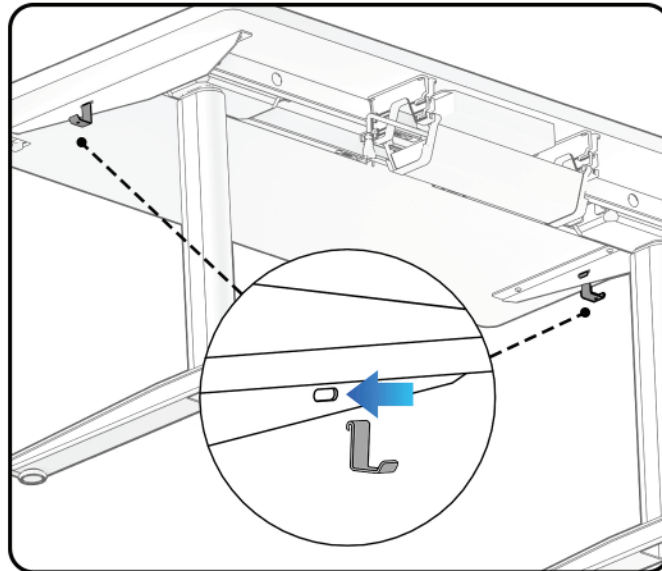
2. Route the **Keypad Cable** through the **Desktop &** plug it in the **Sensor Hub**



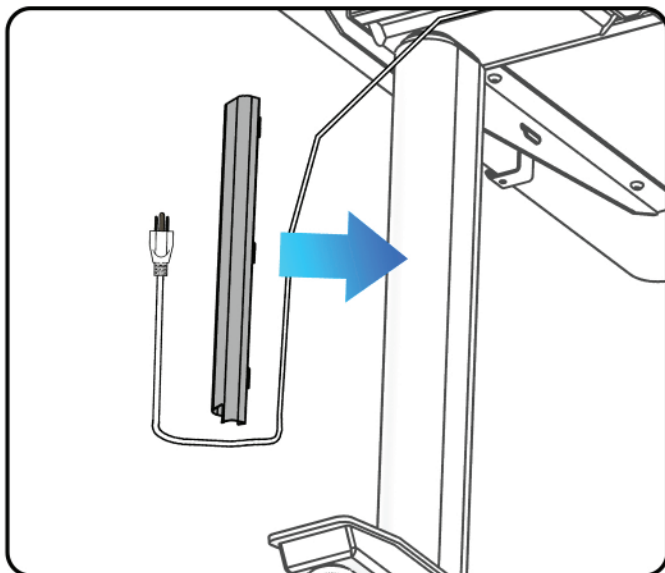
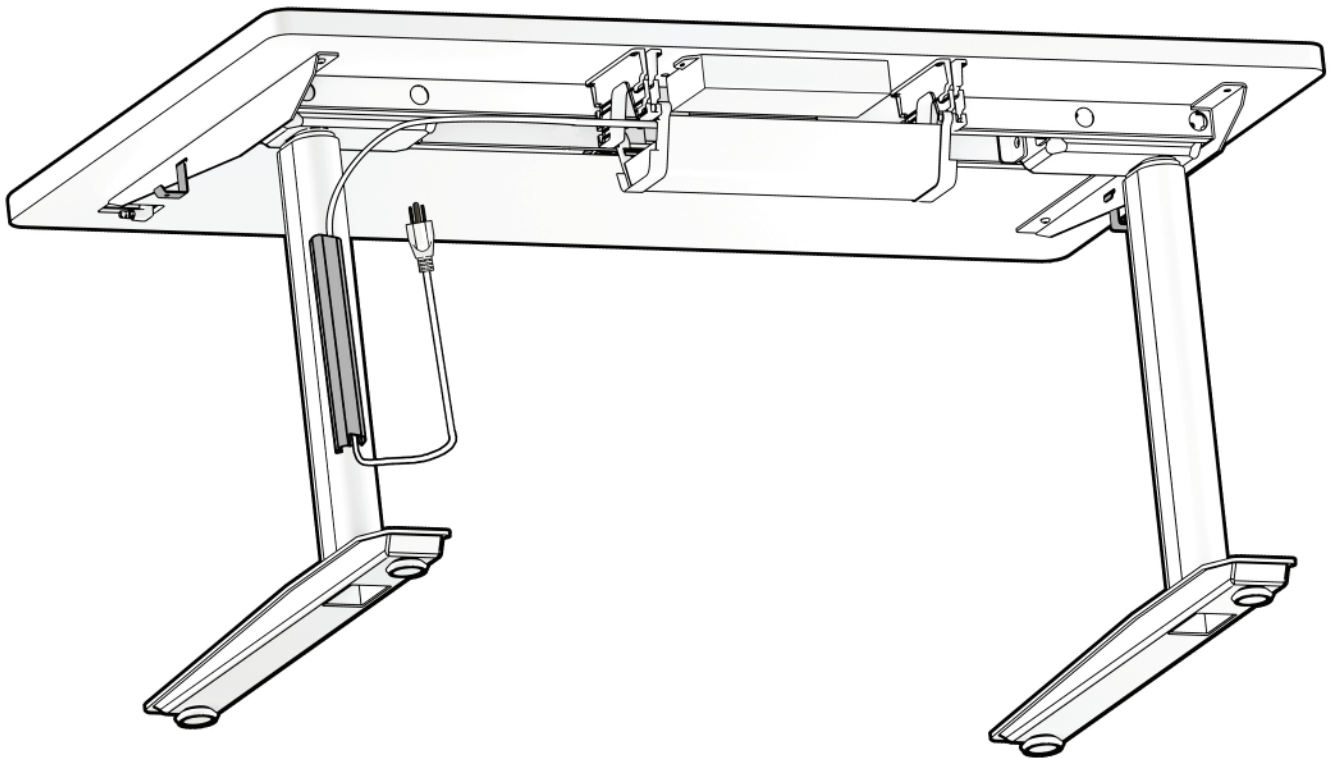
3. Plug the **Power Cord** into the **Outlet**. Place the **Outlet** in the **Cable tray**



Note: Use **Zip Ties** to bundle the cables neatly



1. Attach the **Hooks** to the **Side Brackets**

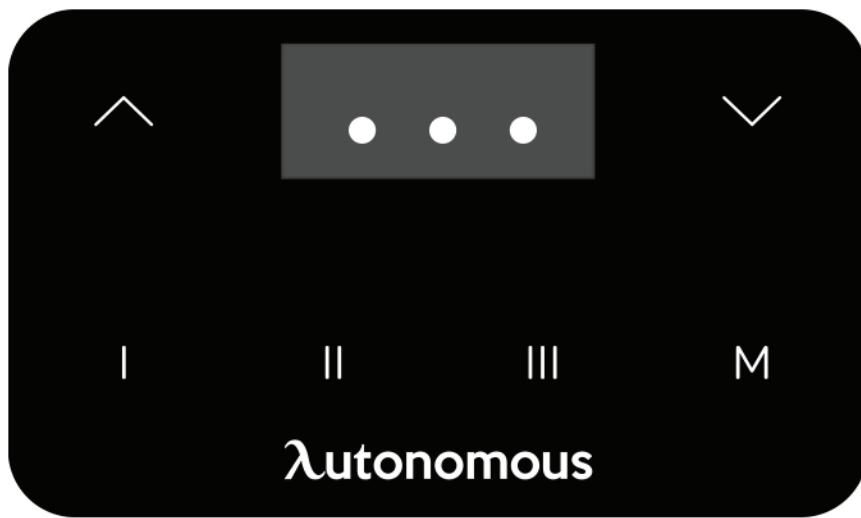


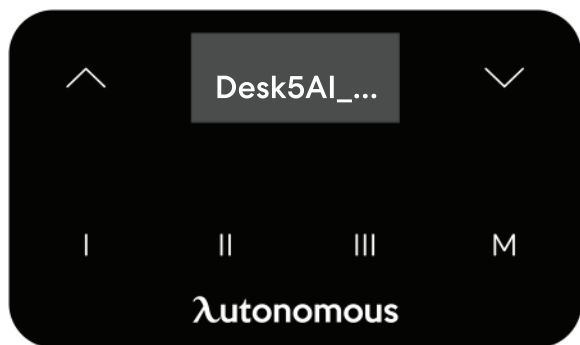
2. Attach the **Upper Tube** to a **Column**



*Note: The **Power Cord** should be put through the **Upper Tube** before attaching*

1. Press & hold  + 

2. Release when there is a "short beep" sound to complete reset.





1. Scan the **QR code** to download & install the **Autonomous app** (iOS/Android):
2. On the **Keypad**, press & hold  +  for 5 seconds to enter pairing mode
3. You'll see: the screen shows “Desk5AI_...” and the buttons blink green
4. In the **Autonomous app**, go to **Devices** → **Add New Device** → **Desk AI**, then follow the on-screen steps to finish setup

Keypad Display Overview

29.5

Shows your current desk height

90

Workspace Score

A live score from real-time sensor data to help keep your workspace comfortable and productive



Move

Reminds you to take a quick walk to break up long sitting and reset



Stretch

Suggests short stretches to reduce stiffness and stay mobile



Sit

Reminds you to sit and recover after standing, helping prevent fatigue



Stand

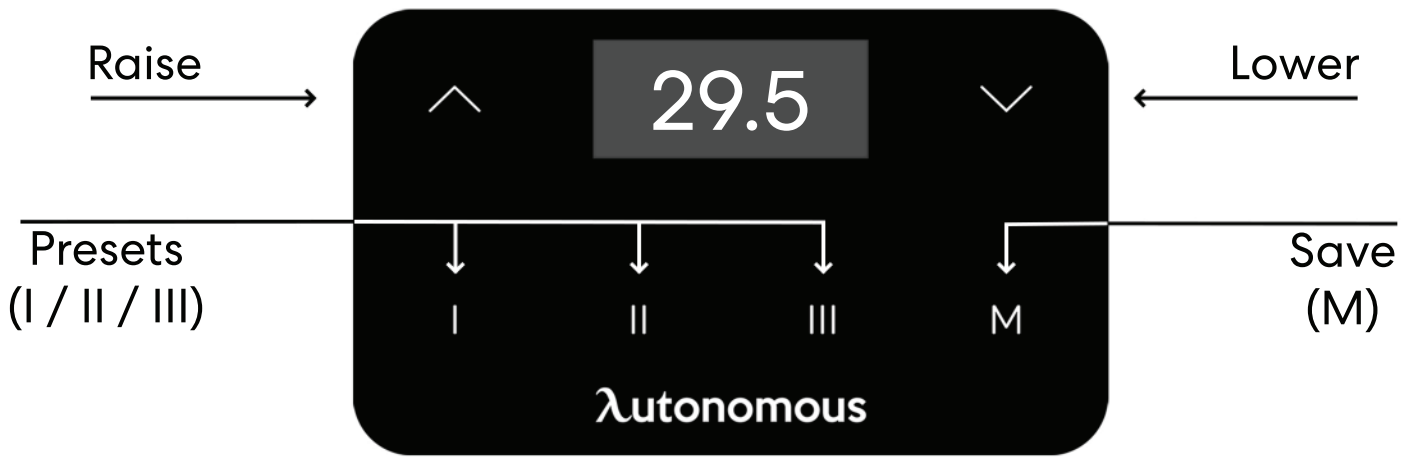
Reminds you to stand regularly to support circulation and steady energy





Hydrate

Reminds you to drink water to stay focused and refreshed






HEIGHT ADJUSTMENT & MEMORY SETUP



Adjust height:

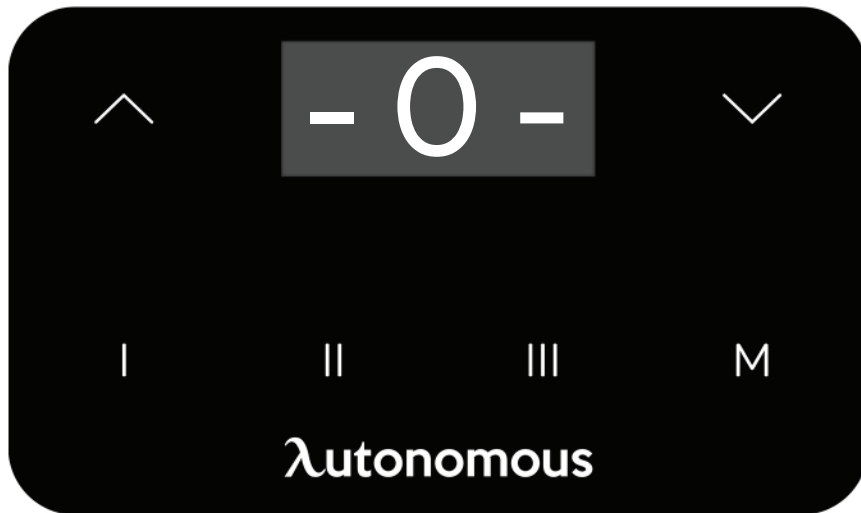
1. Press  to raise the desk or  to lower it.
Release to stop at the height you want






Save a height:

2. Press & hold  for 3 seconds
until the display shows  (save mode)
3. Press ,  or  to save the current height to that button

ANTI-COLLISION LEVEL SETTINGS

The Anti-collision setting prevents damage and accidents by stopping the desk if it hits something, becomes uneven, or tilts.



1. Press & hold  +  until the display shows 
2. Press  or  to adjust sensitivity. For the smoothest operation, we recommend setting the anti-collision back to level 1.

0 = Deactivating Sensi Touch

9 = Most Sensitive

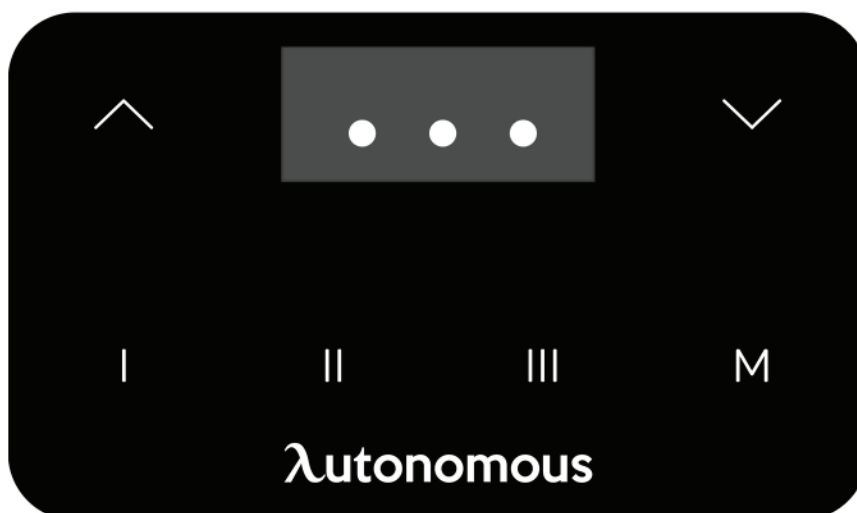
3. Wait for 5 seconds to save

The settings below will restore to the original factory settings:

- Memorized position
- Desk starting height
- Sensor Sensitivity

1. Press & hold  + 

2. Release when there is a "long beep" sound to complete reset.



Error Code	Descriptions
E00	Not reset completely
E01	Overuse protection
E02	Unbalance protection
E03	Anti-collision
E04	Sensor protection
E11	M1 Motor over-current protection
E12	M2 Motor over-current protection
E21	No Hall sensor from M1
E22	No Hall sensor from M2
E31	No current from M1
E32	No current from M2

Any questions?

Chat with our Customer Support team at
www.autonomous.ai/help-center

We're here to help!