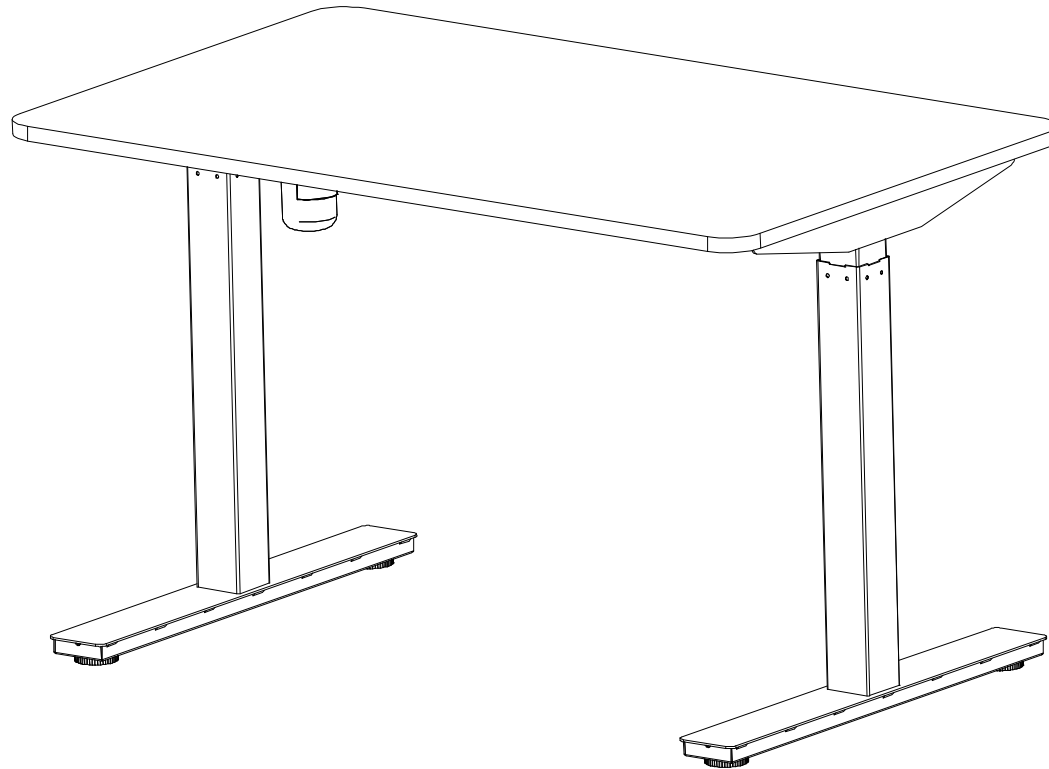


Autonomous

smart office

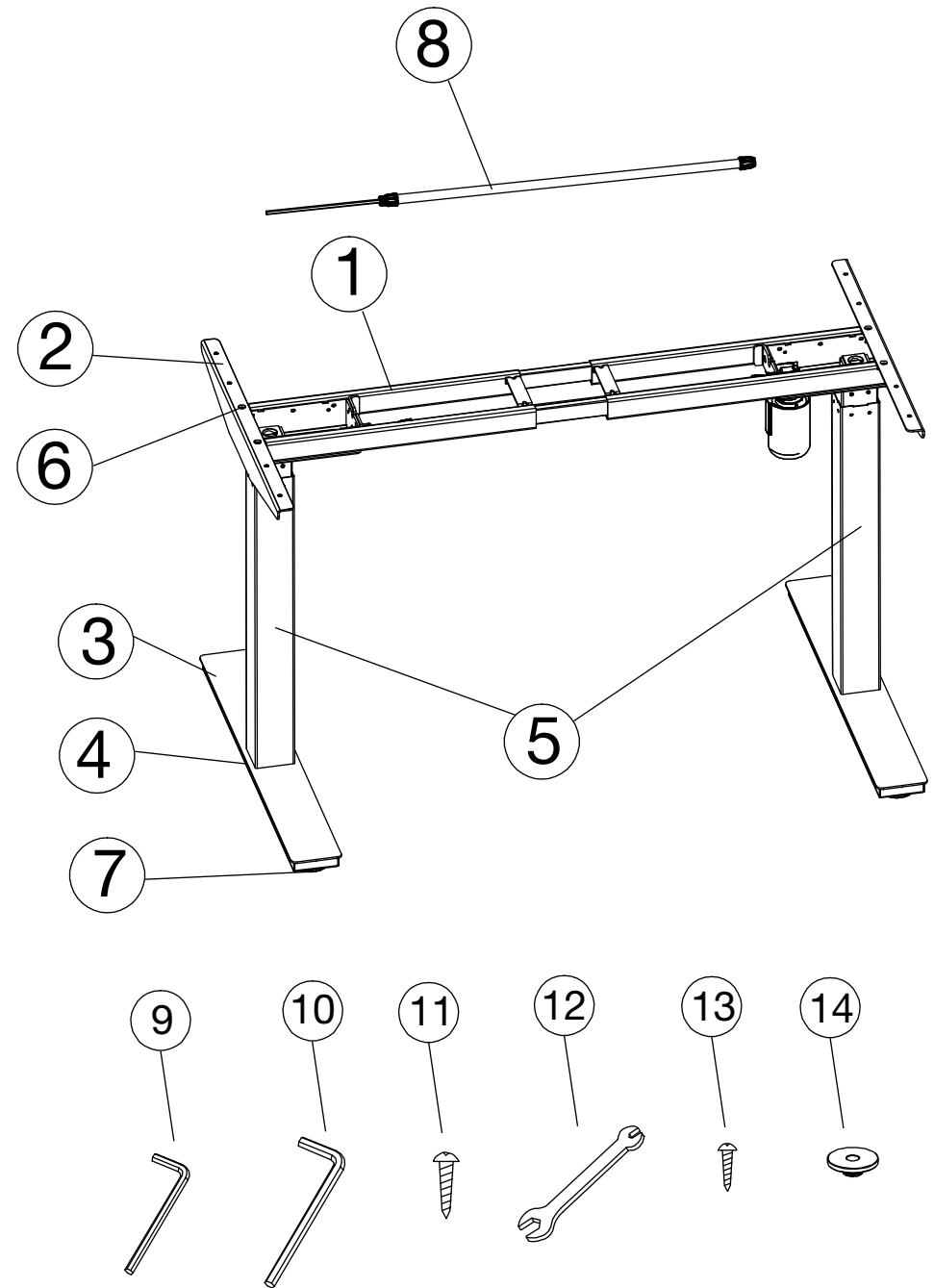


SmartDesk - Home Edition

Assembly & Instructions

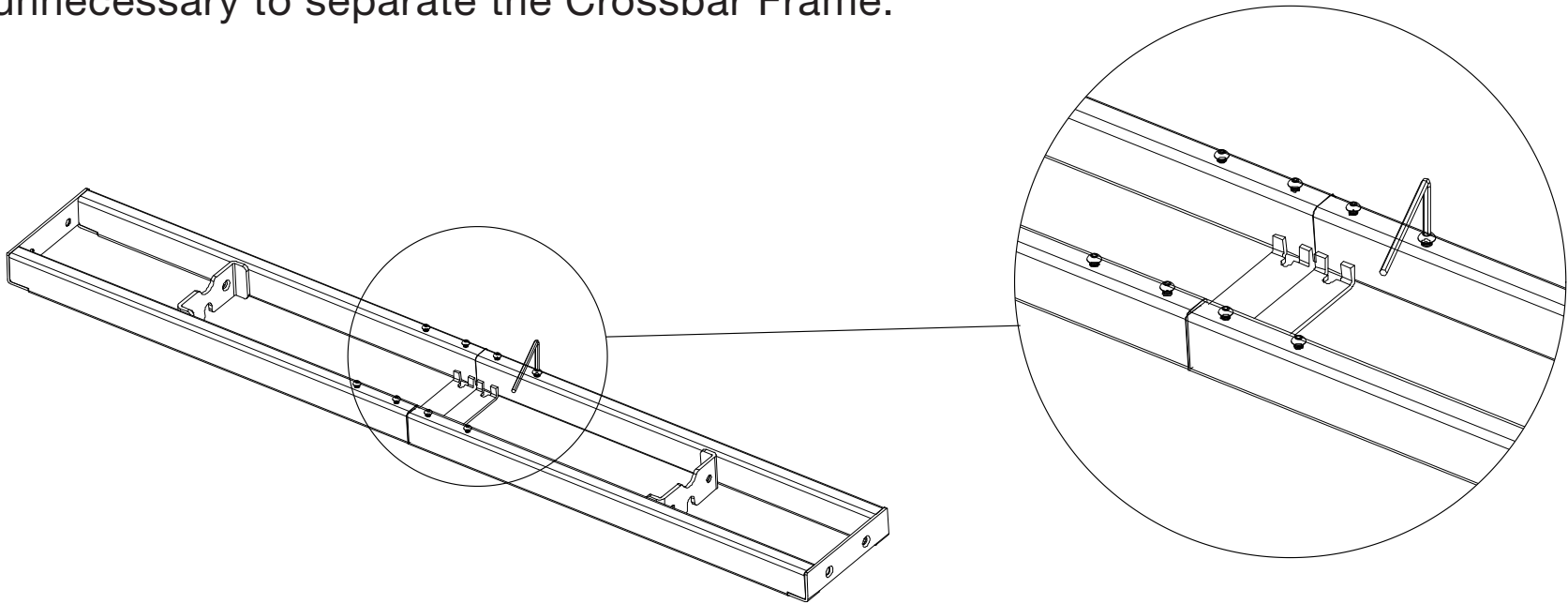
Parts and Tools list

No.	Description	Qty
1	Crossbar Frame	1
2	Side Bracket	2
3	Foot	2
4	M8*16 Screws	8
5	Leg	2
6	M6*12 Screws	12
7	Fixed Foot Pad	4
8	Driveshaft	1
9	4 mm Hex Allen	1
10	5 mm Hex Allen	1
11	Wood Screws ST4.8*19	14
12	Wrench	1
13	Wood Screws ST3.5*19	2
14	Noise Canceling Pad	12
15	Control Box	1
16	Keypad	1
17	Power Cord	1

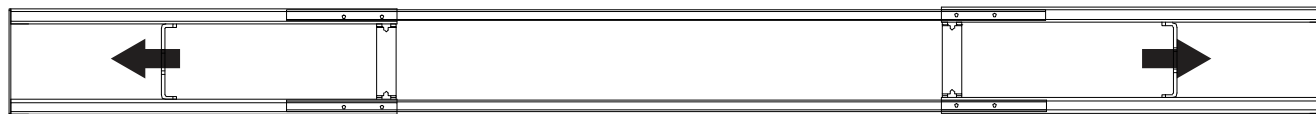


Step 1

Use the Allen Wrench to loosen eight M6x10 screws on Crossbar Frame (P1).
Slide two Crossbar Ends along Crossbar Rails following the arrow below.
It is unnecessary to separate the Crossbar Frame.



ADJUST TO DESIRED LENGTH



Crossbar End

Crossbar Rail

Crossbar End

Step 2

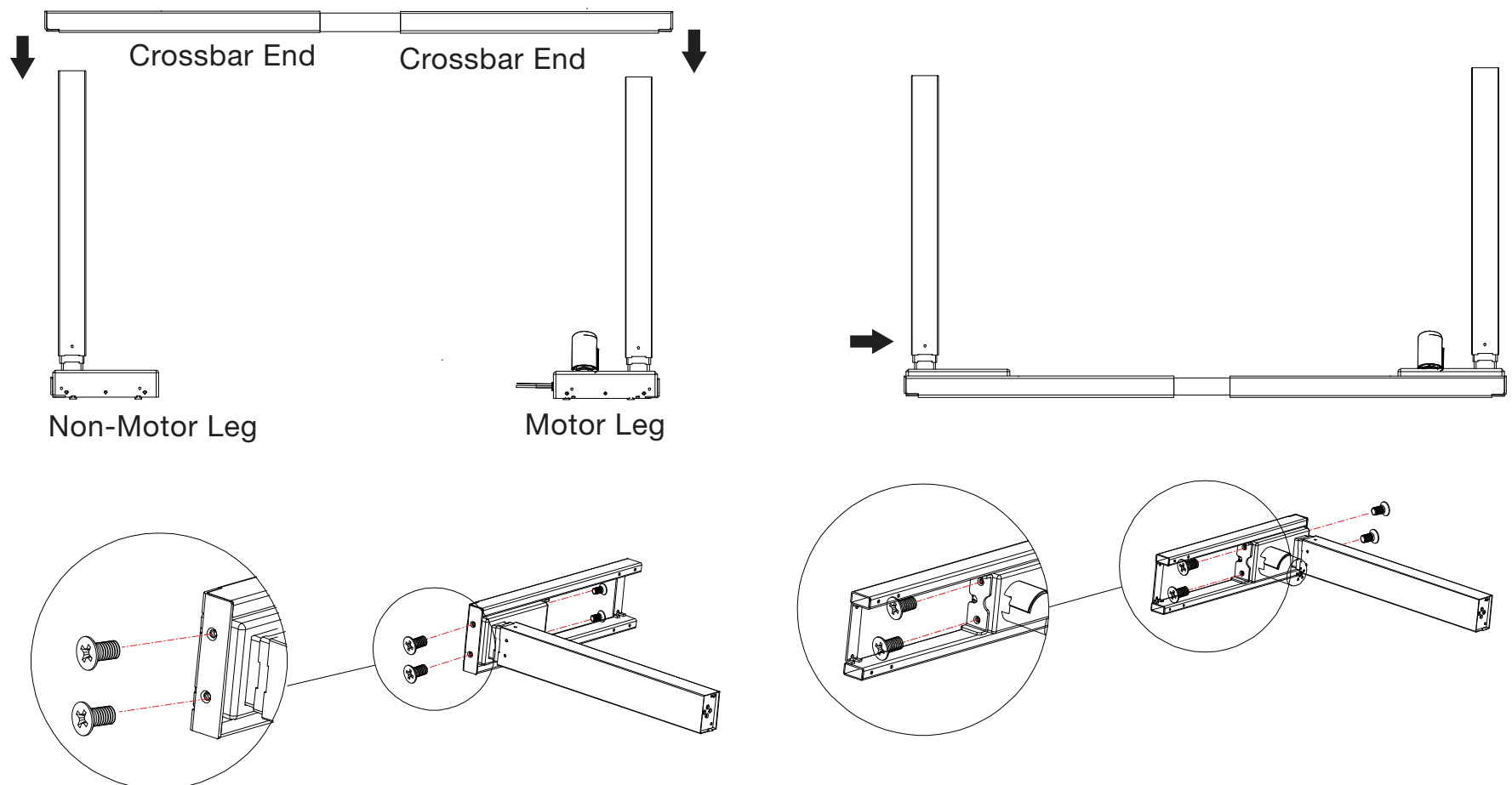
Turn the Legs (P5) upside down on their sides.

Place the Crossbar Ends from Step 1 into the Legs following direction as below pictures.

When positioned correctly, the mount tabs of Crossbar Ends will be facing up.

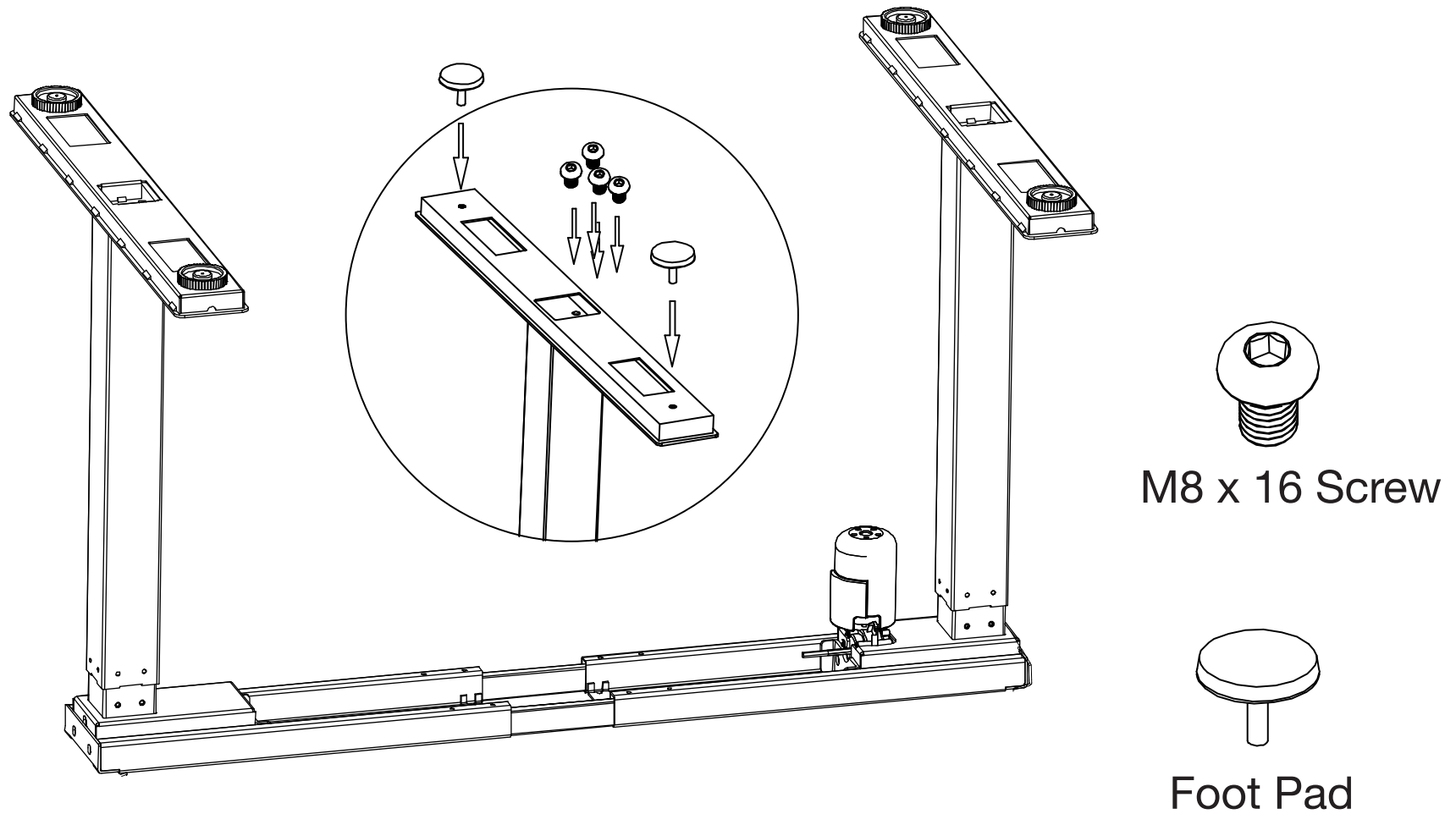
Insert eight M6x12 screws (P6) into Crossbar Ends - 4 for each side.

Flip the Legs to gain access to all screws and firmly secure both legs.



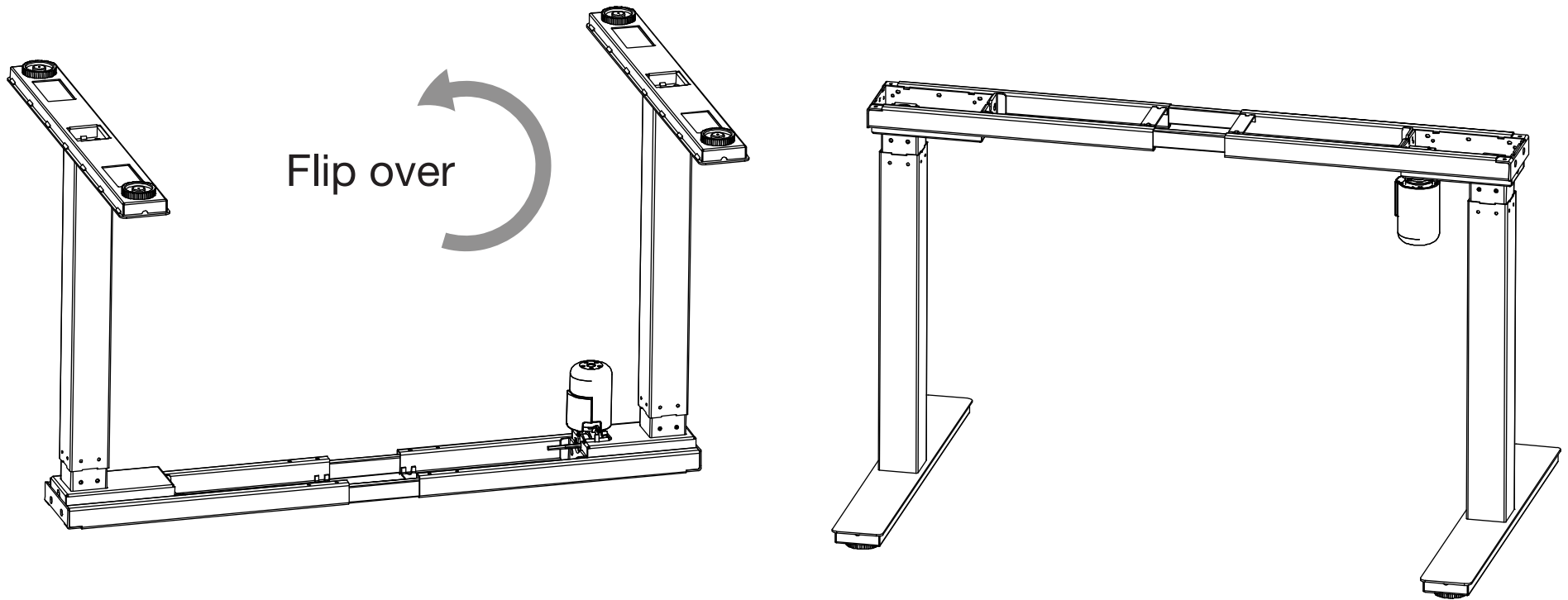
Step 3

Firmly attach the Feet (P3) onto the Legs assemblies using 4 M8*16 (P4).



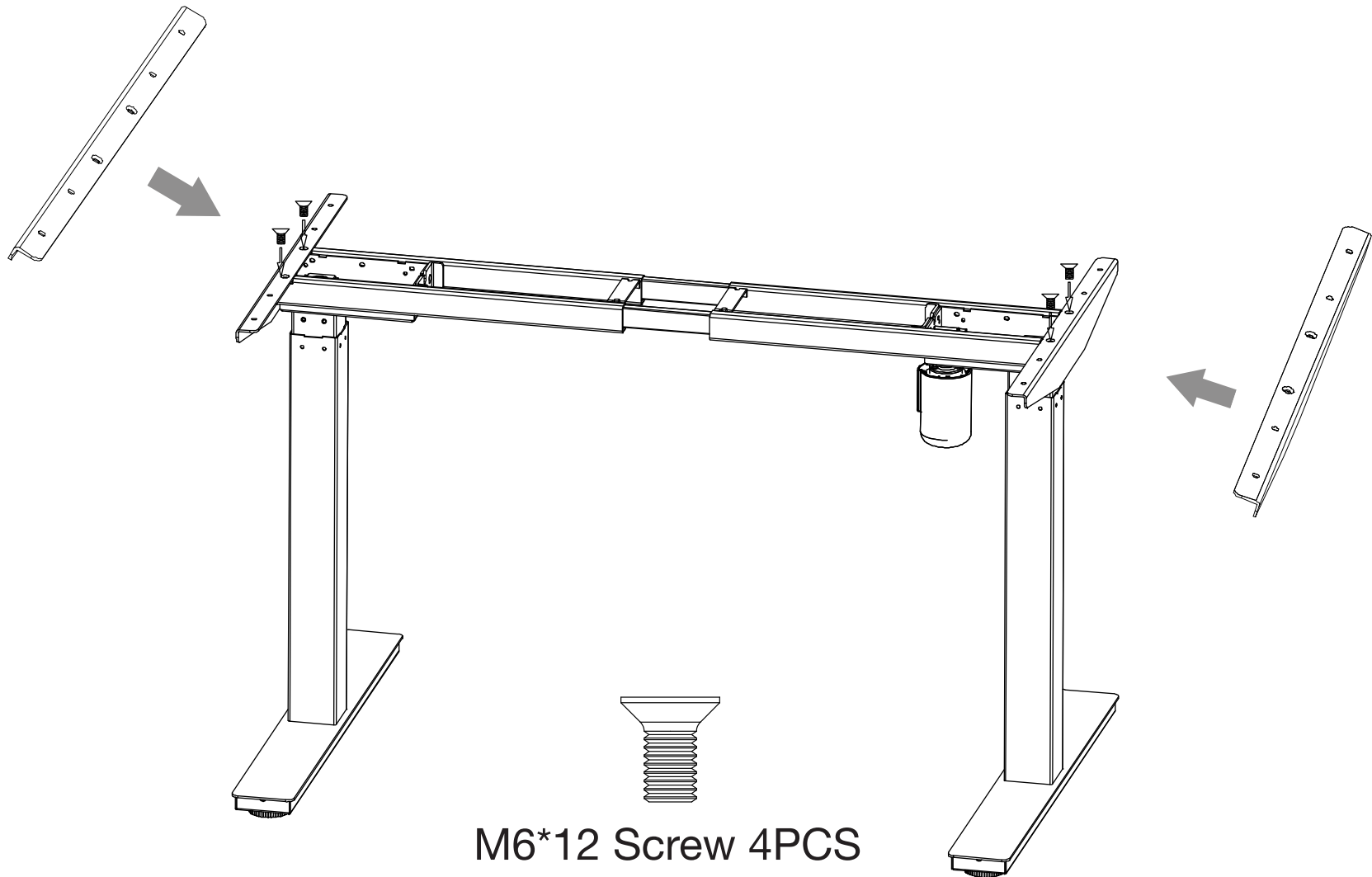
Step 4

Turn the Frame assemblies to upright position.



Step 5

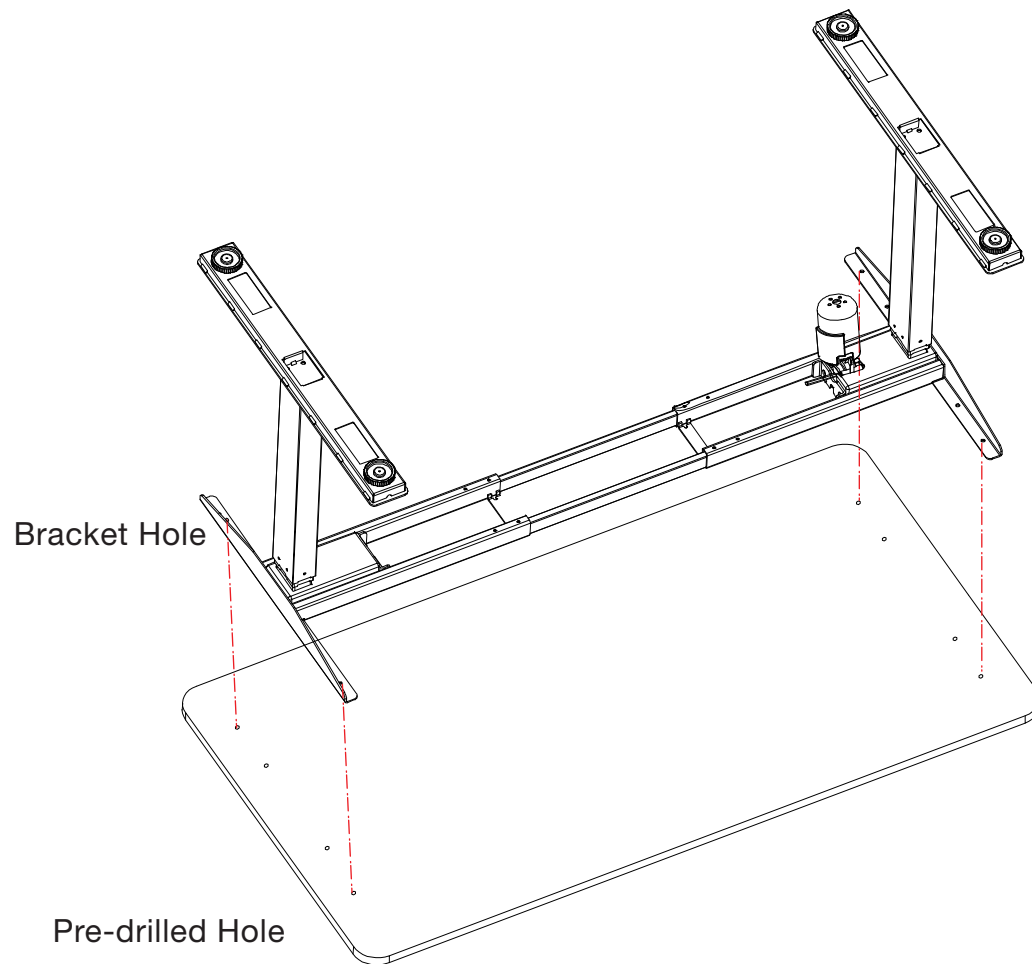
Attach two Side Brackets (P2) to either side of the Legs assemblies.
Insert four M6x12 screws (P6) into Side Brackets.



Step 6

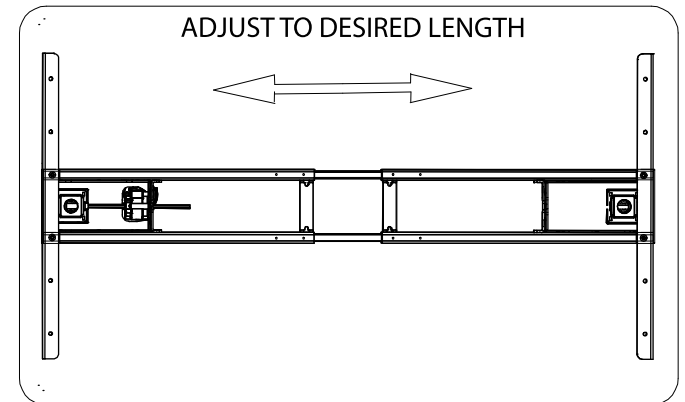
Place desktop upside down (with the top side of the desktop facing the floor) on a towel, rug, or blanket to avoid being scratched.

Line up the Side Brackets to the pre-drilled pilot holes on the Top.



**Do not attach the frame to the top
This step is for measurement only.**

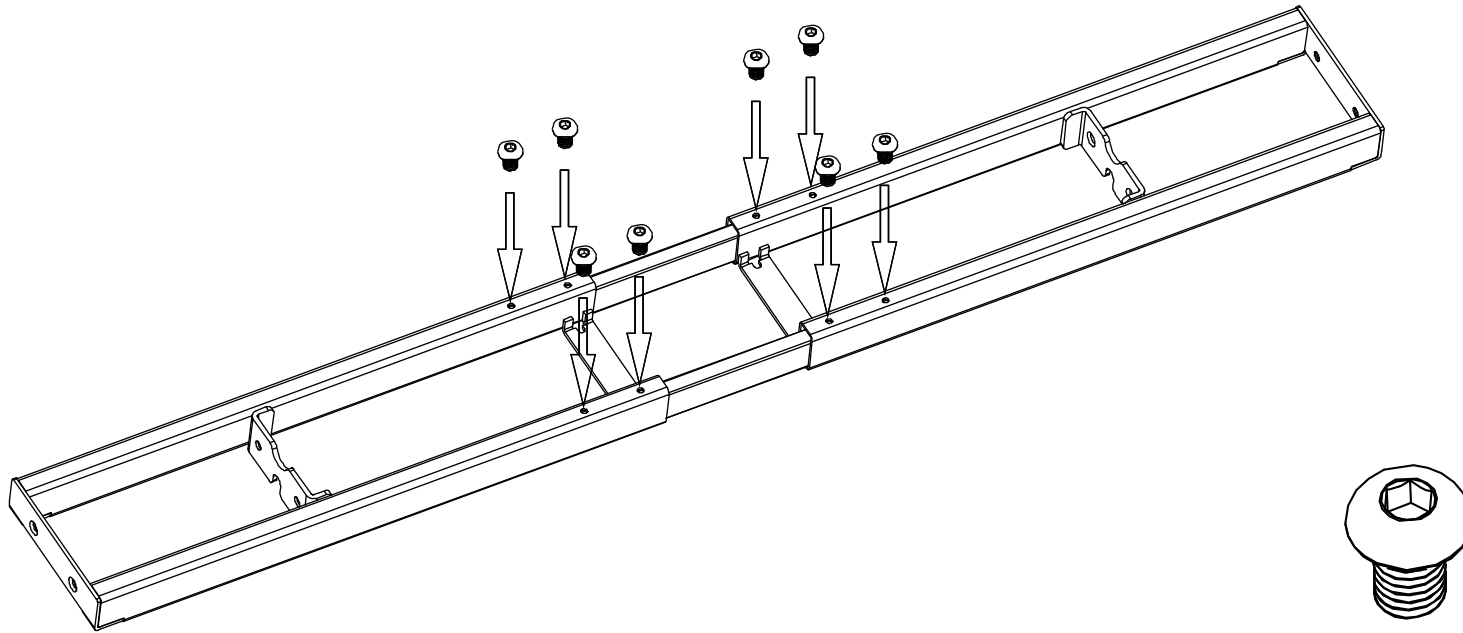
Align all Bracket Holes with Pre-drilled holes on the Top



Step 7

After measuring step, hand tighten M6x10 Screws to the frame.

NOTE: Do not firmly tighten the Screws since you may need further adjustment later.



M6*10 Screws (8pcs)

IMPORTANT

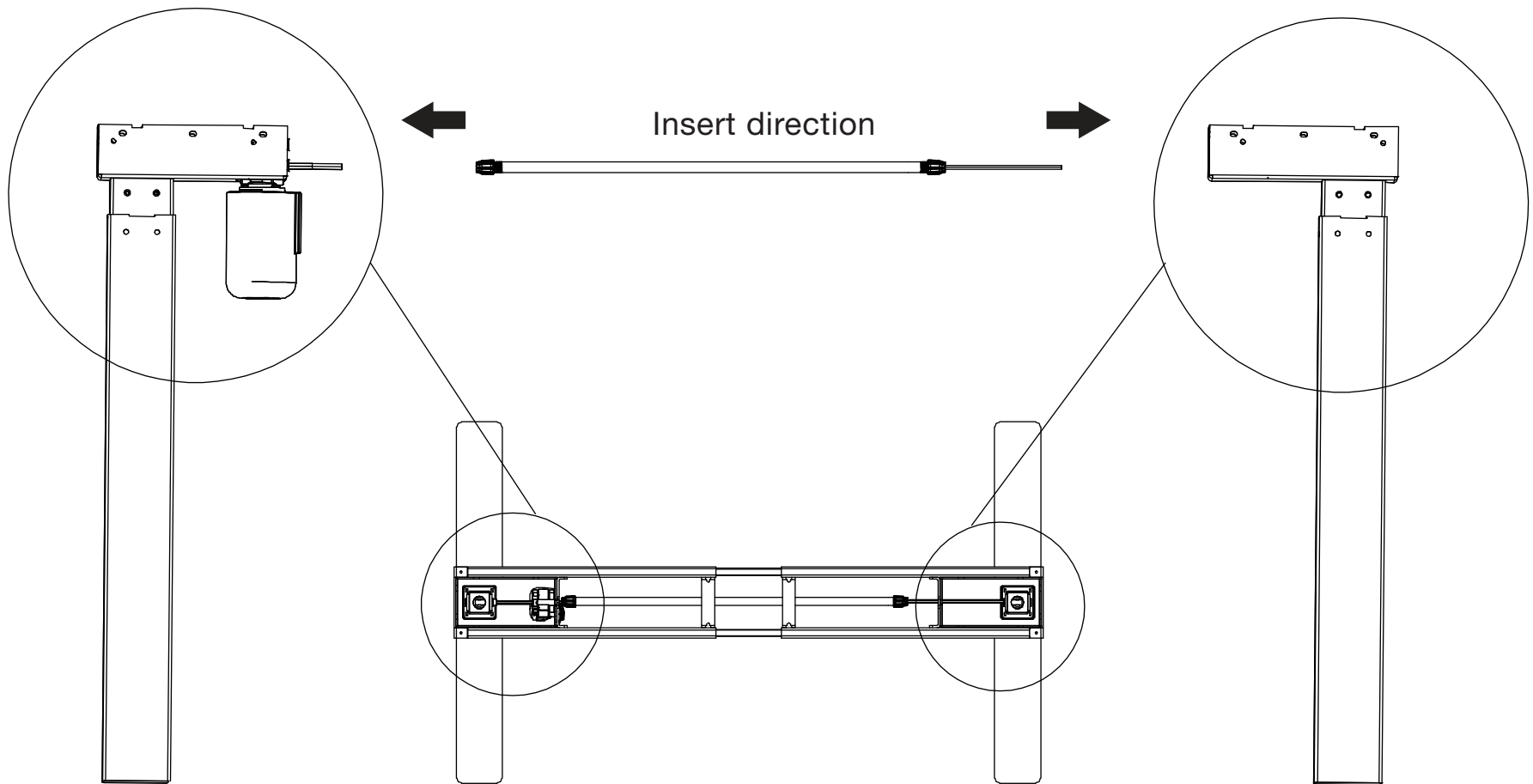
DRIVESHAFT INSTALLATION

GET TO KNOW THE FRAME

Motor Leg

Driveshaft

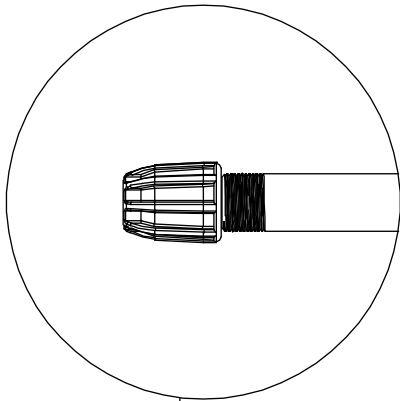
Non-Motor Leg



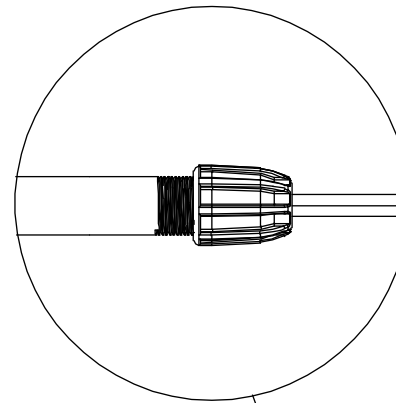
GET TO KNOW THE DRIVESHAFT

Ensure both Driveshaft and Center Rod are in good condition.

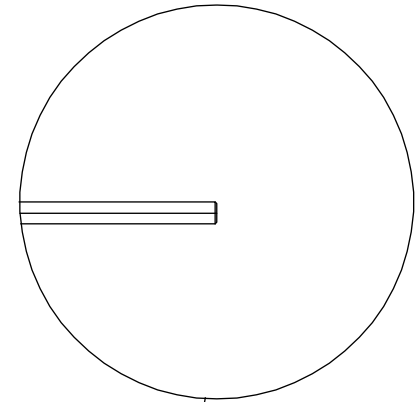
Left Nut



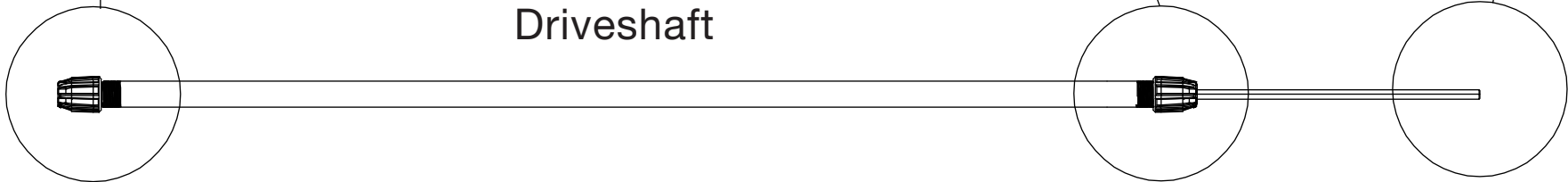
Right Nut



Center Rod



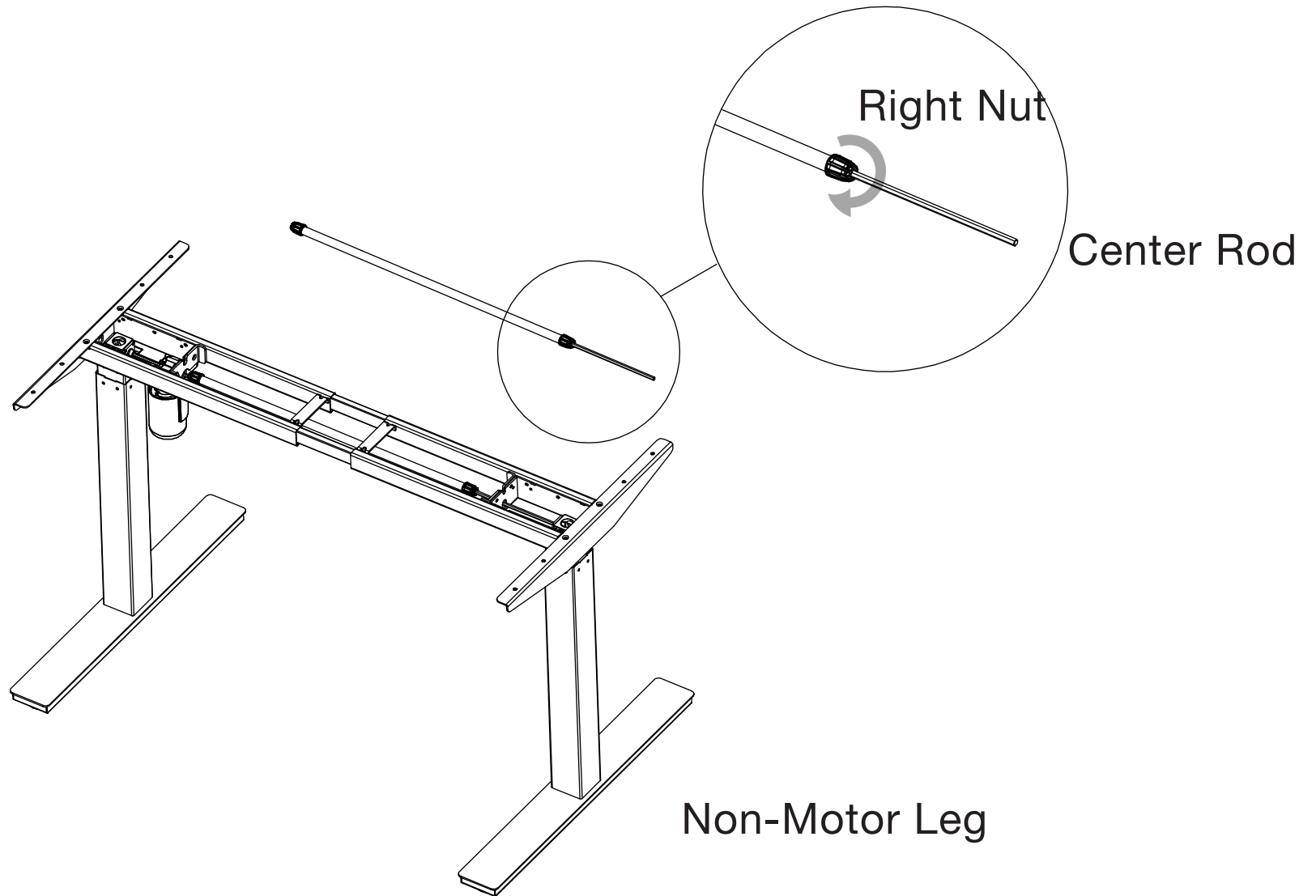
Driveshaft



Step 8

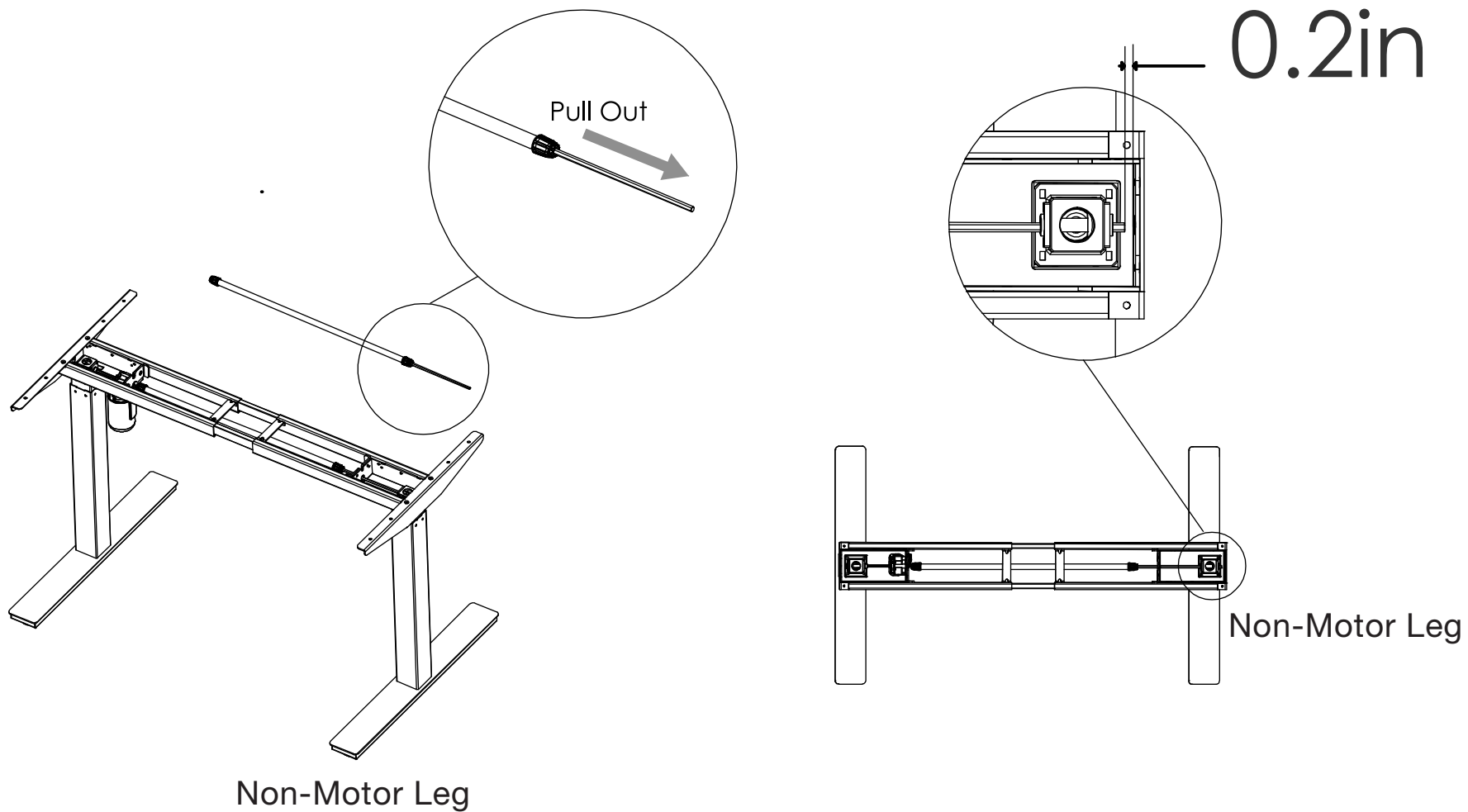
Slightly loosen the Right Nut by turning it once around.

Do not remove the Right Nut.



Step 9

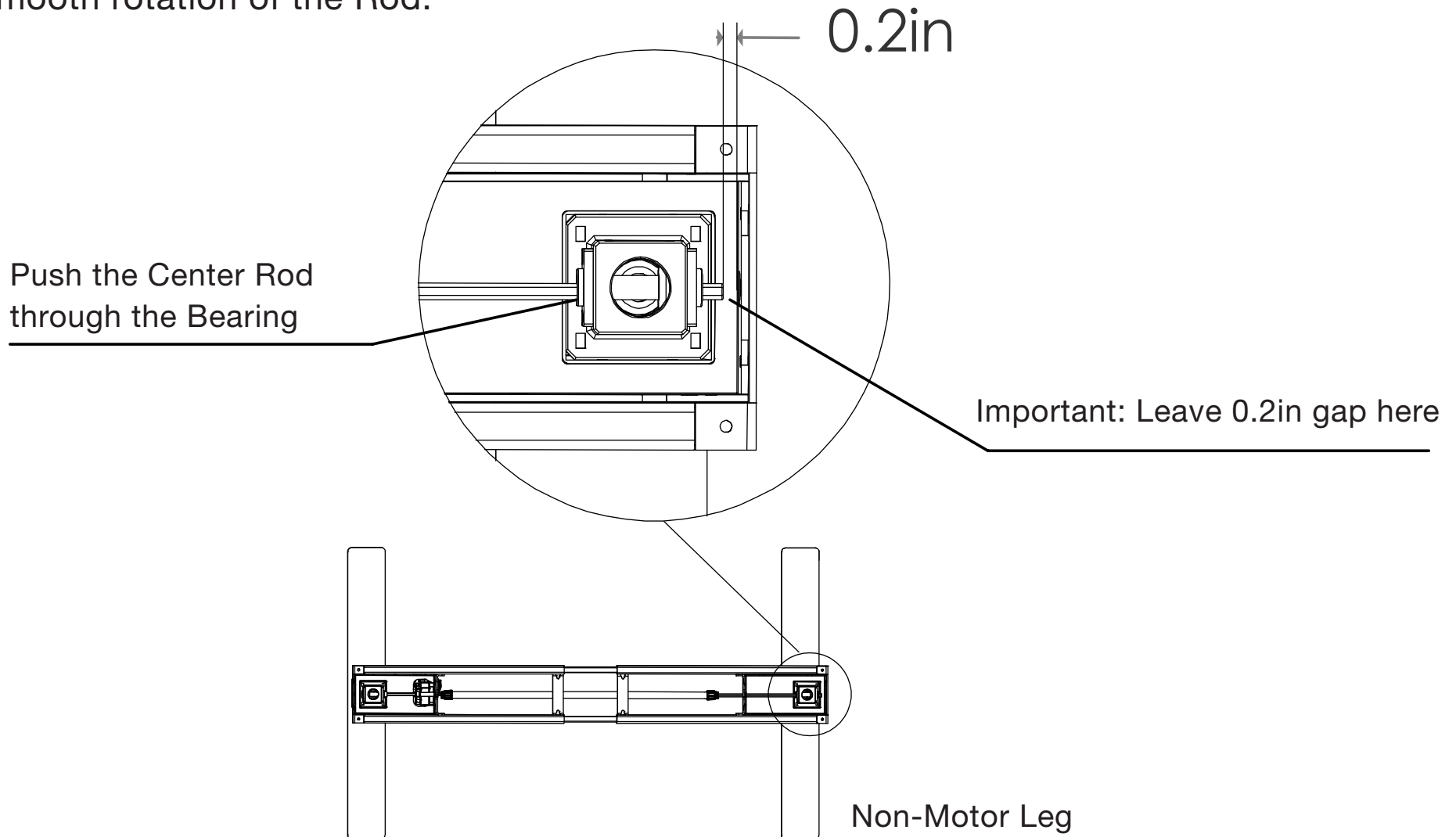
Pull the Center Rod out and insert it into the Non-Motor Leg.



Step 10

Push the Center Rod all the way in.

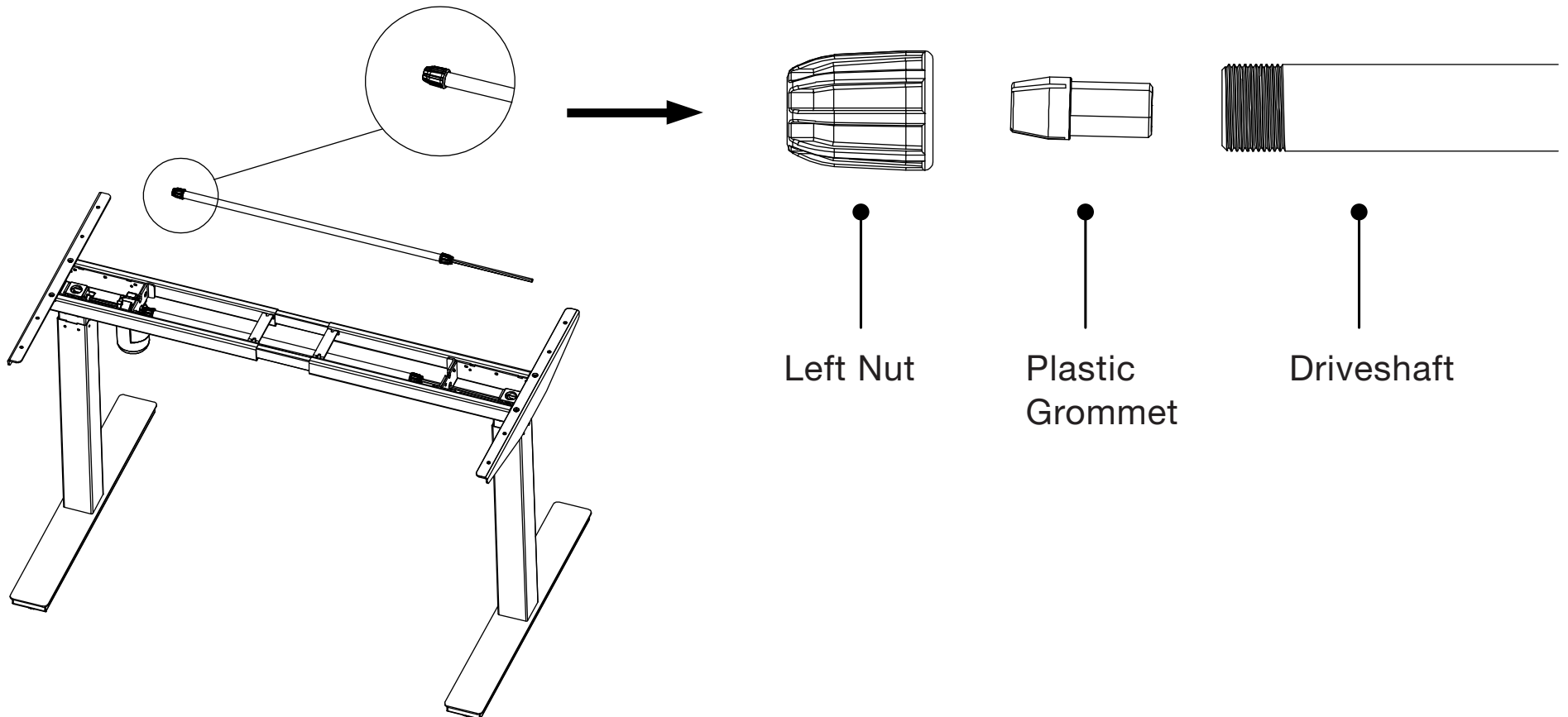
Leave a small gap (about 0.2in) between Center Rod and the Frame far wall for smooth rotation of the Rod.



Step 11

Turn the Left Nut clockwise to remove it from the Driveshaft.

Ensure the Plastic Grommet inside the Left Nut following correct direction.



Step 12

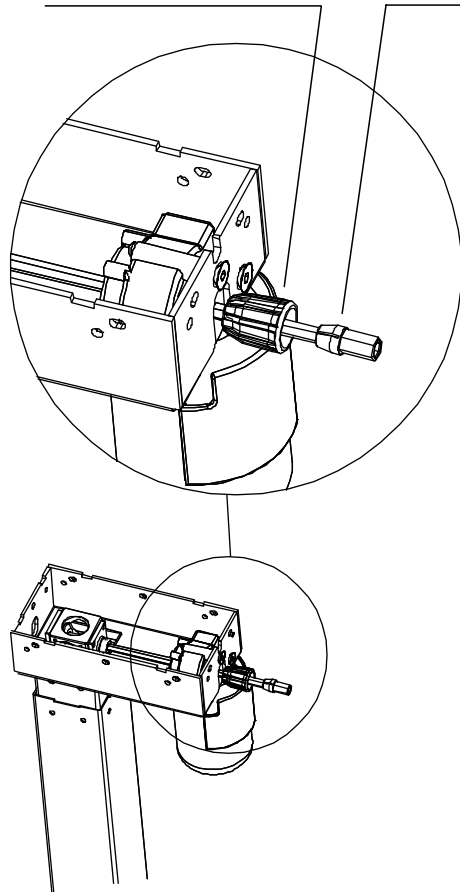
Insert the Left Nut and Plastic Grommet into the Rod on Motor Leg.

Follow the correct direction and avoid wrong position of both Left Nut and Grommet.

Correct Direction

Left Nut

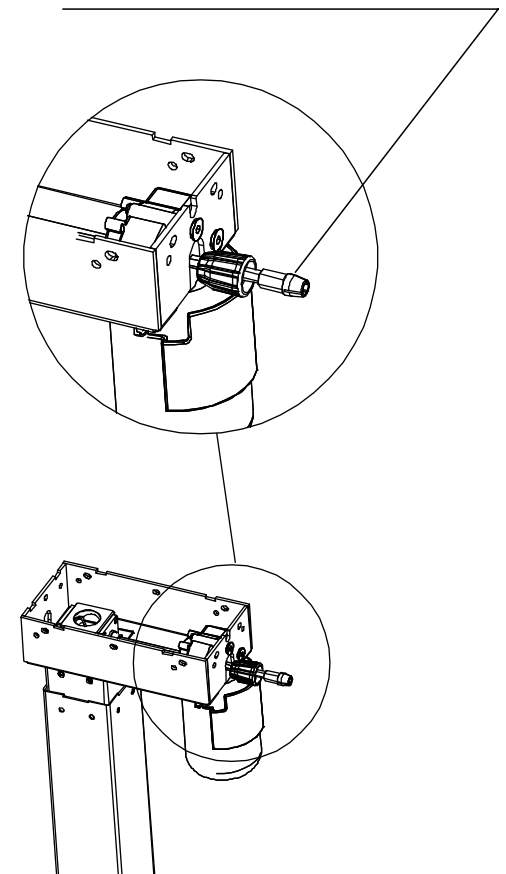
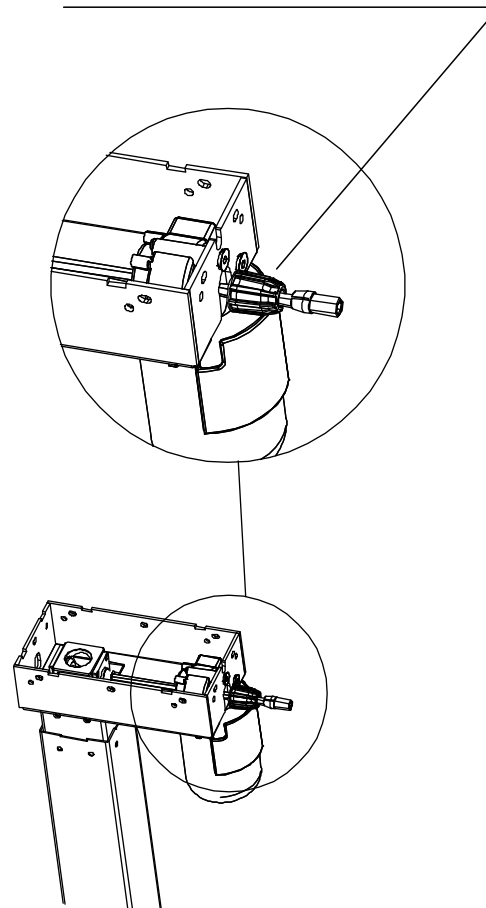
Grommet



Wrong Direction

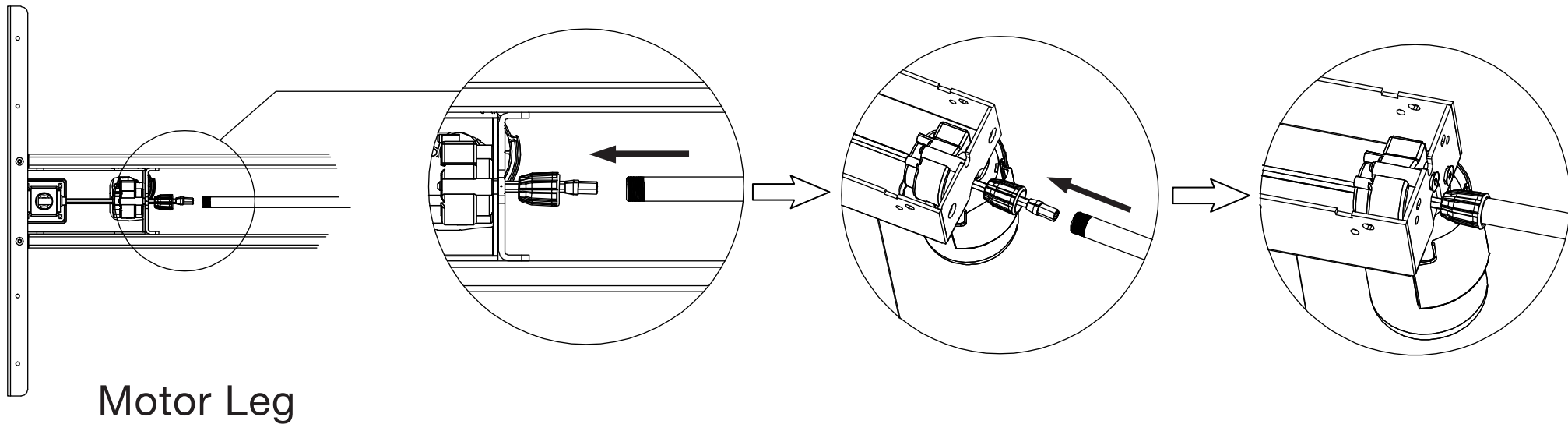
Inverse Left Nut

Inverse Grommet



Step 13

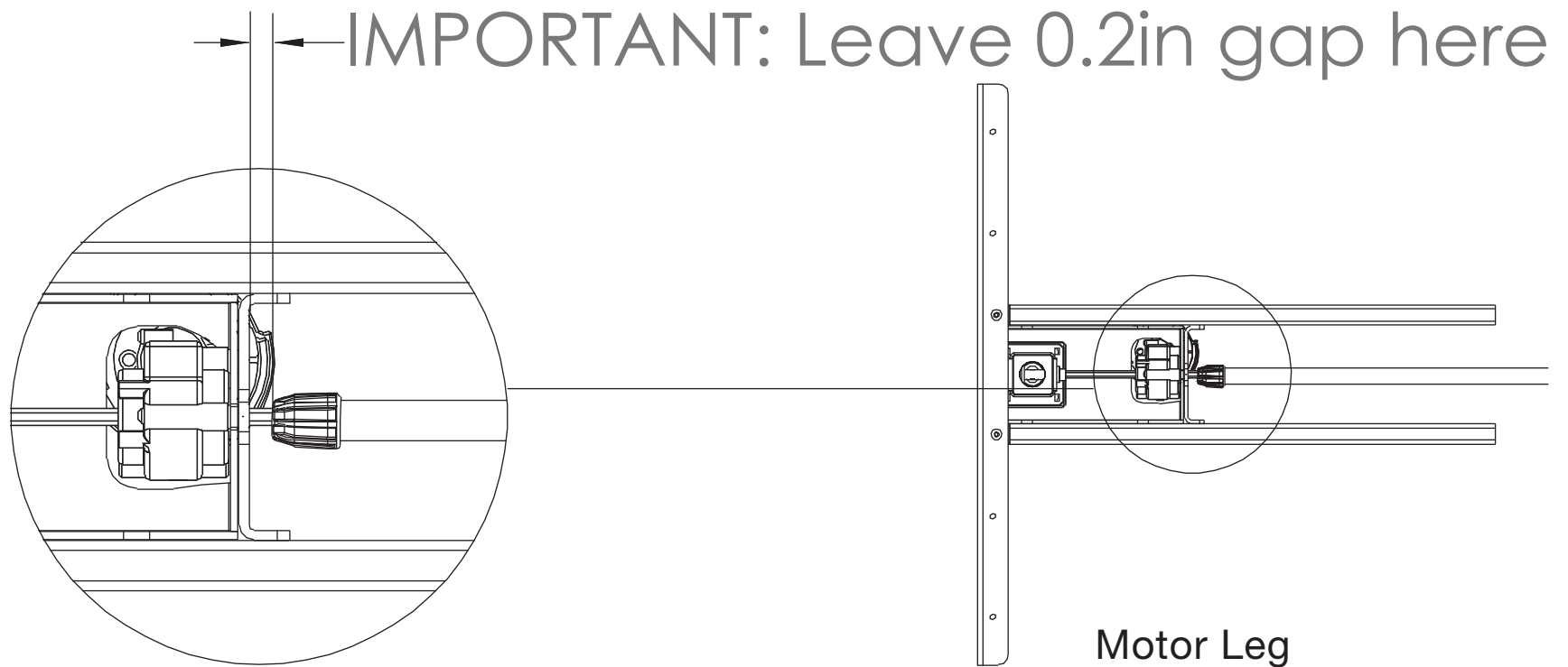
Insert the Driveshaft into the Rod on Motor Leg.
Push the Driveshaft all the way in.



Step 14

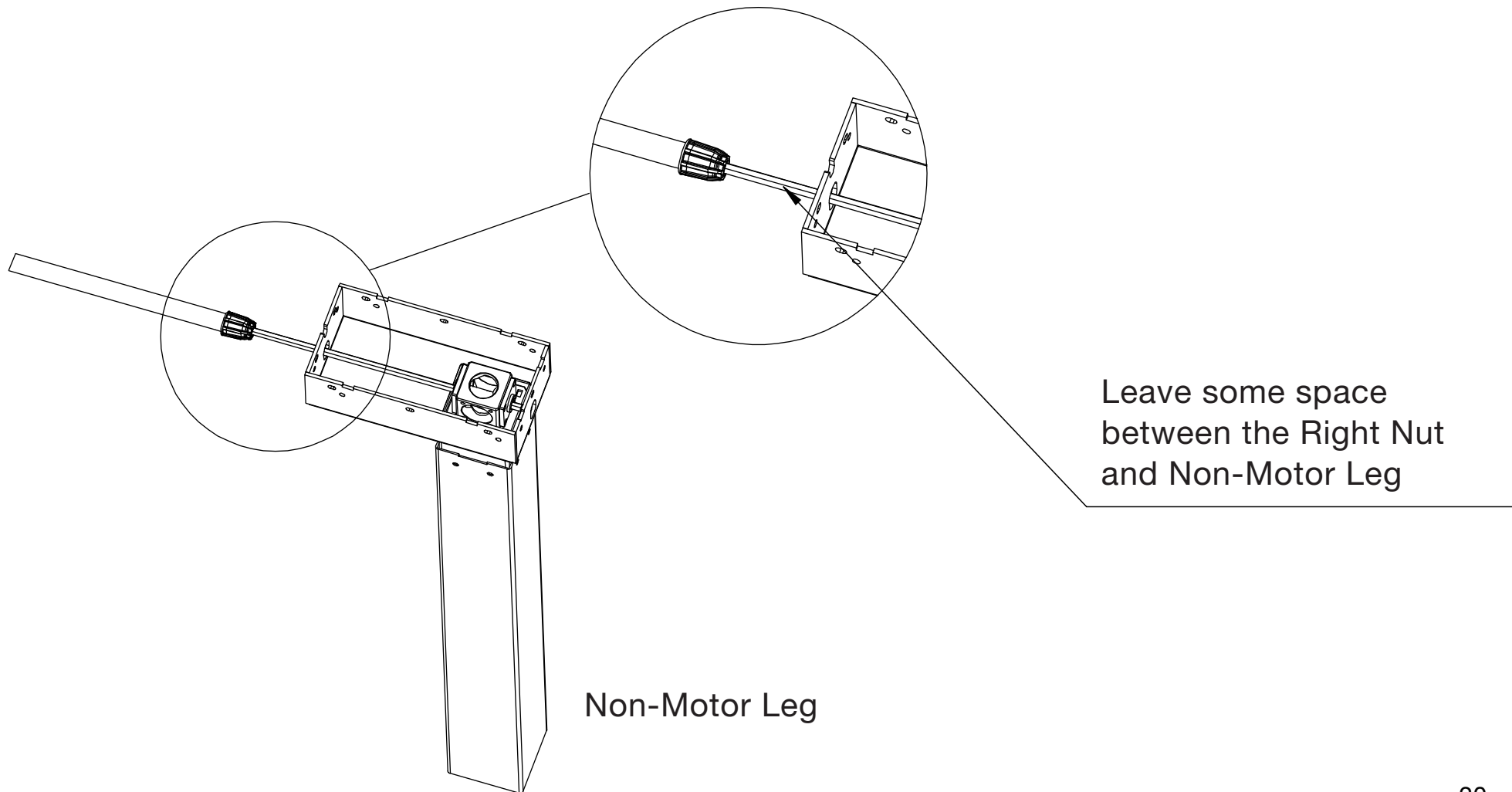
Leave a small gap (about 0.2in) between the Left Nut and the Motor Leg so they will not block the Driveshaft when it turns.

Turn the Left Nut counterclockwise to firmly lock the Driveshaft in place.



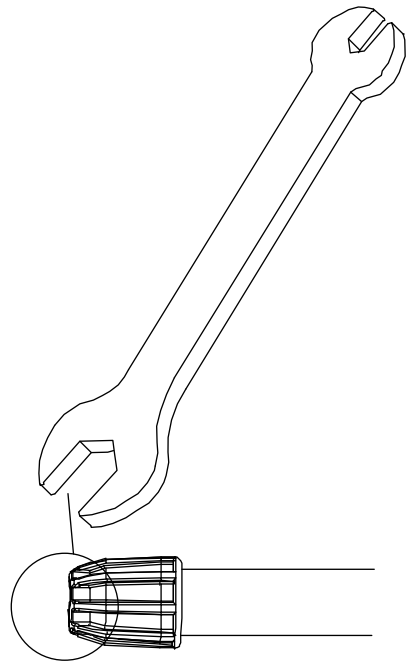
Step 15

Turn the Right Nut to lock the Driveshaft in place.
Do not let the Right Nut touch the Frame.

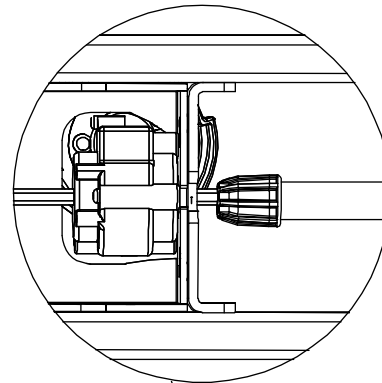


Step 16

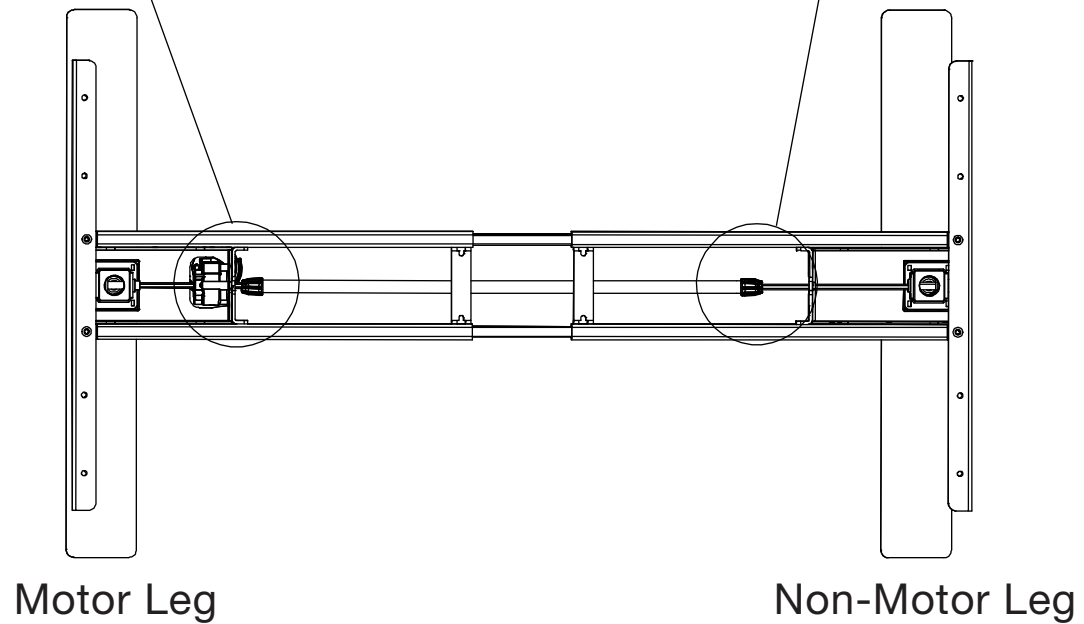
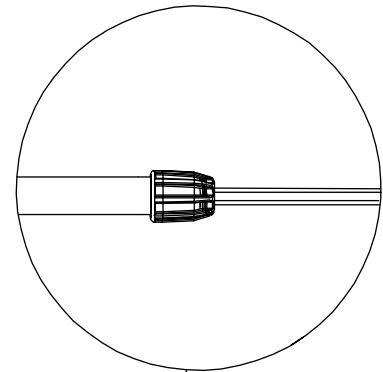
Hand tighten or use the provided Wrench to tighten both Left Nut and Right Nut.



TIGHTEN LEFT NUT



TIGHTEN RIGHT NUT

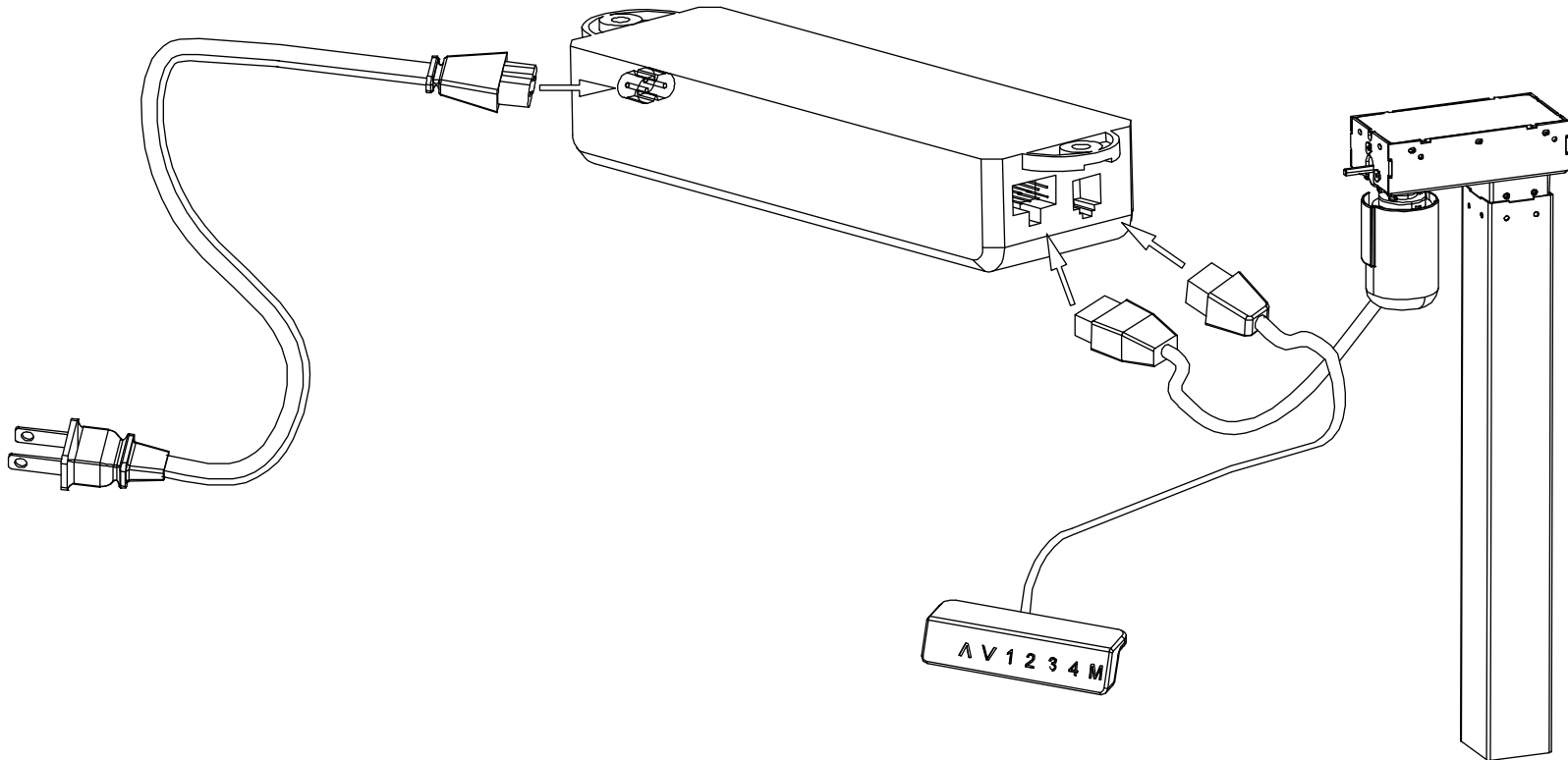


Motor Leg

Non-Motor Leg

Step 17

Connect the Control Box (P15) and Keypad (P16) to your SmartDesk.
Double check if your Driveshaft is in place before final installation.

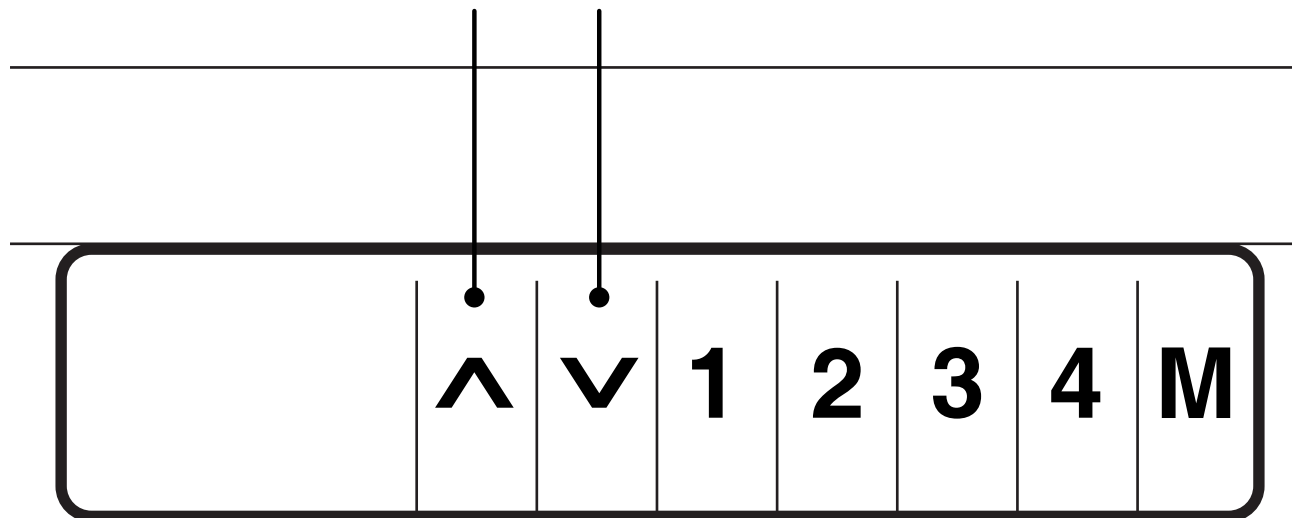


Step 18

Almost done. Turn your SmartDesk by holding both the Up and Down buttons for 20 seconds until you hear a Beep sound.

Release both buttons, then press Down button again until number shows up on the Keypad.

HOLD BOTH BUTTONS FOR 20S



IMPORTANT

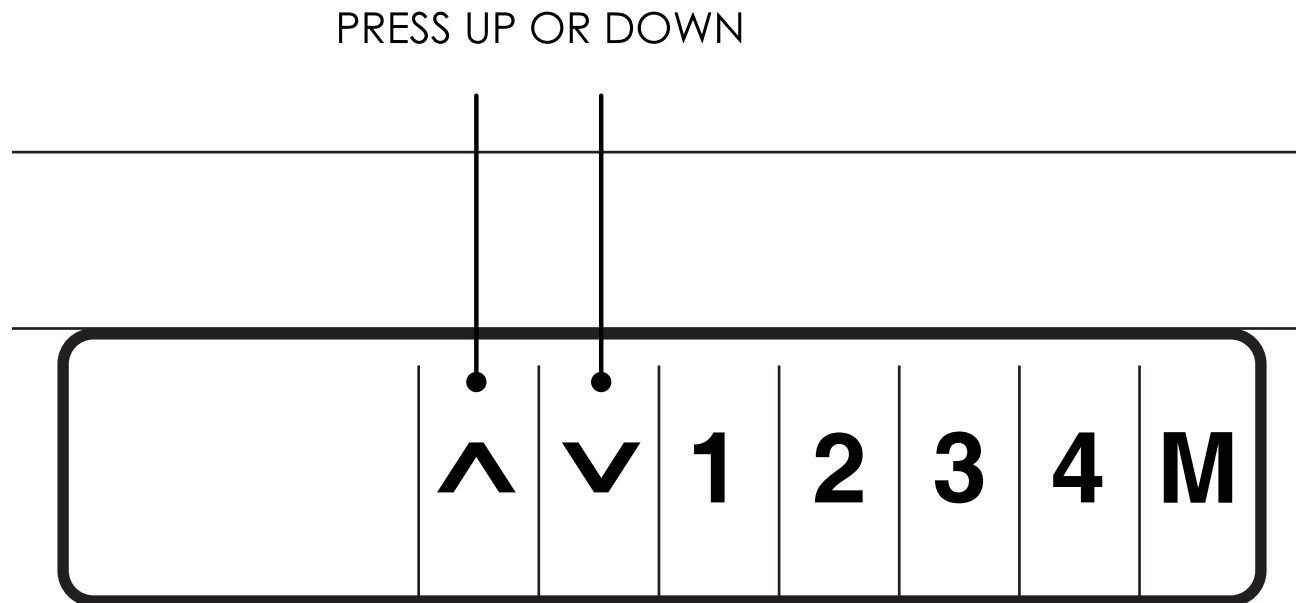
**DOUBLE CHECK YOUR
DRIVESHAFT INSTALLATION**

Check 1

Press Up to raise your SmartDesk up.

Press Down to lower your SmartDesk.

Repeat it a few times.

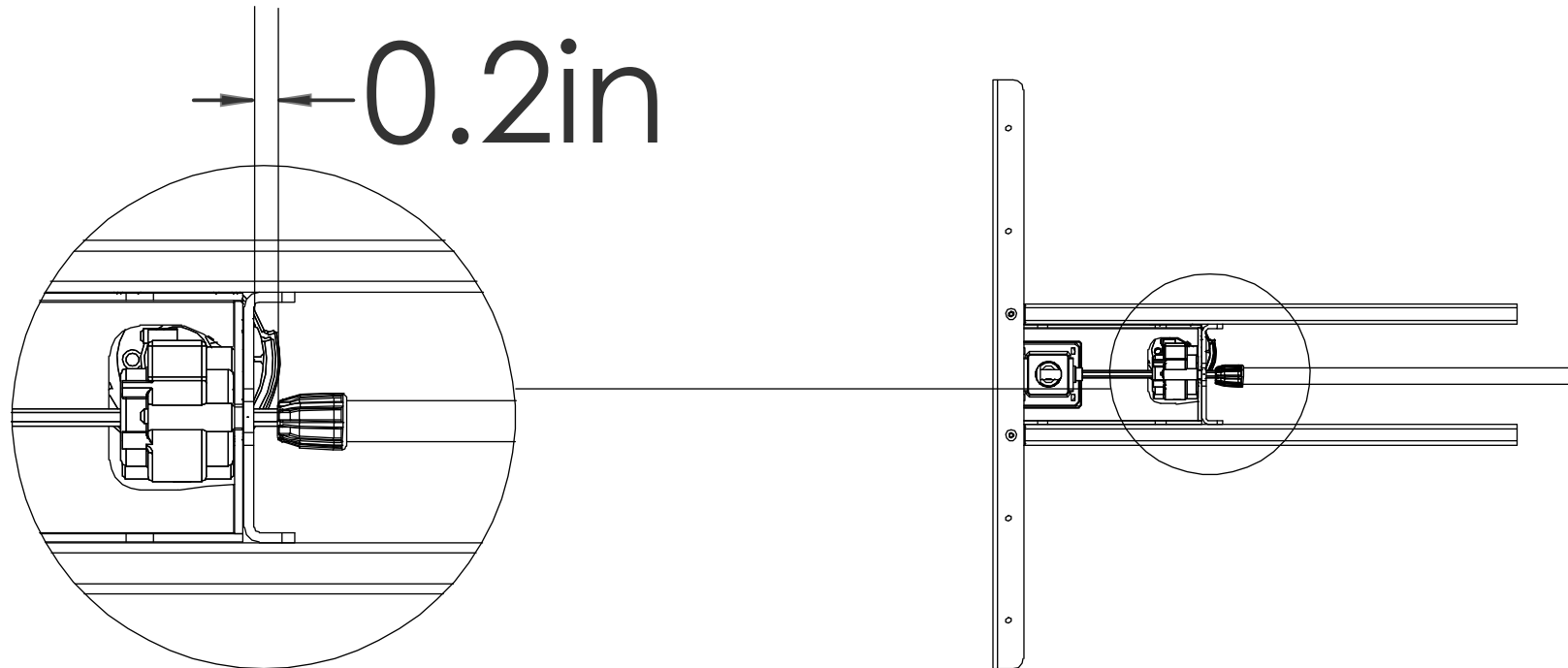


Check 2

There is a small gap (about 0.2in) between the Left Nut and the Motor Leg.

If not, adjust the Left Nut Location.

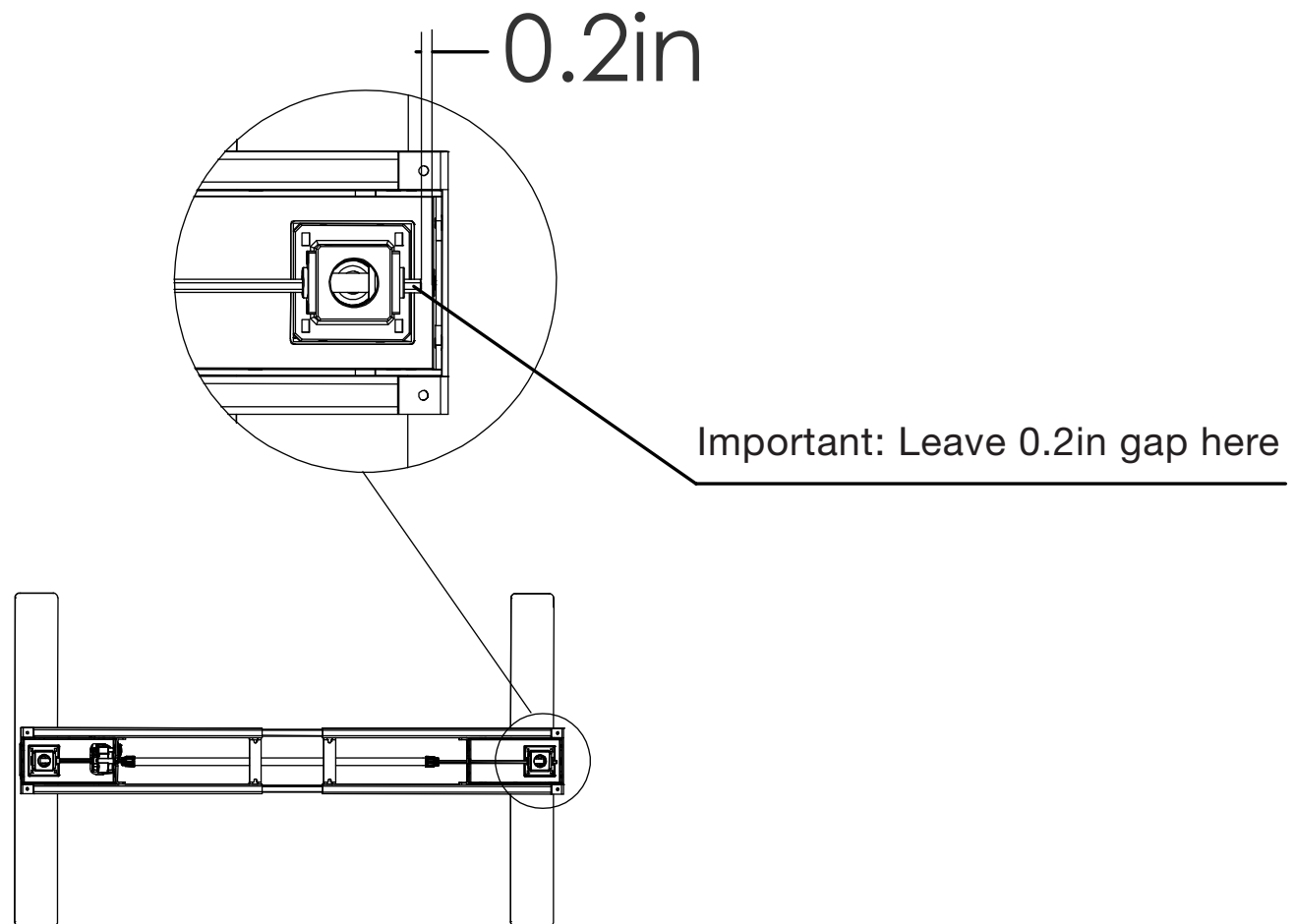
Tighten it with the Wrench.



Check 3

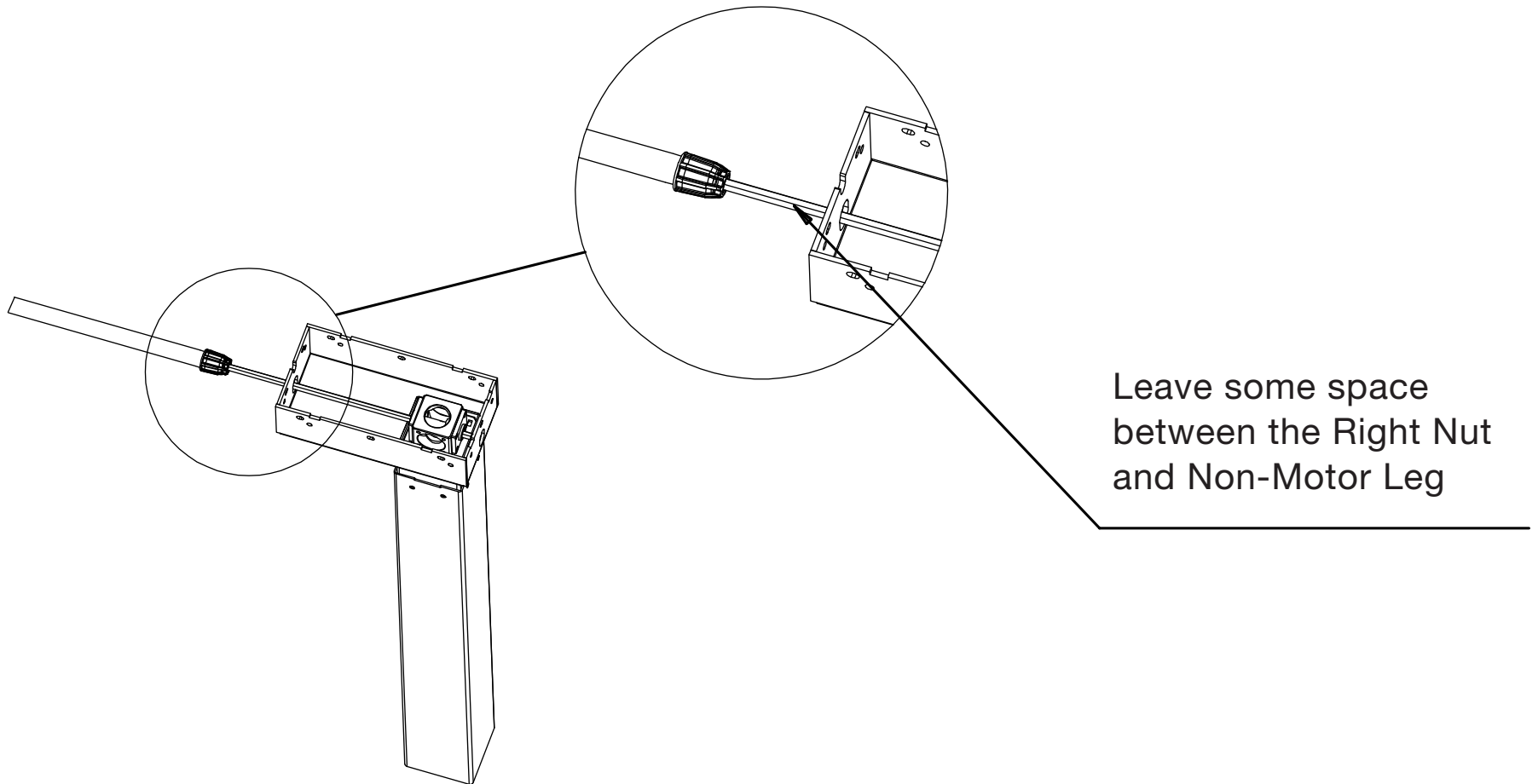
There is a small gap (about 0.2in) between the Center Rod and the wall of the Non-Motor Leg.

If not, adjust the Right Nut and Center Rod. Tighten the Right Nut with the Wrench.



Check 4

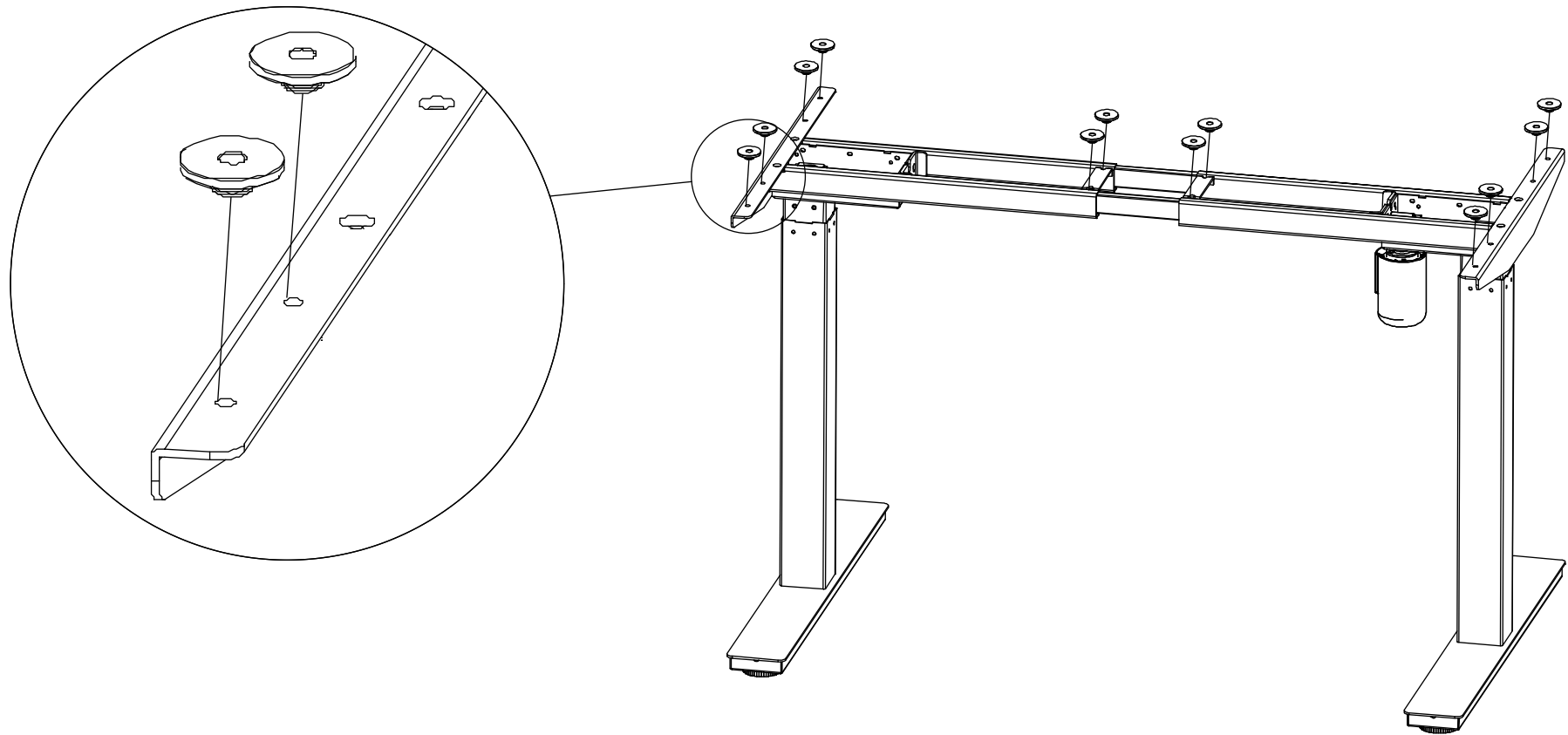
There is a gap between the Right Nut and the Non-Motor Leg.
If not, adjust the Right Nut.
Tighten it with the Wrench.



CONGRATULATIONS!
**You're now a driveshaft
installation expert!**

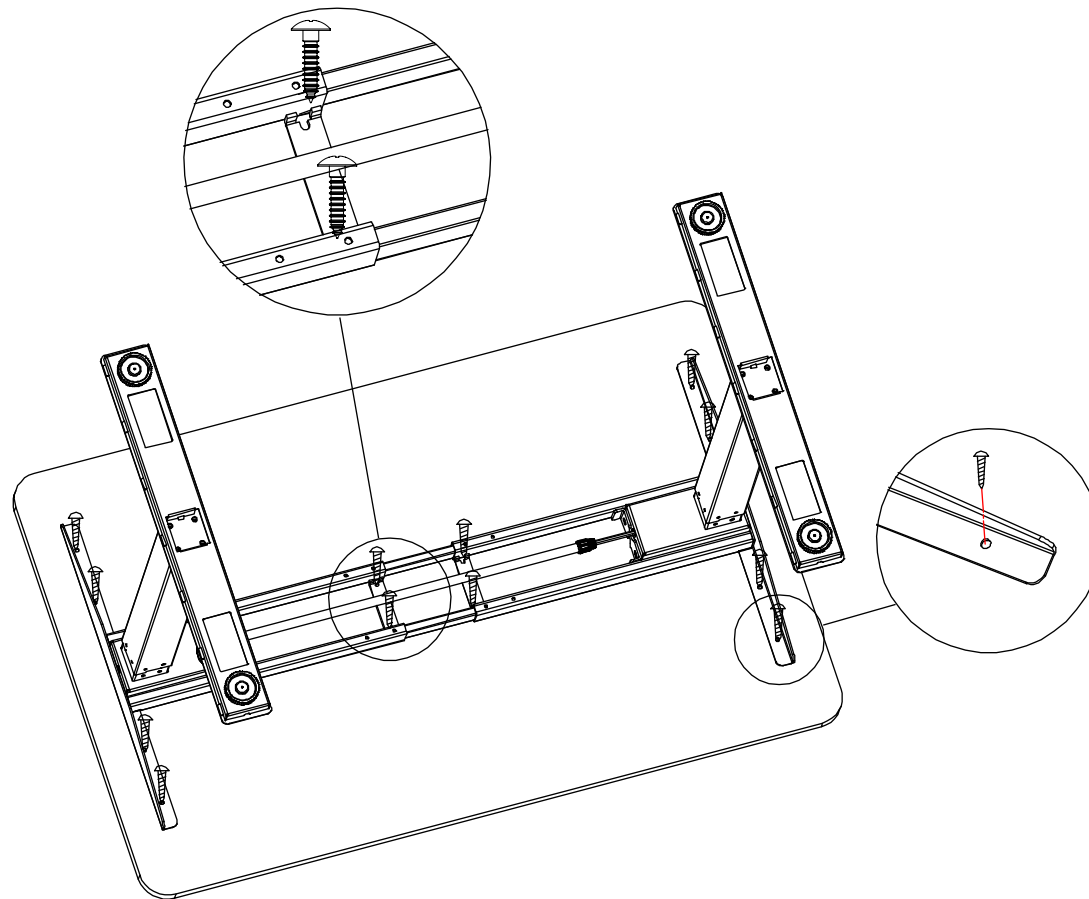
Step 19

Insert 12 Noise Pads (P14) onto 12 holes on the Crossbar Frame - 4 for each Side Bracket and 4 at the center.



Step 20

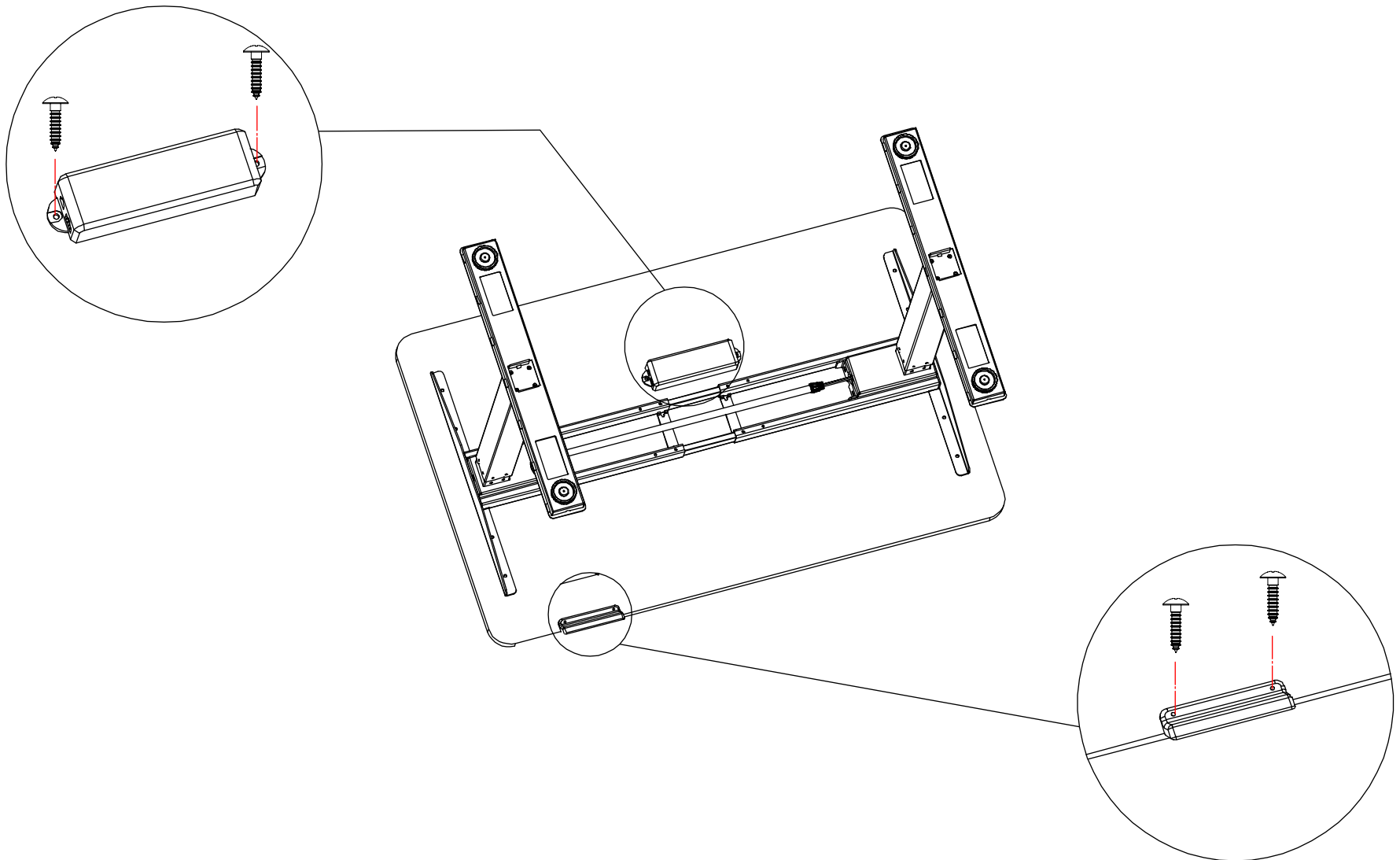
Re-adjust the frame length if needed, then tighten 8 M6x10 Screws.
Attached the frame to the Top using 12 ST4.8x19 Wood Screws
(4 on each Side Bracket & 2 on each Crossbar End).



ST4.8*19 12PCS

Step 21

Attach the Control Box and Keypad to the bottom of the table Top using two ST4.8x19 and two ST3.5x19 Wood Screws.



OPERATION GUIDE

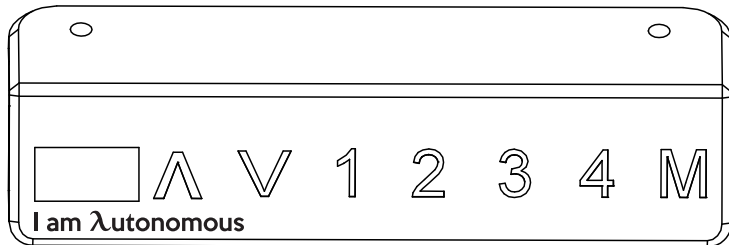
1. Adjust SmartDesk's height

Press “Up” or “Down” button to adjust the height of the desk

2. Program pre-set buttons:

To use the presets on the smartdesk, please follow steps:

- Set the desk to the height you like
- Press the M button until the LED flashes
- Press the number you want the desk set to.



3. Reset the desk

- Unplug the power cord to the control box
- Unplug the cable from the key pad to the control box
- Plug all the cables again
- Do the reset: press up and down button at the same time until it beeps and goes down to the lowest level. Release both buttons, then press only down until it shows the exact height.

Your desk is ready to use