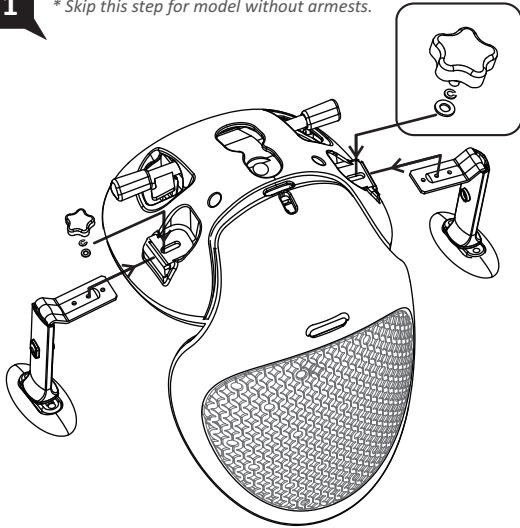
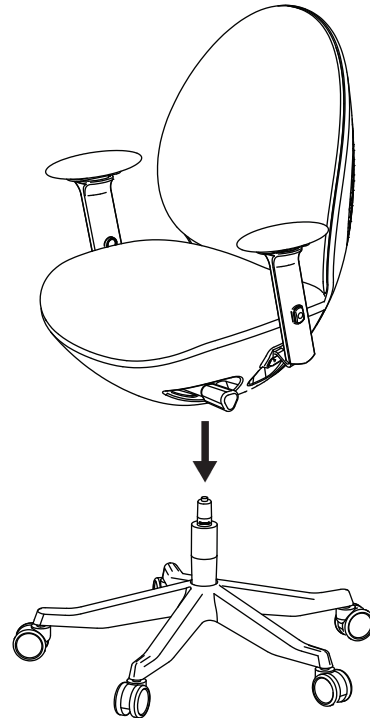
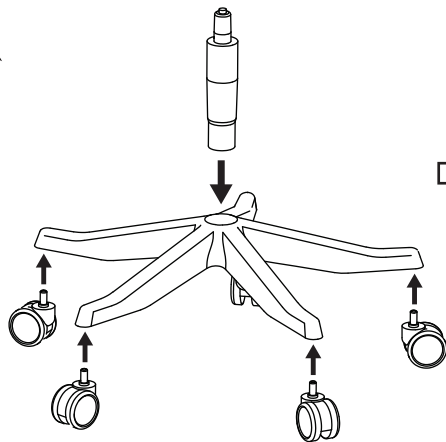


Assembly Instruction

1 *Skip this step for model without armrests.



2



User Instruction

- A Seat Height Adjustable**
Flip up the right-hand side lever to raise or lower the seat. Adjust until your feet are adequately supported on the floor.
- B Multi-Position Tilt Lock**
Recline to desired position then turn the left-hand side lever clockwise to lock and vice-versa to release tilt-lock.
- C Tilt Tension Control**
Turn the right-hand side lever clockwise to strengthen and vice-versa to loosen the tilt tension. Adjust until your back is adequately supported when you recline.

- D Armrest Height**
Press the button then raise or lower the armrest. Adjust until your elbows are adequately supported to take strain off your shoulders.
- E Armrest Depth**
Grasp the armpads then push them forwards or backwards to suit your arm support.
- F Armpad Angle**
Grasp the armpads then rotate them inwards or outwards. The inward position is recommended during your using keyboard. For mouse using, outward position is recommended.

Autonomous AvoChair

